



Rexnord Conveyor Components

2015 North America

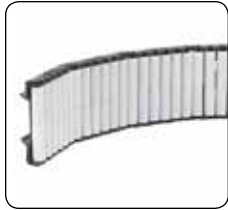
Table of Contents

| | |
|---|----------------|
| Product Index | ii-vii |
| Introduction | viii |
| Product Handling Components | 1-60 |
| Product Guides | 1-28 |
| Guide Rail Clamps | 29-41 |
| Guide Rail Brackets | 42-58 |
| Connecting Clamps | 59, 60 |
| Chain Guide Components | 61-70 |
| Chain Guide Profiles | 61-67 |
| Rollers for Chain Return | 68-70 |
| Frame Support Components | 71-76 |
| Miscellaneous | 71 |
| Bearing Heads | 72 |
| Side Mounting Top Brackets | 73 |
| Connecting Joints | 74 |
| Support Base | 75, 76 |
| Roller Conveyor Components | 77-82 |
| Roller End Bearings | 77-81 |
| Roller for Chain Return | 82 |
| Miscellaneous Components | 83-96 |
| Line Control Elements | 83 |
| Tightening Elements | 84-89 |
| Shaft Collars | 90 |
| Modular Transfer Plate | 91, 92 |
| Modular Nose-Over Bar | 93-95 |
| Hinge | 96 |
| Supporting & Leveling Elements | 97-110 |
| Tube End | 97-99 |
| Articulated Feet | 100-110 |
| Index | 111-116 |

Product Index

| | | | | | |
|--|---|---|--|---|---|
|  |  |  |  |  |  |
| Round Guide Rail • Page 1 | Flat Guide Rail • Page 1 | Convex Guide Rail • Page 2 | Wide Flat Guide Rail • Page 2 | Round Guide Rail – Static Dissipative • Page 3 | Flat Guide Rail – Static Dissipative • Page 3 |
|  |  |  |  |  |  |
| Convex Guide Rail – Static Dissipative • Page 4 | Wide Flat Guide Rail – Static Dissipative • Page 4 | 0.75in Tee Guide Rail • Page 5 | 1in Tee Guide Rail • Page 5 | 1.25in Tee Guide Rail • Page 6 | 1.60in Tee Guide Rail • Page 6 |
|  |  |  |  |  |  |
| 2.25in Tee Guide Rail • Page 7 | 0.75in Tee Guide Rail – Static Dissipative • Page 7 | 1in Tee Guide Rail – Static Dissipative • Page 8 | 1.25in Tee Guide Rail – Static Dissipative • Page 8 | 1.60in Tee Guide Rail – Static Dissipative • Page 9 | 2.25in Tee Guide Rail – Static Dissipative • Page 9 |
|  |  |  |  |  |  |
| Round Guide Rail – Solid • Page 10 | Flat Guide Rail – Solid • Page 10 | Convex Guide Rail – Solid • Page 11 | Wide Flat Guide Rail – Solid • Page 11 | 20mm Tee Guide Rail – Solid • Page 12 | 1in Tee Guide Rail – Solid • Page 12 |
|  |  |  |  |  |  |
| 1.25in Tee Guide Rail – Solid • Page 13 | 1.60in Tee Guide Rail – Solid • Page 13 | 2.25in Tee Guide Rail – Solid • Page 14 | Round Guide Rail – Solid – Static Dissipative • Page 14 | 1.25in Tee Guide Rail – Solid – Static Dissipative • Page 15 | Aluminum and UHMWPE Guide Rails – Half Round • Page 15 |
|  |  |  |  |  |  |
| Combination Group B • Page 16 | Combination Group C • Page 17 | Combination Group D • Page 17 | Center Roller Guide • Page 17 | Center Roller Guide Divider Module • Page 18 | Roller Side Guide – 580 • Page 18 |

Product Index



Roller Side Guide – 581 • Page 19



Stainless Steel M Profile • Page 19



Pearl™ Roller Side Guide – 1 Side 1 High • Page 20



Pearl™ Roller Center Guide – 2 Side 1 High • Page 21



Pearl™ Roller Side Guide – 1 Side 2 High • Page 22



Pearl™ Roller Center Guide – 2 Side 2 High • Page 23



Connecting Bar • Page 24



Pearl™ Roller Side Guide Module • Page 24



Roller Guide Separation Block – 852 • Page 24



Roller Guide Separation Block – 854 • Page 25



FastRail Corner Clip • Page 25



Spacer – 291 • Page 26



Spacer – 292 • Page 26



Rod Mounts With Knob – 641-K • Page 27



Rod Mounts With Nut – 641-N • Page 27



Rod Mounts With Knob – 641T-K • Page 28



Rod Mounts With Nut – 641T-N • Page 28



Rod Mounts With Ratchet Handle – 641T-R • Page 28



Single Rail Clamp – Round Hole • Page 29



Single Rail Clamp – Square Hole • Page 29



Double Rail Clamp – Round Hole • Page 29



Double Rail Clamp – Square Hole • Page 30



Double Rail Clamp – Square Hole 3in • Page 30



Rail Clamp & Metal Rod Combination • Page 31



Rail Clamp for Rod or Flat Bar • Page 31



Rod Clamp for Rod or Flat Bar • Page 32



Adjusting Rods – Grooved • Page 32



Jointed Adjusting Rod – Grooved • Page 33



Rod End For Guide Rail • Page 33



Splice Sleeves • Page 34



ViseSplice™ • Page 34



ViseSplice™ With Knobs • Page 35



ViseClamp™ • Page 35



Aluminum Compression Clip • Page 36



Backing Plate • Page 36

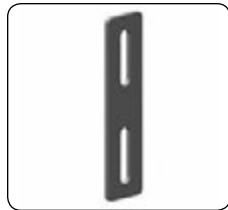


Plastic Compression Clip • Page 36

Product Index

| | | | | | |
|--|---|---|---|---|--|
| | | | | | |
| <i>Clamp and Metal Rod Combination for Round Rod • Page 37</i> | <i>Guide Rail Clamp For Round Rods • Page 37</i> | <i>Adjusting Rods – Tapped – 1/2in • Page 38</i> | <i>Adjusting Rods – Tapped – 5/8in • Page 39</i> | <i>Jointed Adjusting Rod – Tapped • Page 40</i> | <i>Jointed Rod Adaptor • Page 40</i> |
| | | | | | |
| <i>Support Rods With Caps • Page 41</i> | <i>Heavy Duty Guide Rail Bracket with Eyebolt – 221 • Page 42</i> | <i>Bracket Body – 203L • Page 42</i> | <i>Guide Rail Bracket with Stainless Swivel Head – 203LHS • Page 43</i> | <i>Guide Rail Bracket with Swivel Head – 203LTC • Page 43</i> | <i>Swivel Cap Assembly – 13129V • Page 44</i> |
| | | | | | |
| <i>Swivel Cap Assembly – 203HTS • Page 44</i> | <i>Guide Rail Bracket with Eyebolt – 210 • Page 45</i> | <i>Swivel Cap Assembly – 202HS • Page 45</i> | <i>Swivel Cap Assembly – 203HS • Page 46</i> | <i>Swivel Cap Assembly – 203TC • Page 46</i> | <i>T-Clamp With Eyebolt • Page 47</i> |
| | | | | | |
| <i>Lower Conveyor Bracket – Type 1 • Page 47</i> | <i>Lower Conveyor Bracket – Type 2 • Page 48</i> | <i>Lower Conveyor Bracket – Type 3 • Page 48</i> | <i>Upper Conveyor Bracket – Type A • Page 49</i> | <i>Upper Conveyor Bracket – Type B • Page 49</i> | <i>Upper Conveyor Bracket – Type C • Page 50</i> |
| | | | | | |
| <i>Bracket With Eyelet and Nut – 253N • Page 50</i> | <i>Bracket With Hex Head Bolt – 253B • Page 51</i> | <i>Bracket With Hex Hand Knob – 253K • Page 51</i> | <i>Spacer – 293 • Page 52</i> | <i>Heavy Duty Stainless Steel Bracket With Knob • Page 52</i> | <i>Heavy Duty Stainless Steel Bracket With Nut • Page 52</i> |
| | | | | | |
| <i>Long Angle Bracket – Double Slot • Page 53</i> | <i>Standard Angle Bracket – Single Slot • Page 53</i> | <i>Standard Angle Bracket – Double Slot • Page 54</i> | <i>Long Angle Bracket – Single Slot • Page 54</i> | <i>Standard Metal “L” Bracket Assemblies • Page 55</i> | <i>Fixed Guide Rail Bracket • Page 56</i> |

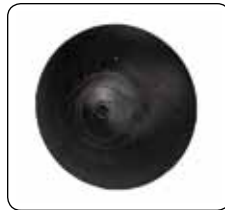
Product Index



Adjustable Support Bar • Page 56



Adjusting Rod Protective Caps • Page 56



Adjusting Rod Safety Caps • Page 57



Mounting Bars • Page 57



Cross Block with Quick-Set • Page 58



Cross Clamp with Ratchet Handle Clamping – Square Bore • Page 58



Heavy Duty Cross Blocks • Page 59



Stainless Steel Cross Blocks • Page 59



Light Duty Cross Block • Page 60



Cross Block • Page 60



EII Tee Edge Guide • Page 61



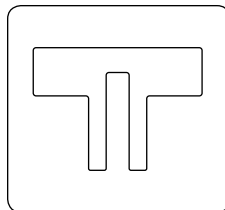
Tab Guide • Page 61



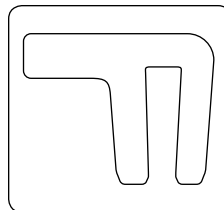
Chain Guide Profile – 367 • Page 62



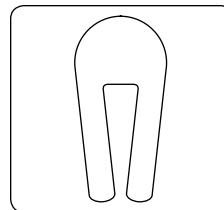
Chain Guide Mounting Block • Page 62



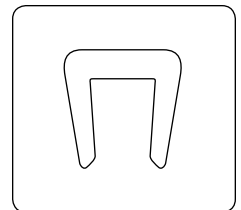
Bar Caps • Page 63



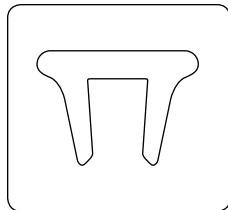
Bar Caps • Page 63



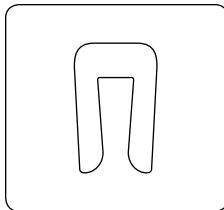
Bar Caps • Page 63



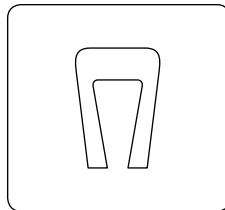
Bar Caps • Page 63



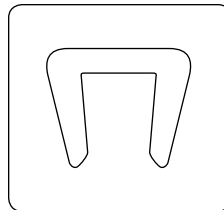
Bar Caps • Page 64



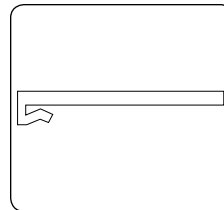
Bar Caps • Page 64



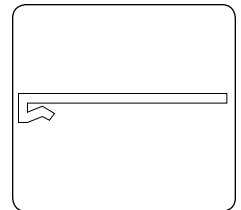
Bar Caps • Page 64



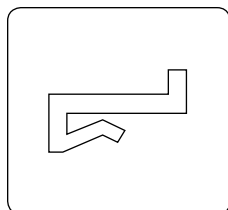
Bar Caps • Page 64



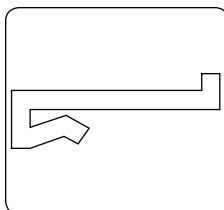
J-Leg Profiles • Page 65



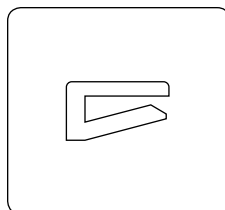
J-Leg Profiles • Page 65



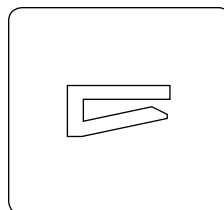
J-Leg Profiles • Page 65



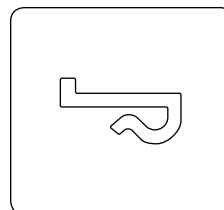
J-Leg Profiles • Page 65



J-Leg Profiles • Page 65



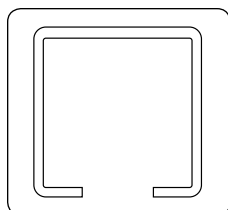
J-Leg Profiles • Page 65



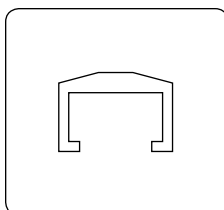
J-Leg Profiles • Page 65



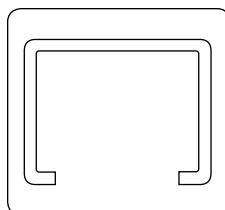
Flat Profile • Page 66



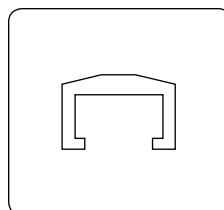
Tube Covers • Page 66



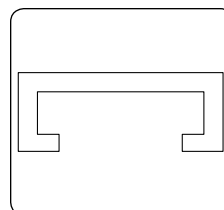
Tube Covers • Page 66



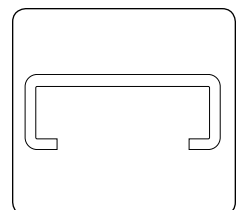
Tube Covers • Page 66



Tube Covers • Page 66



Bar Covers • Page 67



Bar Covers • Page 67

Product Index

| | | | | | |
|---|---|---|--|---|---|
|  |  |  |  |  |  |
| Bar Covers • Page 67 | Drive Rivet • Page 67 | 2.36in Dia Roller (With Rubber Surface) • Page 68 | 2.36in Dia Roller with Flange (With Rubber Surface) • Page 68 | 2.36in Double Roller (With Rubber Surface) • Page 69 | 2.9in Dia Roller (With Rubber Surface) • Page 69 |
|  |  |  |  |  |  |
| 2.9in Dia Roller with Flange (With Rubber Surface) • Page 70 | Tube Caps • Page 71 | Post Cap – Square • Page 72 | Post Cap – Rectangle • Page 72 | Side Mount Post Cap • Page 73 | Connecting Joints • Page 74 |
|  |  |  |  |  |  |
| Bipod Base • Page 75 | Bipod Base with Cross Tie • Page 75 | Tripod Base • Page 76 | Bearing Insert – Lubricated Nylon – Blind Bore • Page 77 | Bearing Insert – Lubricated Nylon – Through Bore • Page 77 | Bearing Insert – Lubricated UHMWPE – Blind Bore • Page 77 |
|  |  |  |  |  |  |
| Bearing Insert – Lubricated UHMWPE – Through Bore • Page 78 ABS End Cap with | Lubricated Nylon Bearing Insert – Blind Bore • Page 78 | ABS End Cap with Lubricated Nylon Bearing Insert – Through Bore • Page 79 | ABS End Cap with Lubricated UHMWPE Bearing Insert – Blind Bore • Page 80 | ABS End Cap with Lubricated UHMWPE Bearing Insert – Through Bore • Page 81 | Round Roller Shafts • Page 82 |
|  |  |  |  |  |  |
| Contact Lever • Page 83 | Sensor Mount • Page 83 | Knob – Female – 182 • Page 84 | Knob – Male – 280 • Page 84 | Knob – Female – 281 • Page 84 | Knob – Female – 282 • Page 85 |
|  |  |  |  |  |  |
| Knob – Male – 282 • Page 85 | Ratchet Handles – Male – Imperial • Page 86 | Ratchet Handles – Female – Imperial • Page 87 | Ratchet Handles – Male – Metric • Page 88 | Ratchet Handles – Female – Metric • Page 89 | Split Shaft Collars – Round Bore • Page 90 |

Product Index



Split Shaft Collars – Square Bore • Page 90



Center Transfer Module • Page 91



End Transfer Module (without Lip) • Page 91



End Transfer Module with Lip (3 Axle) • Page 92



End Transfer Module with Lip (2 Axle) • Page 92



Dynamic Nose-Over Bar For 1500 Series Chains • Page 93



Dynamic Nose-Over Bar For 8500 Series Chains • Page 93



Modular Nose-Over Bar Low Profile • Page 94



Modular Nose-Over Bar Standard Profile • Page 94



Modular Nose-Over Bar Replacement Profile • Page 95



Hinge • Page 96



Tube End – Round • Page 97



Tube End – Square • Page 98



Tube End – Rectangular • Page 99



Articulating Leveler – 537 • Page 100



Articulating Leveler – 505 • Page 100



Articulating Leveler – 511 • Page 101



Articulating Leveler – 511H • Page 102



Articulating Leveler – 511-T • Page 103



Articulating Leveler – 511H-T • Page 104



Articulating Leveler – 513H • Page 105



Articulating Leveler – 517-K • Page 105



Articulating Leveler – 520 • Page 106



Articulating Leveler – 520-K • Page 106



Articulating Leveler – 520-T • Page 107



Articulating Leveler – 133 • Page 107



Articulating Leveler – 169 • Page 108



Articulating Leveler – 323 • Page 108



Articulating Leveler – 479 • Page 109



Articulating Leveler – 94 • Page 109



Anti-Slip Pads • Page 110



Introduction

When it comes to providing highly engineered products that improve productivity and efficiency for product handling applications worldwide, Rexnord is the most reliable in the industry. Our commitment to customer satisfaction and superior value extends to every area of our business.

We offer a complete portfolio of MatTop® and TableTop® Conveyor Chain and Rexnord Conveyor Components. These leading edge solutions are designed to continuously improve productivity for customers in a variety of industries including automotive, food, beverage, warehouse/distribution and container handling. Rexnord FlatTop® Chain performance is maximized when used with low-friction, low-wear Rexnord Chain Guide-return solutions.

Rexnord Chain Guides and Return Solutions Increase Uptime

- Low wear for extended chain and wear strip life
- Low friction for low chain pull and energy savings
- High-speed capability for increased productivity and optimized performance
- Bi-material return rollers for reduced noise and high-speed capabilities
- Lowest total cost of ownership through reduced downtime, maintenance and replacement costs

Rexnord Product Guides Reduce Damage to Products

- Low friction roller side guides increase efficiency by preventing costly container damage and discards due to product tippage
- Specific profile design to ensure product stability and throughput
- Ideal for container, package and beverage handling applications

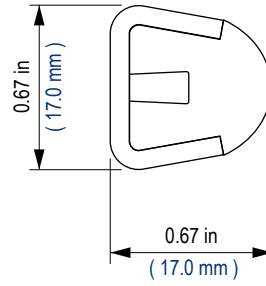
Rexnord Conveyor Construction Components Save Time

- Modular design eliminates need for welding, minimizes assembly time and reduces conveyor construction costs
- Strong and rigid design with declared mechanical values
- High-performance materials designed to meet the most demanding and unique applications
- Easy-to-clean design meets sanitation requirements
- High corrosion and chemical resistance

Our team of experienced application engineers are available to help you select the ideal product for your applications. Contact us today at 262-376-4800.



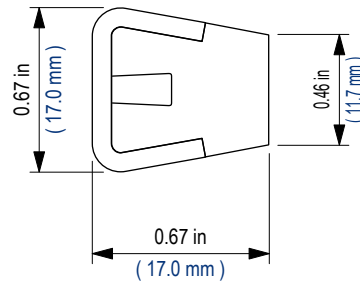
Round Guide Rail



| Part Number | Reference Description | Length | |
|-------------|-----------------------|--------|------|
| | | ft | m |
| 10324428 | RX-SSR-8 | 8 | 2.44 |
| 10324433 | RX-SSR-10 | 10 | 3.05 |
| 10324431 | RX-SSR-12 | 12 | 3.66 |
| 10324429 | RX-SSR-20 | 20 | 6.10 |

- Material: Polyethylene UHMWPE with molecular density 5,600,000 g/mol
- 14-gauge stainless steel sheath
- Linear expansion coefficient: $2.2 \times 10^{-5} \text{ } ^\circ\text{F}^{-1}$ ($4 \times 10^{-5} \text{ } ^\circ\text{C}^{-1}$)
- See engineering manual for calculation of thermal expansion.

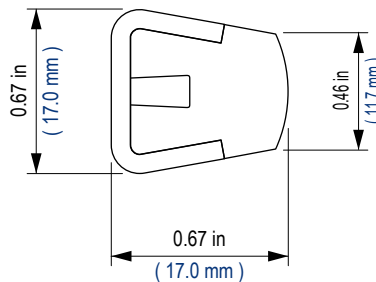
Flat Guide Rail



| Part Number | Reference Description | Length | |
|-------------|-----------------------|--------|------|
| | | ft | m |
| 10324440 | RX-SSF-8 | 8 | 2.44 |
| 10324437 | RX-SSF-10 | 10 | 3.05 |
| 10324438 | RX-SSF-12 | 12 | 3.66 |
| 10324439 | RX-SSF-20 | 20 | 6.10 |

- Material: Polyethylene UHMWPE (white) with molecular density 5,600,000 g/mol
- 14-gauge stainless steel sheath
- Linear expansion coefficient: $2.2 \times 10^{-5} \text{ } ^\circ\text{F}^{-1}$ ($4 \times 10^{-5} \text{ } ^\circ\text{C}^{-1}$)
- See engineering manual for calculation of thermal expansion.

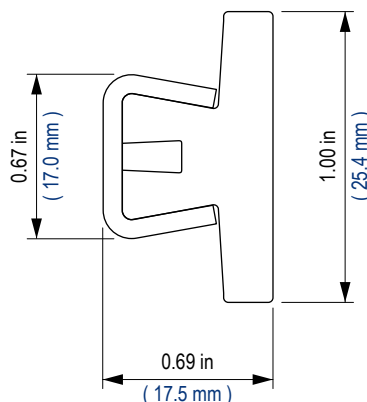
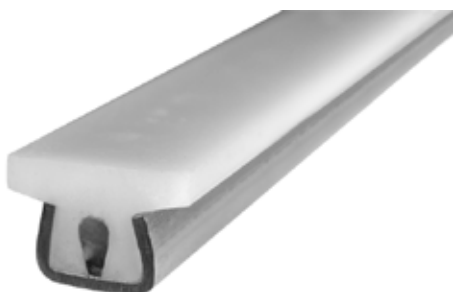
Convex Guide Rail



| Part Number | Reference Description | Length | |
|-------------|-----------------------|--------|------|
| | | ft | m |
| 10324449 | RX-SSM-8 | 8 | 2.44 |
| 10324446 | RX-SSM-10 | 10 | 3.05 |
| 10324447 | RX-SSM-12 | 12 | 3.66 |
| 10324448 | RX-SSM-20 | 20 | 6.10 |

- Material: Polyethylene UHMWPE with molecular density 5,600,000 g/mol
- 14-gauge stainless steel sheath
- Linear expansion coefficient: $2.2 \times 10^{-5} \text{ } ^\circ\text{F}^{-1}$ ($4 \times 10^{-5} \text{ } ^\circ\text{C}^{-1}$)
- See engineering manual for calculation of thermal expansion.

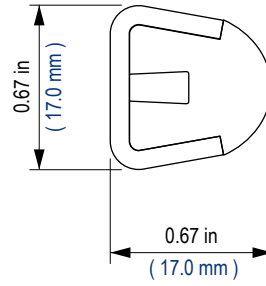
Wide Flat Guide Rail



| Part Number | Reference Description | Length | |
|-------------|-----------------------|--------|------|
| | | ft | m |
| 10324353 | RX-SSWF-8 | 8 | 2.44 |
| 10324349 | RX-SSWF-10 | 10 | 3.05 |
| 10324350 | RX-SSWF-12 | 12 | 3.66 |
| 10324352 | RX-SSWF-20 | 20 | 6.10 |

- Material: Polyethylene UHMWPE with molecular density 5,600,000 g/mol
- 14-gauge stainless steel sheath
- Linear expansion coefficient: $2.2 \times 10^{-5} \text{ } ^\circ\text{F}^{-1}$ ($4 \times 10^{-5} \text{ } ^\circ\text{C}^{-1}$)
- See engineering manual for calculation of thermal expansion.

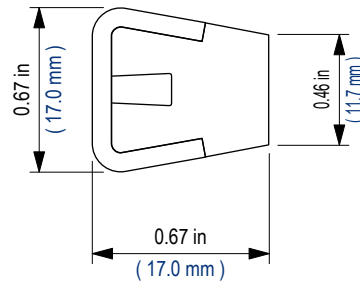
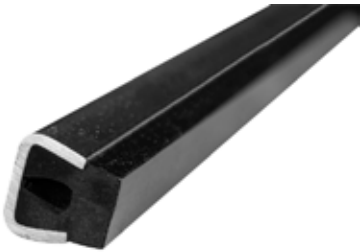
Round Guide Rail – Static Dissipative



| Part Number | Reference Description | Length | |
|-------------|-----------------------|--------|------|
| | | ft | m |
| 10324416 | RX-SSR-SD-8 | 8 | 2.44 |
| 10324421 | RX-SSR-SD-10 | 10 | 3.05 |
| 10324420 | RX-SSR-SD-12 | 12 | 3.66 |
| 10324418 | RX-SSR-SD-20 | 20 | 6.10 |

- Material: Static dissipative polyethylene UHMWPE with molecular density 5,600,000 g/mol
- 14-gauge stainless steel sheath
- Linear expansion coefficient: $2.2 \times 10^{-5} \text{ } ^\circ\text{F}^{-1}$ ($4 \times 10^{-5} \text{ } ^\circ\text{C}^{-1}$)
- See engineering manual for calculation of thermal expansion.

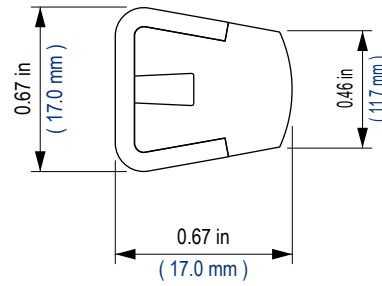
Flat Guide Rail – Static Dissipative



| Part Number | Reference Description | Length | |
|-------------|-----------------------|--------|------|
| | | ft | m |
| 10324445 | RX-SSF-SD-8 | 8 | 2.44 |
| 10324441 | RX-SSF-SD-10 | 10 | 3.05 |
| 10324442 | RX-SSF-SD-12 | 12 | 3.66 |
| 10324444 | RX-SSF-SD-20 | 20 | 6.10 |

- Material: Static dissipative polyethylene UHMWPE with molecular density 5,600,000 g/mol
- 14-gauge stainless steel sheath
- Linear expansion coefficient: $2.2 \times 10^{-5} \text{ } ^\circ\text{F}^{-1}$ ($4 \times 10^{-5} \text{ } ^\circ\text{C}^{-1}$)
- See engineering manual for calculation of thermal expansion.

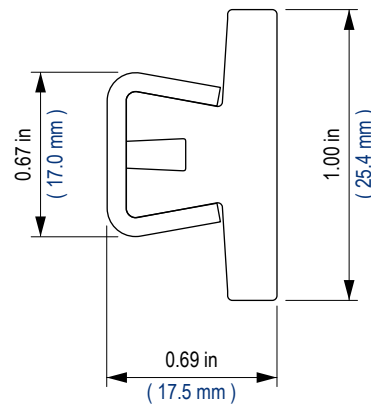
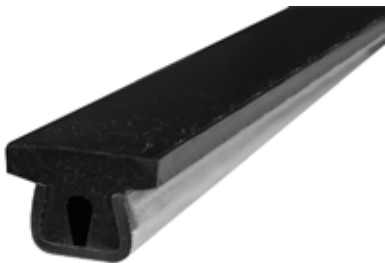
Convex Guide Rail – Static Dissipative



| Part Number | Reference Description | Length | |
|-------------|-----------------------|--------|------|
| | | ft | m |
| 10324453 | RX-SSM-SD-8 | 8 | 2.44 |
| 10324450 | RX-SSM-SD-10 | 10 | 3.05 |
| 10324451 | RX-SSM-SD-12 | 12 | 3.66 |
| 10324452 | RX-SSM-SD-20 | 20 | 6.10 |

- Material: Static dissipative polyethylene UHMWPE with molecular density 5,600,000 g/mol
- 14-gauge stainless steel sheath
- Linear expansion coefficient: $2.2 \times 10^{-5} \text{ } ^\circ\text{F}^{-1}$ ($4 \times 10^{-5} \text{ } ^\circ\text{C}^{-1}$)
- See engineering manual for calculation of thermal expansion.

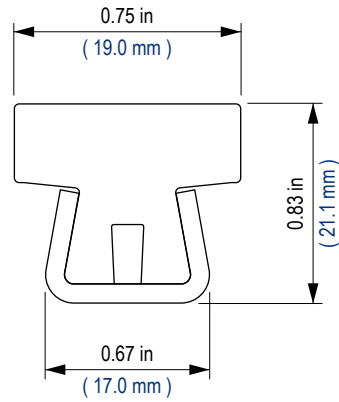
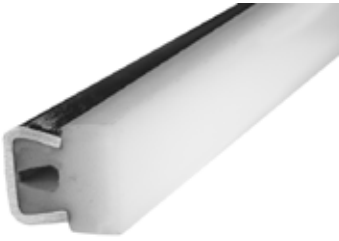
Wide Flat Guide Rail – Static Dissipative



| Part Number | Reference Description | Length | |
|-------------|-----------------------|--------|------|
| | | ft | m |
| 10324359 | RX-SSWF-SD-8 | 8 | 2.44 |
| 10324354 | RX-SSWF-SD-10 | 10 | 3.05 |
| 10324355 | RX-SSWF-SD-12 | 12 | 3.66 |
| 10324357 | RX-SSWF-SD-20 | 20 | 6.10 |

- Material: Static dissipative polyethylene UHMWPE with molecular density 5,600,000 g/mol
- 14-gauge stainless steel sheath
- Linear expansion coefficient: $2.2 \times 10^{-5} \text{ } ^\circ\text{F}^{-1}$ ($4 \times 10^{-5} \text{ } ^\circ\text{C}^{-1}$)
- See engineering manual for calculation of thermal expansion.

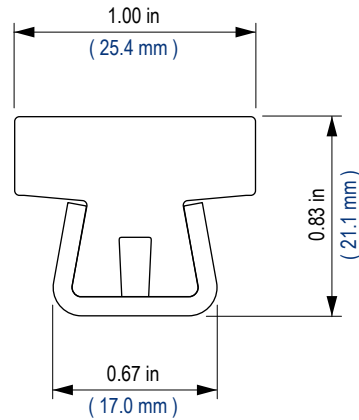
0.75in Tee Guide Rail



| Part Number | Reference Description | Length | |
|-------------|-----------------------|--------|------|
| | | ft | m |
| 10324161 | RX-SST-.75-10 | 10 | 3.05 |
| 10324162 | RX-SST-.75-20 | 20 | 6.10 |

- Material: Polyethylene UHMWPE with molecular density 5,600,000 g/mol
- 14-gauge stainless steel sheath
- Linear expansion coefficient: $2.2 \times 10^{-5} \text{ }^\circ\text{F}^{-1}$ ($4 \times 10^{-5} \text{ }^\circ\text{C}^{-1}$)
- See engineering manual for calculation of thermal expansion.

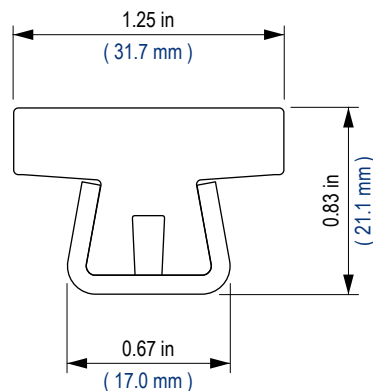
1in Tee Guide Rail



| Part Number | Reference Description | Length | |
|-------------|-----------------------|--------|------|
| | | ft | m |
| 10324169 | RX-SST-1.00-8 | 8 | 2.44 |
| 10324165 | RX-SST-1.00-10 | 10 | 3.05 |
| 10324167 | RX-SST-1.00-12 | 12 | 3.66 |
| 10324168 | RX-SST-1.00-20 | 20 | 6.10 |

- Material: Polyethylene UHMWPE with molecular density 5,600,000 g/mol
- 14-gauge stainless steel sheath
- Linear expansion coefficient: $2.2 \times 10^{-5} \text{ }^\circ\text{F}^{-1}$ ($4 \times 10^{-5} \text{ }^\circ\text{C}^{-1}$)
- See engineering manual for calculation of thermal expansion.

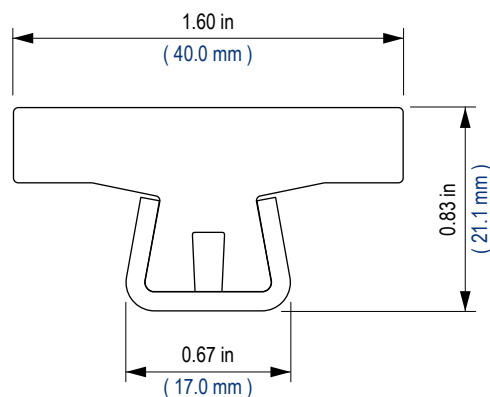
1.25in Tee Guide Rail



| Part Number | Reference Description | Length | |
|-------------|-----------------------|--------|------|
| | | ft | m |
| 10324178 | RX-SST-1.25-8 | 8 | 2.44 |
| 10324174 | RX-SST-1.25-10 | 10 | 3.05 |
| 10324175 | RX-SST-1.25-12 | 12 | 3.66 |
| 10324176 | RX-SST-1.25-20 | 20 | 6.10 |

- Material: Polyethylene UHMWPE with molecular density 5,600,000 g/mol
- 14-gauge stainless steel sheath
- Linear expansion coefficient: $2.2 \times 10^{-5} \text{ } ^\circ\text{F}^{-1}$ ($4 \times 10^{-5} \text{ } ^\circ\text{C}^{-1}$)
- See engineering manual for calculation of thermal expansion.

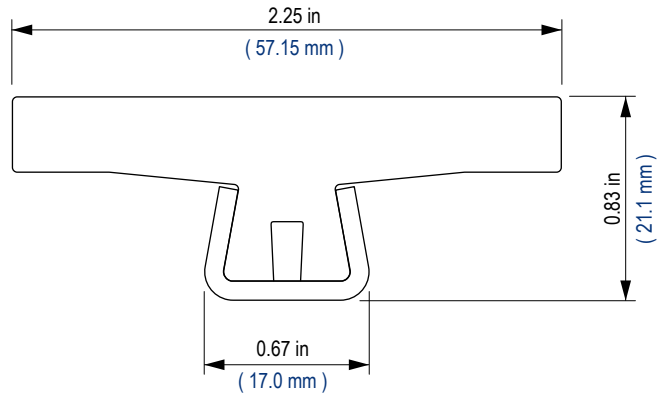
1.60in Tee Guide Rail



| Part Number | Reference Description | Length | |
|-------------|-----------------------|--------|------|
| | | ft | m |
| 10324186 | RX-SST-1.60-8 | 8 | 2.44 |
| 10324183 | RX-SST-1.60-10 | 10 | 3.05 |
| 10324184 | RX-SST-1.60-12 | 12 | 3.66 |
| 10324185 | RX-SST-1.60-20 | 20 | 6.10 |

- Material: Polyethylene UHMWPE with molecular density 5,600,000 g/mol
- 14-gauge stainless steel sheath
- Linear expansion coefficient: $2.2 \times 10^{-5} \text{ } ^\circ\text{F}^{-1}$ ($4 \times 10^{-5} \text{ } ^\circ\text{C}^{-1}$)
- See engineering manual for calculation of thermal expansion.

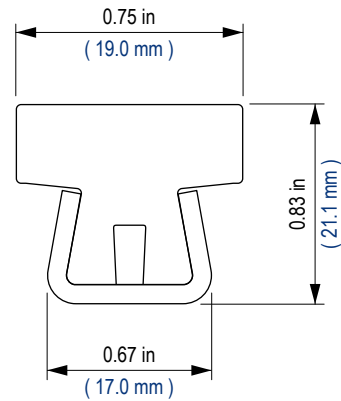
2.25in Tee Guide Rail



| Part Number | Reference Description | Length | |
|-------------|-----------------------|--------|------|
| | | ft | m |
| 10324204 | RX-SST-2.25-8 | 8 | 2.44 |
| 10324200 | RX-SST-2.25-10 | 10 | 3.05 |
| 10324201 | RX-SST-2.25-12 | 12 | 3.66 |
| 10324203 | RX-SST-2.25-20 | 20 | 6.10 |

- Material: Polyethylene UHMWPE with molecular density 5,600,000 g/mol
- 14-gauge stainless steel sheath
- Linear expansion coefficient: $2.2 \times 10^{-5} \text{ } ^\circ\text{F}^{-1}$ ($4 \times 10^{-5} \text{ } ^\circ\text{C}^{-1}$)
- See engineering manual for calculation of thermal expansion.

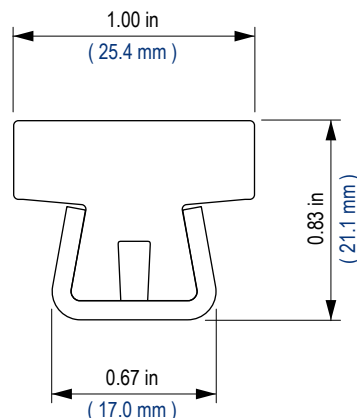
0.75in Tee Guide Rail – Static Dissipative



| Part Number | Reference Description | Length | |
|-------------|-----------------------|--------|------|
| | | ft | m |
| 10324163 | RX-SST-.75-SD-10 | 10 | 3.05 |
| 10324164 | RX-SST-.75-SD-20 | 20 | 6.10 |

- Material: Static dissipative polyethylene UHMWPE with molecular density 5,600,000 g/mol
- 14-gauge stainless steel sheath
- Linear expansion coefficient: $2.2 \times 10^{-5} \text{ } ^\circ\text{F}^{-1}$ ($4 \times 10^{-5} \text{ } ^\circ\text{C}^{-1}$)
- See engineering manual for calculation of thermal expansion.

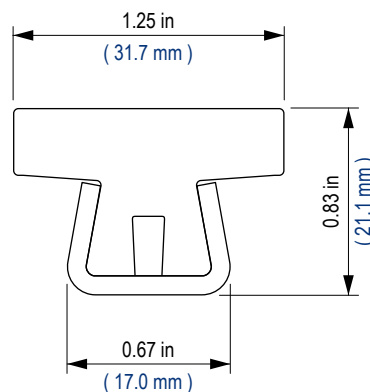
1in Tee Guide Rail – Static Dissipative



| Part Number | Reference Description | Length | |
|-------------|-----------------------|--------|------|
| | | ft | m |
| 10324173 | RX-SST-1.00-SD-8 | 8 | 2.44 |
| 10324170 | RX-SST-1.00-SD-10 | 10 | 3.05 |
| 10324171 | RX-SST-1.00-SD-12 | 12 | 3.66 |
| 10324172 | RX-SST-1.00-SD-20 | 20 | 6.10 |

- Material: Static dissipative polyethylene UHMWPE with molecular density 5,600,000 g/mol
- 14-gauge stainless steel sheath
- Linear expansion coefficient: $2.2 \times 10^{-5} \text{ }^\circ\text{F}^{-1}$ ($4 \times 10^{-5} \text{ }^\circ\text{C}^{-1}$)
- See engineering manual for calculation of thermal expansion.

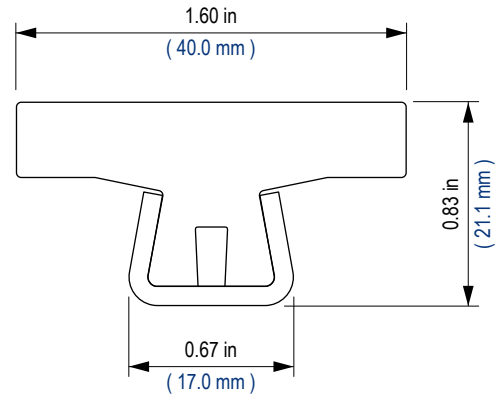
1.25in Tee Guide Rail – Static Dissipative



| Part Number | Reference Description | Length | |
|-------------|-----------------------|--------|------|
| | | ft | m |
| 10324182 | RX-SST-1.25-SD-8 | 8 | 2.44 |
| 10324179 | RX-SST-1.25-SD-10 | 10 | 3.05 |
| 10324180 | RX-SST-1.25-SD-12 | 12 | 3.66 |
| 10324181 | RX-SST-1.25-SD-20 | 20 | 6.10 |

- Material: Static dissipative polyethylene UHMWPE with molecular density 5,600,000 g/mol
- 14-gauge stainless steel sheath
- Linear expansion coefficient: $2.2 \times 10^{-5} \text{ }^\circ\text{F}^{-1}$ ($4 \times 10^{-5} \text{ }^\circ\text{C}^{-1}$)
- See engineering manual for calculation of thermal expansion.

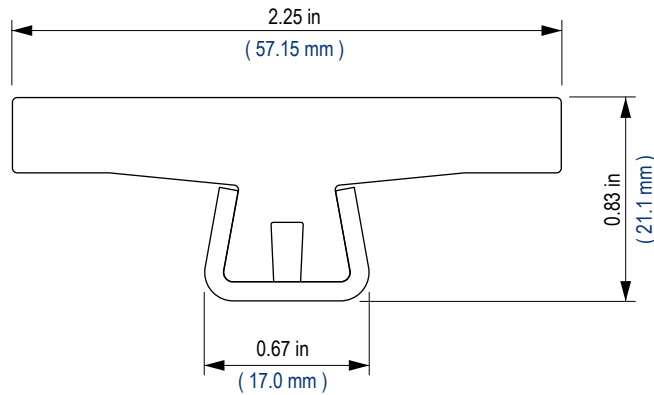
1.60in Tee Guide Rail – Static Dissipative



| Part Number | Reference Description | Length | |
|-------------|-----------------------|--------|------|
| | | ft | m |
| 10324196 | RX-SST-1.60-SD-8 | 8 | 2.44 |
| 10324187 | RX-SST-1.60-SD-10 | 10 | 3.05 |
| 10324188 | RX-SST-1.60-SD-12 | 12 | 3.66 |
| 10324189 | RX-SST-1.60-SD-20 | 20 | 6.10 |

- Material: Static dissipative polyethylene UHMWPE with molecular density 5,600,000 g/mol
- 14-gauge stainless steel sheath
- Linear expansion coefficient: $2.2 \times 10^{-5} \text{ }^\circ\text{F}^{-1}$ ($4 \times 10^{-5} \text{ }^\circ\text{C}^{-1}$)
- See engineering manual for calculation of thermal expansion.

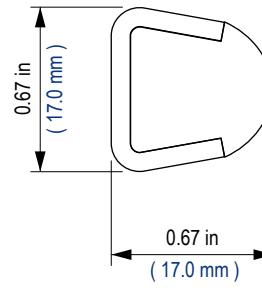
2.25in Tee Guide Rail – Static Dissipative



| Part Number | Reference Description | Length | |
|-------------|-----------------------|--------|------|
| | | ft | m |
| 10324209 | RX-SST-2.25-SD-8 | 8 | 2.44 |
| 10324205 | RX-SST-2.25-SD-10 | 10 | 3.05 |
| 10324207 | RX-SST-2.25-SD-12 | 12 | 3.66 |
| 10324208 | RX-SST-2.25-SD-20 | 20 | 6.10 |

- Material: Static dissipative polyethylene UHMWPE with molecular density 5,600,000 g/mol
- 14-gauge stainless steel sheath
- Linear expansion coefficient: $2.2 \times 10^{-5} \text{ }^\circ\text{F}^{-1}$ ($4 \times 10^{-5} \text{ }^\circ\text{C}^{-1}$)
- See engineering manual for calculation of thermal expansion.

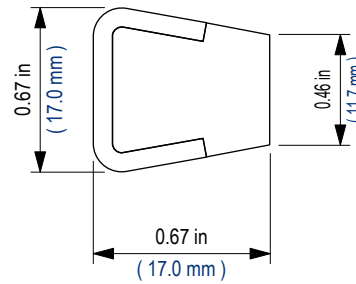
Round Guide Rail – Solid



| Part Number | Reference Description | Plastic Profile Material | Length | |
|-------------|-----------------------|--------------------------|--------|------|
| | | | ft | m |
| 10324425 | RX-SSRS-10 | UHMWPE | 10 | 3.05 |
| 10324424 | RX-SSRS-12 | UHMWPE | 12 | 3.66 |
| 10324423 | RX-SSRS-20 | UHMWPE | 20 | 6.10 |
| 10350043 | RX-SSRS-ULF-10 | ULF™ | 10 | 3.05 |

- Material: Polyethylene UHMWPE with molecular density 5,600,000 g/mol
- 14-gauge stainless steel sheath
- Linear expansion coefficient: $2.2 \times 10^{-5} \text{ }^\circ\text{F}^{-1}$ ($4 \times 10^{-5} \text{ }^\circ\text{C}^{-1}$)
- See engineering manual for calculation of thermal expansion.

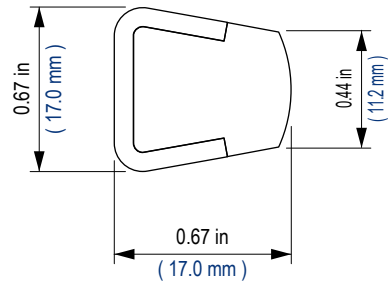
Flat Guide Rail – Solid



| Part Number | Reference Description | Plastic Profile Material | Length | |
|-------------|-----------------------|--------------------------|--------|------|
| | | | ft | m |
| 10106086 | RX-SSFS-10 | UHMWPE | 10 | 3.05 |
| 10350045 | RX-SSFS-ULF-10 | ULF™ | 10 | 3.05 |

- Material: Polyethylene UHMWPE with molecular density 5,600,000 g/mol
- 14-gauge stainless steel sheath
- Linear expansion coefficient: $2.2 \times 10^{-5} \text{ }^\circ\text{F}^{-1}$ ($4 \times 10^{-5} \text{ }^\circ\text{C}^{-1}$)
- See engineering manual for calculation of thermal expansion.

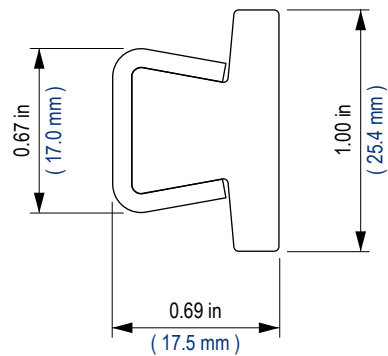
Convex Guide Rail – Solid



| Part Number | Reference Description | Plastic Profile Material | Length | |
|-------------|-----------------------|--------------------------|--------|------|
| | | | ft | m |
| 10324379 | RX-SSMS-10 | UHMWPE | 10 | 3.05 |
| 10350049 | RX-SSMS-ULF-10 | ULF™ | 10 | 3.05 |

- Material: Polyethylene UHMWPE with molecular density 5,600,000 g/mol
- 14-gauge stainless steel sheath
- Linear expansion coefficient: $2.2 \times 10^{-5} \text{ } ^\circ\text{F}^{-1}$ ($4 \times 10^{-5} \text{ } ^\circ\text{C}^{-1}$)
- See engineering manual for calculation of thermal expansion.

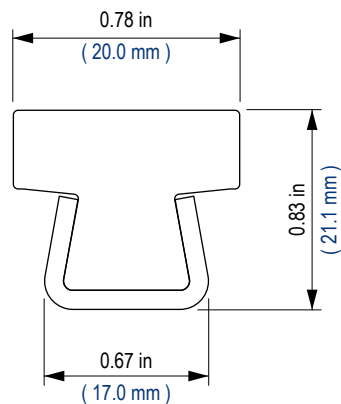
Wide Flat Guide Rail – Solid



| Part Number | Reference Description | Plastic Profile Material | Length | |
|-------------|-----------------------|--------------------------|--------|------|
| | | | ft | m |
| 10324388 | RX-SSWFS-10 | UHMWPE | 10 | 3.05 |
| 10350066 | RX-SSWFS-ULF-10 | ULF™ | 10 | 3.05 |

- Material: Polyethylene UHMWPE with molecular density 5,600,000 g/mol
- 14-gauge stainless steel sheath
- Linear expansion coefficient: $2.2 \times 10^{-5} \text{ } ^\circ\text{F}^{-1}$ ($4 \times 10^{-5} \text{ } ^\circ\text{C}^{-1}$)
- See engineering manual for calculation of thermal expansion.

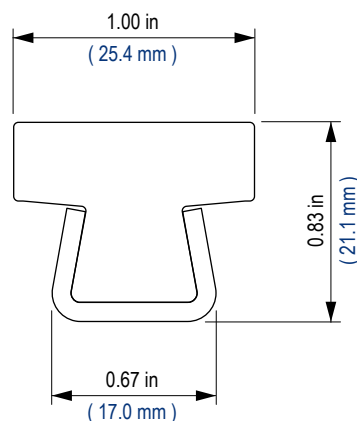
20mm Tee Guide Rail – Solid



| Part Number | Reference Description | Plastic Profile Material | Length | |
|-------------|-----------------------|--------------------------|--------|------|
| | | | ft | m |
| 10324404 | 769-609163N | UHMWPE | 10 | 3.05 |
| 10350067 | - | ULF™ | 10 | 3.05 |

- Material: Polyethylene UHMWPE with molecular density 5,600,000 g/mol
- 14-gauge stainless steel sheath
- Linear expansion coefficient: $2.2 \times 10^{-5} \text{ } ^\circ\text{F}^{-1}$ ($4 \times 10^{-5} \text{ } ^\circ\text{C}^{-1}$)
- See engineering manual for calculation of thermal expansion.

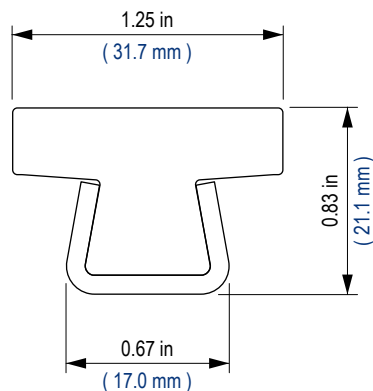
1in Tee Guide Rail – Solid



| Part Number | Reference Description | Plastic Profile Material | Length | |
|-------------|-----------------------|--------------------------|--------|------|
| | | | ft | m |
| 10324383 | RX-SSTS-1.00-10 | UHMWPE | 10 | 3.05 |
| 10350065 | RX-SSTS-1.00-ULF-10 | ULF™ | 10 | 3.05 |

- Material: Polyethylene UHMWPE with molecular density 5,600,000 g/mol
- 14-gauge stainless steel sheath
- Linear expansion coefficient: $2.2 \times 10^{-5} \text{ } ^\circ\text{F}^{-1}$ ($4 \times 10^{-5} \text{ } ^\circ\text{C}^{-1}$)
- See engineering manual for calculation of thermal expansion.

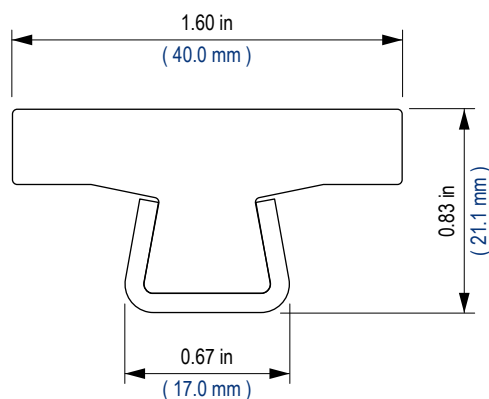
1.25in Tee Guide Rail – Solid



| Part Number | Reference Description | Plastic Profile Material | Length | |
|-------------|-----------------------|--------------------------|--------|------|
| | | | ft | m |
| 10324215 | RX-SSTS-1.25-8 | UHMWPE | 8 | 2.44 |
| 10324210 | RX-SSTS-1.25-10 | UHMWPE | 10 | 3.05 |
| 10324211 | RX-SSTS-1.25-12 | UHMWPE | 12 | 3.66 |
| 10324212 | RX-SSTS-1.25-20 | UHMWPE | 20 | 6.10 |
| 10350047 | RX-SSTS-1.25-ULF-10 | ULF™ | 10 | 3.05 |

- Material: Polyethylene UHMWPE with molecular density 5,600,000 g/mol
- 14-gauge stainless steel sheath
- Linear expansion coefficient: $2.2 \times 10^{-5} \text{ } ^\circ\text{F}^{-1}$ ($4 \times 10^{-5} \text{ } ^\circ\text{C}^{-1}$)
- See engineering manual for calculation of thermal expansion.

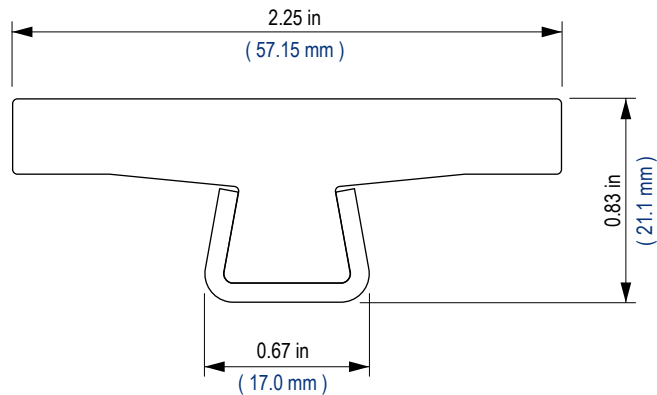
1.60in Tee Guide Rail – Solid



| Part Number | Reference Description | Plastic Profile Material | Length | |
|-------------|-----------------------|--------------------------|--------|------|
| | | | ft | m |
| 10324380 | RX-SSTS-1.60-10 | UHMWPE | 10 | 3.05 |
| 10350652 | RX-SSTS-1.60-ULF-10 | ULF™ | 10 | 3.05 |

- Material: Polyethylene UHMWPE with molecular density 5,600,000 g/mol
- 14-gauge stainless steel sheath
- Linear expansion coefficient: $2.2 \times 10^{-5} \text{ } ^\circ\text{F}^{-1}$ ($4 \times 10^{-5} \text{ } ^\circ\text{C}^{-1}$)
- See engineering manual for calculation of thermal expansion.

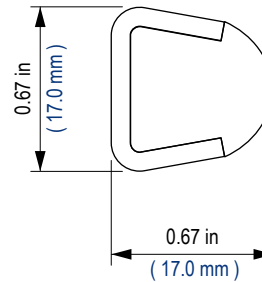
2.25in Tee Guide Rail – Solid



| Part Number | Reference Description | Plastic Profile Material | Length | |
|-------------|-----------------------|--------------------------|--------|------|
| | | | ft | m |
| 10324381 | RX-SSTS-2.25-10 | UHMWPE | 10 | 3.05 |
| 10350063 | RX-SSTS-2.25-ULF-10 | ULF™ | 10 | 3.05 |

- Material: Polyethylene UHMWPE with molecular density 5,600,000 g/mol
- 14-gauge stainless steel sheath
- Linear expansion coefficient: $2.2 \times 10^{-5} \text{ }^\circ\text{F}^{-1}$ ($4 \times 10^{-5} \text{ }^\circ\text{C}^{-1}$)
- See engineering manual for calculation of thermal expansion.

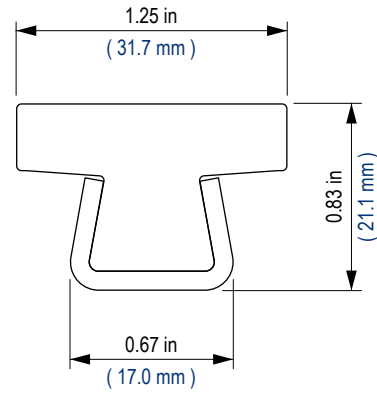
Round Guide Rail – Solid – Static Dissipative



| Part Number | Reference Description | Length | |
|-------------|-----------------------|--------|------|
| | | ft | m |
| 10324415 | RX-SSRS-SD-10 | 10 | 3.05 |
| 10324413 | RX-SSRS-SD-12 | 12 | 3.66 |
| 10324120 | RX-SSRS-SD-20 | 20 | 6.10 |

- Material: Static dissipative polyethylene UHMWPE with molecular density 5,600,000 g/mol
- 14-gauge stainless steel sheath
- Linear expansion coefficient: $2.2 \times 10^{-5} \text{ }^\circ\text{F}^{-1}$ ($4 \times 10^{-5} \text{ }^\circ\text{C}^{-1}$)
- See engineering manual for calculation of thermal expansion.

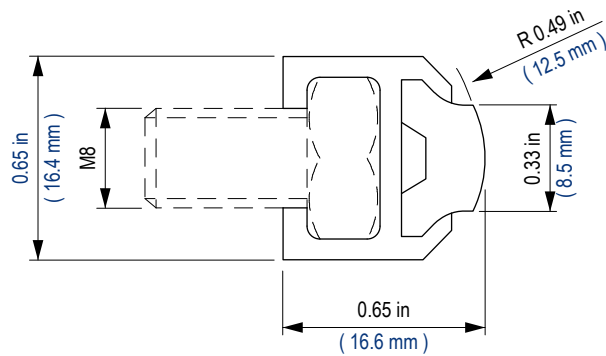
1.25in Tee Guide Rail – Solid – Static Dissipative



| Part Number | Reference Description | Length | |
|-------------|-----------------------|--------|------|
| | | ft | m |
| 10324346 | RX-SSTS-1.25-SD-8 | 8 | 2.44 |
| 10324217 | RX-SSTS-1.25-SD-10 | 10 | 3.05 |
| 10324341 | RX-SSTS-1.25-SD-12 | 12 | 3.66 |
| 10324343 | RX-SSTS-1.25-SD-20 | 20 | 6.10 |

- Material: Static dissipative polyethylene UHMWPE with molecular density 5,600,000 g/mol
- 14-gauge stainless steel sheath
- Linear expansion coefficient: $2.2 \times 10^{-5} \text{ }^\circ\text{F}^{-1}$ ($4 \times 10^{-5} \text{ }^\circ\text{C}^{-1}$)
- See engineering manual for calculation of thermal expansion.

Aluminum and UHMWPE Guide Rails – Half Round



| Part Number | Reference Description | Length | |
|-------------|-----------------------|--------|-----|
| | | ft | m |
| 10324367 | 346-60204 | 9.84 | 3.0 |

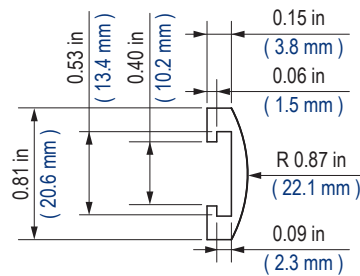
- Material: Plastic profile in polyethylene UHMWPE (white) with molecular density 5,600,000 g/mol
- Metal profile in anodized aluminium
- Minimum curvature radius: 4.33 in (110 mm)
- Linear expansion coefficient: $1.1 \times 10^{-4} \text{ }^\circ\text{F}^{-1}$ ($2 \times 10^{-4} \text{ }^\circ\text{C}^{-1}$)
- See engineering manual for calculation of thermal expansion.

Combination Group B

- These aluminum extrusions can be used with the UHMWPE covers shown in this group.
- Applications include wearstrips/support under TableTop® and MatTop® chains.

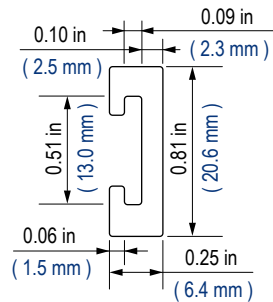
| Part Number | Reference Description | Length | |
|-------------|-----------------------|--------|------|
| | | ft | m |
| 10309156 | RX-P813-10 | 10 | 3.05 |

- Material: Polyethylene UHMWPE



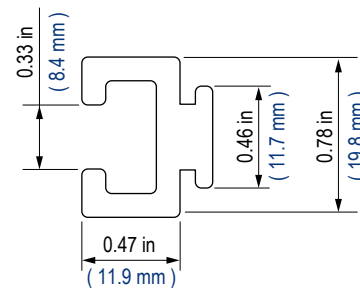
| Part Number | Reference Description | Length | |
|-------------|-----------------------|--------|------|
| | | ft | m |
| 10324436 | RX-P813F-10 | 10 | 3.05 |

- Material: Polyethylene UHMWPE



| Part Number | Reference Description | Length | |
|-------------|-----------------------|--------|------|
| | | ft | m |
| 10309224 | RX-A600-10 | 10 | 3.05 |
| 10324213 | RX-A600-20 | 20 | 6.10 |

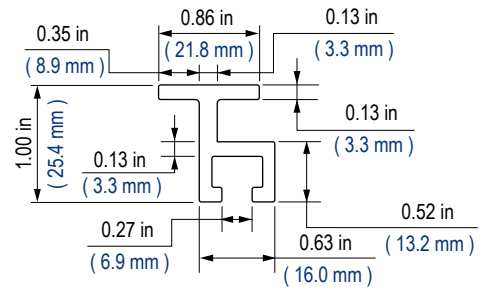
- Material: Aluminum
- Used with standard 5/16 in hex bolts



Combination Group C

| Part Number | Reference Description | Length | |
|-------------|-----------------------|--------|------|
| | | ft | m |
| 10324358 | RX-A1878T-10 | 10 | 3.05 |

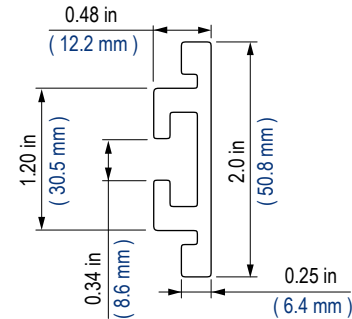
- Material: Aluminum
- Used with standard 1/4 in hex bolts



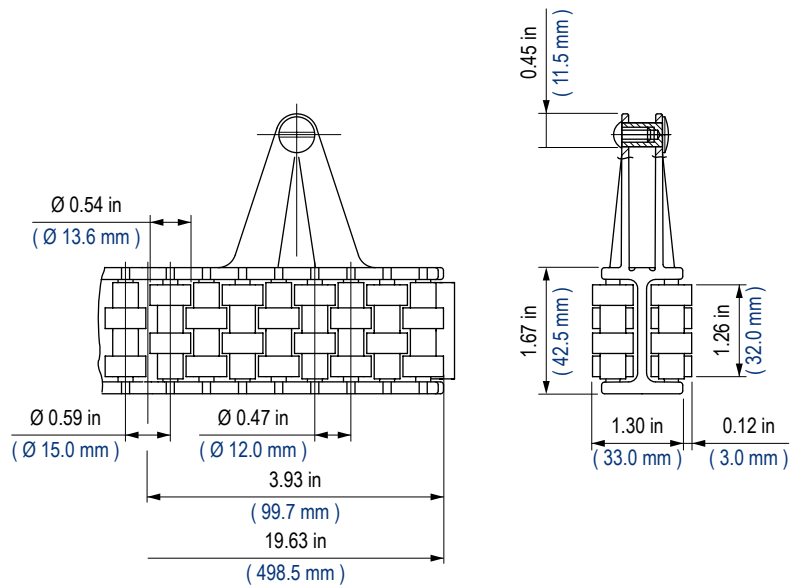
Combination Group D

| Part Number | Reference Description | Length | |
|-------------|-----------------------|--------|------|
| | | ft | m |
| 10324198 | RX-A2520-20 | 20 | 6.10 |

- Material: Aluminum
- Used with standard 5/16 in carriage bolts



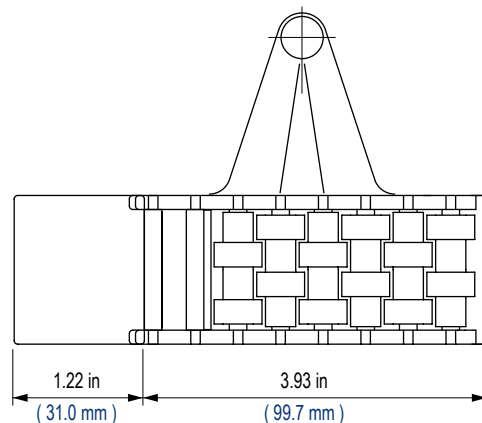
Center Roller Guide



| Part Number | Reference Description | Fits M Profile | |
|-------------|-----------------------|----------------|-----------------|
| | | Part No | Ref Description |
| 10106493 | 557-695991N | 10324491 | 537-689231 |

- Material: Frame in black acetal (POM), rollers in white acetal (POM)
- Minimum curvature radius: 13.19 in (335 mm)
- Standard packaging: strands of 19.63 in (0.498 m) 5 modules

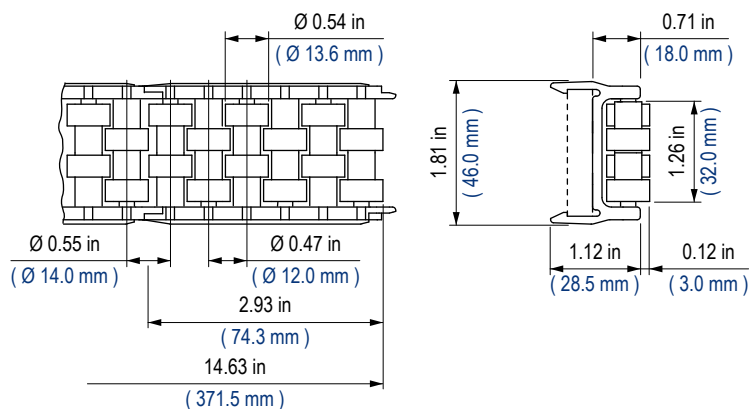
Center Roller Guide Divider Module



– Material: frame in black acetal (POM), rollers in white acetal (POM), separation block in black polyethylene (PE)

| Part Number | Reference Description | Fits M Profile | |
|-------------|-----------------------|----------------|-----------------|
| | | Part No | Ref Description |
| 10107281 | 570-601162N | 10324491 | 537-689231 |

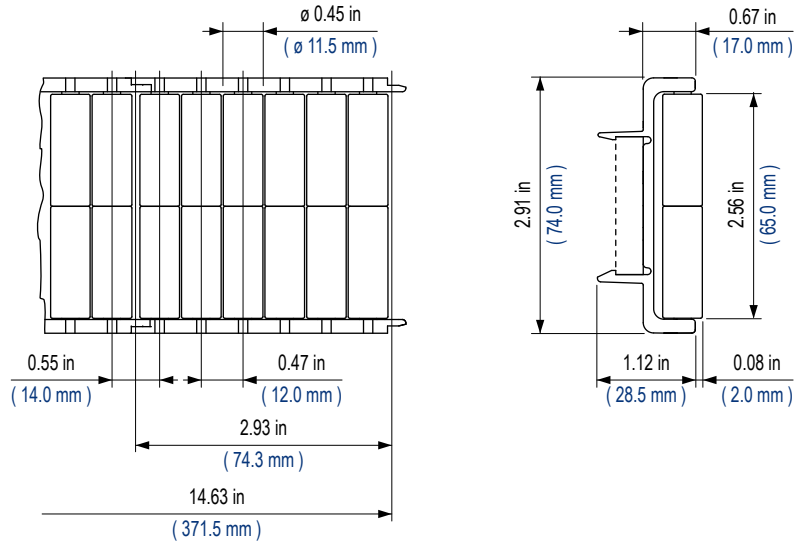
Roller Side Guide – 580



– Material: Frame in black acetal (POM), rollers in white acetal (POM)
 – Standard packaging: strands of 14.63 in (0.371 m) 5 modules

| Part Number | Reference Description | Fits | |
|-------------|-----------------------|---------------------|-----------------|
| | | Part No | Ref Description |
| 10109640 | 580-603302 | 10324491 | 537-689231 |
| 10109641 | 580-611772 | 40 mm x 10 mm Plate | |

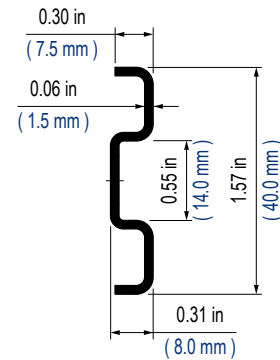
Roller Side Guide – 581



| Part Number | Reference Description | Fits | |
|-------------|-----------------------|----------|-----------------|
| | | Part No | Ref Description |
| 10109868 | 581-603312 | 10324491 | 537-689231 |

- Material: Frame in black acetal (POM), rollers in white acetal (POM)
- Standard packaging: strands of 14.63 in (0.371 m) 5 modules

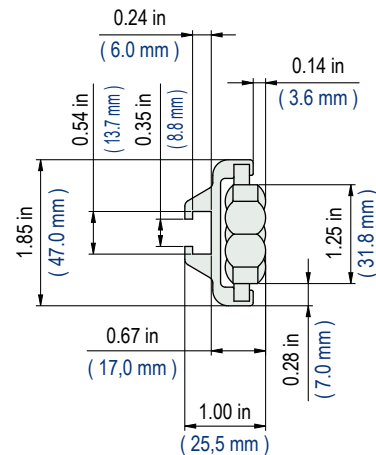
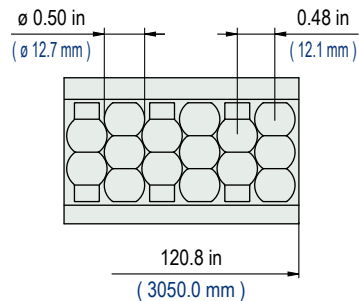
Stainless Steel M Profile



| Part Number | Reference Description | Overall Length | |
|-------------|-----------------------|----------------|--------|
| | | in | mm |
| 10324491 | 537-689231 | 126.34 | 3209.0 |

- Material: Austenitic stainless steel
- Minimum curvature radius: 19.68 in (500 mm)

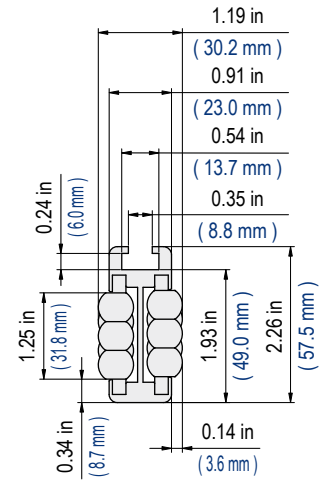
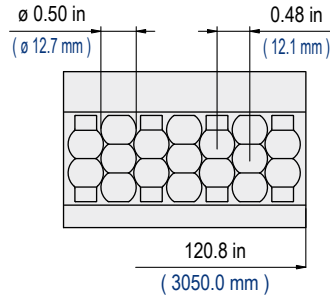
Pearl™ Roller Side Guide – 1 Side 1 High



| Roller Color | Approximate Length | | Part Number | Reference Description |
|--------------|--------------------|--------|-------------|-----------------------|
| | in | mm | | |
| White | 25.00 | 635.0 | 10139262 | 756-607733-1 |
| White | 29.75 | 755.7 | 10139273 | 756-607733-2 |
| White | 34.50 | 876.3 | 10139275 | 756-607733-3 |
| White | 39.25 | 997.0 | 10139276 | 756-607733-4 |
| White | 44.00 | 1117.6 | 10139277 | 756-607733-5 |
| White | 48.75 | 1238.3 | 10139278 | 756-607733-6 |
| White | 53.50 | 1358.9 | 10139279 | 756-607733-7 |
| White | 58.25 | 1479.6 | 10139280 | 756-607733-8 |
| White | 63.00 | 1600.2 | 10139281 | 756-607733-9 |
| White | 67.75 | 1720.9 | 10139263 | 756-607733-10 |
| White | 72.50 | 1841.5 | 10139264 | 756-607733-11 |
| White | 77.25 | 1962.2 | 10139265 | 756-607733-12 |
| White | 82.00 | 2082.8 | 10139266 | 756-607733-13 |
| White | 86.75 | 2203.5 | 10139267 | 756-607733-14 |
| White | 91.50 | 2324.1 | 10139268 | 756-607733-15 |
| White | 96.25 | 2444.8 | 10139269 | 756-607733-16 |
| White | 101.00 | 2565.4 | 10139270 | 756-607733-17 |
| White | 105.75 | 2686.1 | 10139271 | 756-607733-18 |
| White | 110.50 | 2806.7 | 10139272 | 756-607733-19 |
| White | 115.25 | 2927.4 | 10139274 | 756-607733-20 |
| White | 120.00 | 3048.0 | 10139261 | 756-607733 |
| Brown | 25.00 | 635.0 | 10139326 | 756-657041-1 |
| Brown | 29.75 | 755.7 | 10139337 | 756-657041-2 |
| Brown | 34.50 | 876.3 | 10139339 | 756-657041-3 |
| Brown | 39.25 | 997.0 | 10139340 | 756-657041-4 |
| Brown | 44.00 | 1117.6 | 10139341 | 756-657041-5 |
| Brown | 48.75 | 1238.3 | 10139342 | 756-657041-6 |
| Brown | 53.50 | 1358.9 | 10139343 | 756-657041-7 |
| Brown | 58.25 | 1479.6 | 10139344 | 756-657041-8 |
| Brown | 63.00 | 1600.2 | 10139345 | 756-657041-9 |
| Brown | 67.75 | 1720.9 | 10139327 | 756-657041-10 |
| Brown | 72.50 | 1841.5 | 10139328 | 756-657041-11 |
| Brown | 77.25 | 1962.2 | 10139329 | 756-657041-12 |
| Brown | 82.00 | 2082.8 | 10139330 | 756-657041-13 |
| Brown | 86.75 | 2203.5 | 10139331 | 756-657041-14 |
| Brown | 91.50 | 2324.1 | 10139332 | 756-657041-15 |
| Brown | 96.25 | 2444.8 | 10139333 | 756-657041-16 |
| Brown | 101.00 | 2565.4 | 10139334 | 756-657041-17 |
| Brown | 105.75 | 2686.1 | 10139335 | 756-657041-18 |
| Brown | 110.50 | 2806.7 | 10139336 | 756-657041-19 |
| Brown | 115.25 | 2927.4 | 10139338 | 756-657041-20 |
| Brown | 120.00 | 3048.0 | 10139325 | 756-657041 |

- Self-supporting structure
- Material: metal profile in anodized aluminum, rollers in polyethylene (PE), frame and pins in acetal (POM)
- Quick and easy installation with standard 5/16 or M8 bolts
- Can be used straight-running and sideflexing
- Low-friction rollers

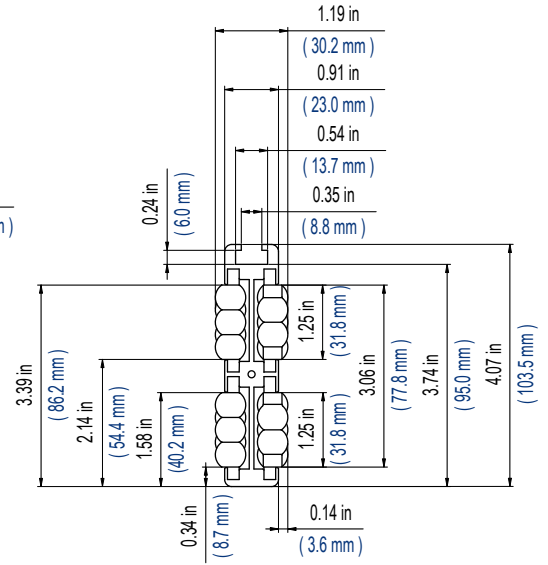
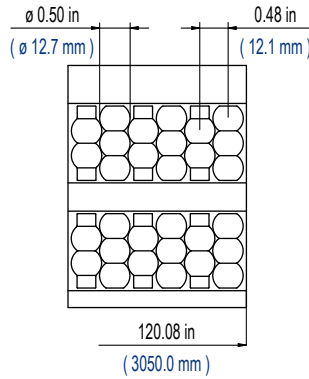
Pearl™ Roller Center Guide – 2 Side 1 High



| Roller Color | Approximate Length | | Part Number | Reference Description |
|--------------|--------------------|--------|-------------|-----------------------|
| | in | mm | | |
| White | 25.00 | 635.0 | 10139161 | 754-607653-1 |
| White | 29.75 | 755.7 | 10139172 | 754-607653-2 |
| White | 34.50 | 876.3 | 10139174 | 754-607653-3 |
| White | 39.25 | 997.0 | 10139175 | 754-607653-4 |
| White | 44.00 | 1117.6 | 10139176 | 754-607653-5 |
| White | 48.75 | 1238.3 | 10139177 | 754-607653-6 |
| White | 53.50 | 1358.9 | 10139178 | 754-607653-7 |
| White | 58.25 | 1479.6 | 10139179 | 754-607653-8 |
| White | 63.00 | 1600.2 | 10139180 | 754-607653-9 |
| White | 67.75 | 1720.9 | 10139162 | 754-607653-10 |
| White | 72.50 | 1841.5 | 10139163 | 754-607653-11 |
| White | 77.25 | 1962.2 | 10139164 | 754-607653-12 |
| White | 82.00 | 2082.8 | 10139165 | 754-607653-13 |
| White | 86.75 | 2203.5 | 10139166 | 754-607653-14 |
| White | 91.50 | 2324.1 | 10139167 | 754-607653-15 |
| White | 96.25 | 2444.8 | 10139168 | 754-607653-16 |
| White | 101.00 | 2565.4 | 10139169 | 754-607653-17 |
| White | 105.75 | 2686.1 | 10139170 | 754-607653-18 |
| White | 110.50 | 2806.7 | 10139171 | 754-607653-19 |
| White | 115.25 | 2927.4 | 10139173 | 754-607653-20 |
| White | 120.00 | 3048.0 | 10139160 | 754-607653 |
| Brown | 25.00 | 635.0 | 10139224 | 754-657021-1 |
| Brown | 29.75 | 755.7 | 10139235 | 754-657021-2 |
| Brown | 34.50 | 876.3 | 10139237 | 754-657021-3 |
| Brown | 39.25 | 997.0 | 10139238 | 754-657021-4 |
| Brown | 44.00 | 1117.6 | 10139239 | 754-657021-5 |
| Brown | 48.75 | 1238.3 | 10139240 | 754-657021-6 |
| Brown | 53.50 | 1358.9 | 10139241 | 754-657021-7 |
| Brown | 58.25 | 1479.6 | 10139242 | 754-657021-8 |
| Brown | 63.00 | 1600.2 | 10139243 | 754-657021-9 |
| Brown | 67.75 | 1720.9 | 10139225 | 754-657021-10 |
| Brown | 72.50 | 1841.5 | 10139226 | 754-657021-11 |
| Brown | 77.25 | 1962.2 | 10139227 | 754-657021-12 |
| Brown | 82.00 | 2082.8 | 10139228 | 754-657021-13 |
| Brown | 86.75 | 2203.5 | 10139229 | 754-657021-14 |
| Brown | 91.50 | 2324.1 | 10139230 | 754-657021-15 |
| Brown | 96.25 | 2444.8 | 10139231 | 754-657021-16 |
| Brown | 101.00 | 2565.4 | 10139232 | 754-657021-17 |
| Brown | 105.75 | 2686.1 | 10139233 | 754-657021-18 |
| Brown | 110.50 | 2806.7 | 10139234 | 754-657021-19 |
| Brown | 115.25 | 2927.4 | 10139236 | 754-657021-20 |
| Brown | 120.00 | 3048.0 | 10139223 | 754-657021 |

- Self-supporting structure
- Material: metal profile in anodized aluminum, rollers in polyethylene (PE), frame and pins in acetal (POM)
- Quick and easy installation with standard 5/16 or M8 bolts
- Can be used straight-running and sideflexing
- Low-friction rollers

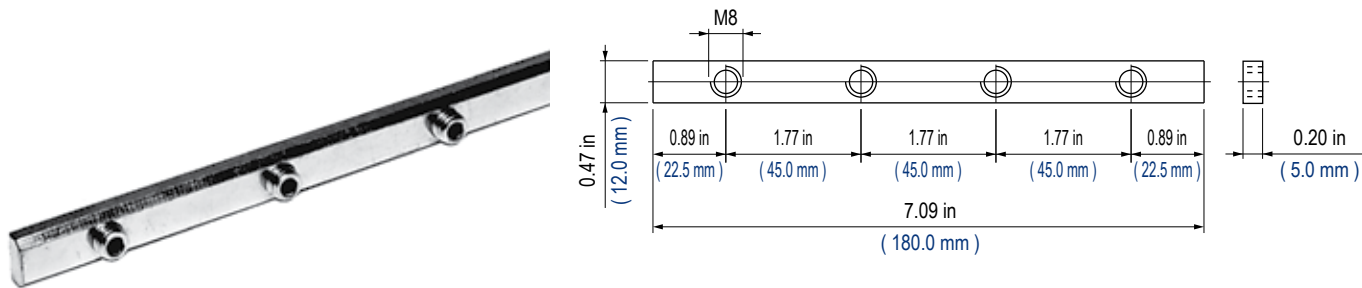
Pearl™ Roller Center Guide – 2 Side 2 High



| Roller Color | Approximate Length | | Part Number | Reference Description |
|--------------|--------------------|--------|-------------|-----------------------|
| | in | mm | | |
| White | 25.00 | 635.0 | 10139182 | 754-607673-1 |
| White | 29.75 | 755.7 | 10139193 | 754-607673-2 |
| White | 34.50 | 876.3 | 10139195 | 754-607673-3 |
| White | 39.25 | 997.0 | 10139196 | 754-607673-4 |
| White | 44.00 | 1117.6 | 10139197 | 754-607673-5 |
| White | 48.75 | 1238.3 | 10139198 | 754-607673-6 |
| White | 53.50 | 1358.9 | 10139199 | 754-607673-7 |
| White | 58.25 | 1479.6 | 10139200 | 754-607673-8 |
| White | 63.00 | 1600.2 | 10139201 | 754-607673-9 |
| White | 67.75 | 1720.9 | 10139183 | 754-607673-10 |
| White | 72.50 | 1841.5 | 10139184 | 754-607673-11 |
| White | 77.25 | 1962.2 | 10139185 | 754-607673-12 |
| White | 82.00 | 2082.8 | 10139186 | 754-607673-13 |
| White | 86.75 | 2203.5 | 10139187 | 754-607673-14 |
| White | 91.50 | 2324.1 | 10139188 | 754-607673-15 |
| White | 96.25 | 2444.8 | 10139189 | 754-607673-16 |
| White | 101.00 | 2565.4 | 10139190 | 754-607673-17 |
| White | 105.75 | 2686.1 | 10139191 | 754-607673-18 |
| White | 110.50 | 2806.7 | 10139192 | 754-607673-19 |
| White | 115.25 | 2927.4 | 10139194 | 754-607673-20 |
| White | 120.00 | 3048.0 | 10139181 | 754-607673 |
| Brown | 25.00 | 635.0 | 10139203 | 754-657011-1 |
| Brown | 29.75 | 755.7 | 10139214 | 754-657011-2 |
| Brown | 34.50 | 876.3 | 10139216 | 754-657011-3 |
| Brown | 39.25 | 997.0 | 10139217 | 754-657011-4 |
| Brown | 44.00 | 1117.6 | 10139218 | 754-657011-5 |
| Brown | 48.75 | 1238.3 | 10139219 | 754-657011-6 |
| Brown | 53.50 | 1358.9 | 10139220 | 754-657011-7 |
| Brown | 58.25 | 1479.6 | 10139221 | 754-657011-8 |
| Brown | 63.00 | 1600.2 | 10139222 | 754-657011-9 |
| Brown | 67.75 | 1720.9 | 10139204 | 754-657011-10 |
| Brown | 72.50 | 1841.5 | 10139205 | 754-657011-11 |
| Brown | 77.25 | 1962.2 | 10139206 | 754-657011-12 |
| Brown | 82.00 | 2082.8 | 10139207 | 754-657011-13 |
| Brown | 86.75 | 2203.5 | 10139208 | 754-657011-14 |
| Brown | 91.50 | 2324.1 | 10139209 | 754-657011-15 |
| Brown | 96.25 | 2444.8 | 10139210 | 754-657011-16 |
| Brown | 101.00 | 2565.4 | 10139211 | 754-657011-17 |
| Brown | 105.75 | 2686.1 | 10139212 | 754-657011-18 |
| Brown | 110.50 | 2806.7 | 10139213 | 754-657011-19 |
| Brown | 115.25 | 2927.4 | 10139215 | 754-657011-20 |
| Brown | 120.00 | 3048.0 | 10139202 | 754-657011 |

- Self-supporting structure
- Material: metal profile in anodized aluminum, rollers in polyethylene (PE), frame and pins in acetal (POM)
- Quick and easy installation with standard 5/16 or M8 bolts
- Can be used straight-running and sideflexing
- Low-friction rollers

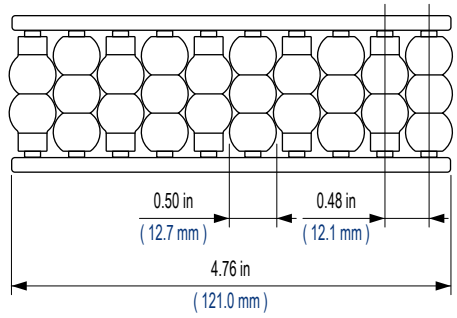
Connecting Bar



| Part Number | Reference Description |
|-------------|-----------------------|
| 10101276 | 369-69995 |

– Material: Zinc plated steel

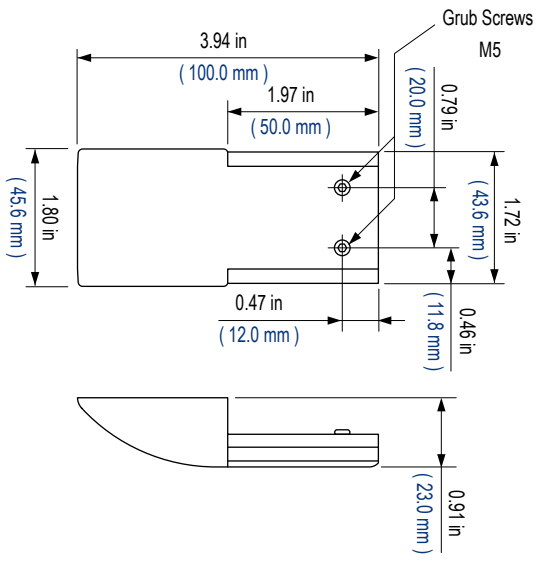
Pearl™ Roller Side Guide Module



| Roller Color | Part Number | Reference Description |
|--------------|-------------|-----------------------|
| White | 10030003 | 0-607863 |
| Brown | 10030112 | 0-640463 |

– Material: frame in acetal (POM), rollers in polyethylene (PE)

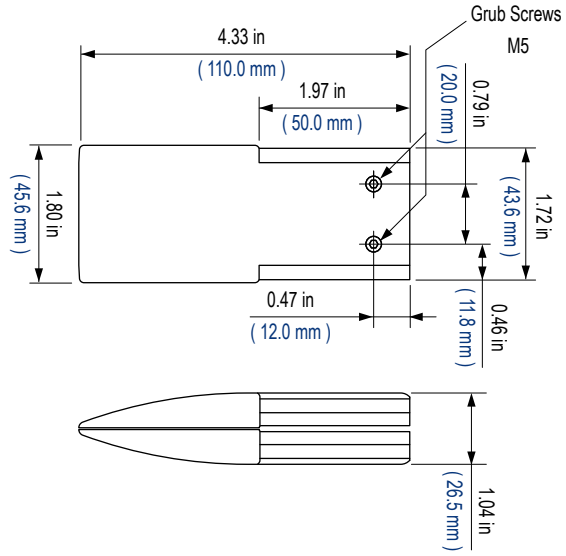
Roller Guide Separation Block – 852



| Part Number | Reference Description |
|-------------|-----------------------|
| 10199584 | 852-646633 |

– Material: Acetal (POM)

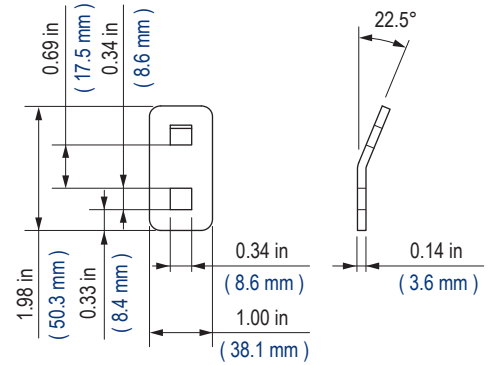
Roller Guide Separation Block – 854



| Part Number | Reference Description |
|-------------|-----------------------|
| 10199587 | 854-646643 |

– Material: Acetal (POM)

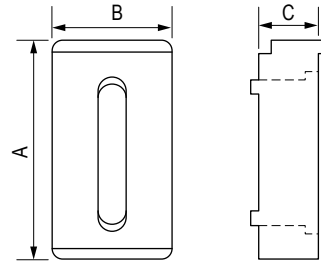
FastRail Corner Clip



| Part Number | Reference Description | For Hardware |
|-------------|-----------------------|--------------|
| 10309407 | RX-040-01 | 5/16 |

– Material: Stainless steel
 – Used with standard 5/16 in bolts

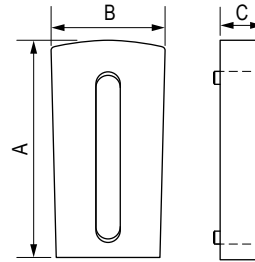
Spacer – 291



| Part Number | Reference Description | A | | B | | C | |
|-------------|-----------------------|------|------|------|------|------|------|
| | | in | mm | in | mm | in | mm |
| 10309707 | RX-291 | 2.95 | 74.9 | 1.97 | 50.0 | 0.75 | 19.1 |

- Material: Black polyamide (PA)
- Used alone or in multiples to increase distance between RX-202 or RX-210 brackets and conveyor frame when no lip is required

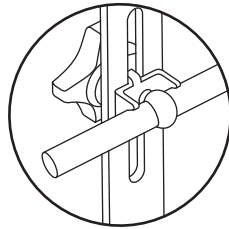
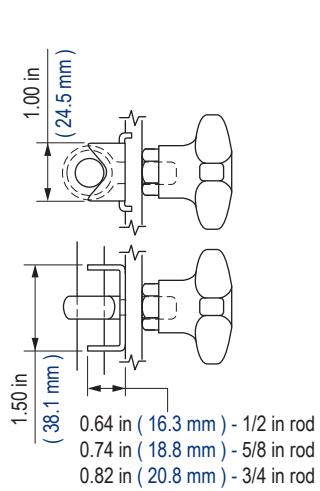
Spacer – 292



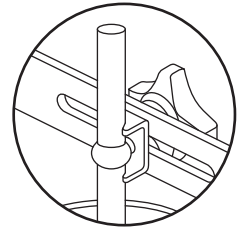
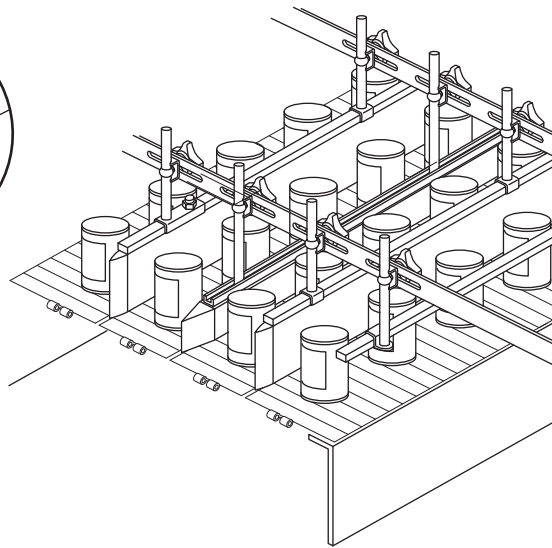
| Part Number | Reference Description | A | | B | | C | |
|-------------|-----------------------|------|------|------|------|------|------|
| | | in | mm | in | mm | in | mm |
| 10309294 | RX-292 | 3.82 | 97.0 | 1.94 | 49.3 | 0.59 | 15.0 |

- Material: Black polyamide (PA)
- Used alone or in multiples to increase distance between RX-203 brackets and conveyor frame

RODS

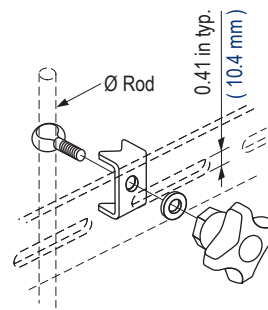
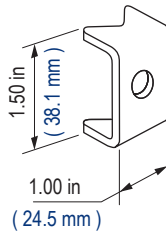


641T



641

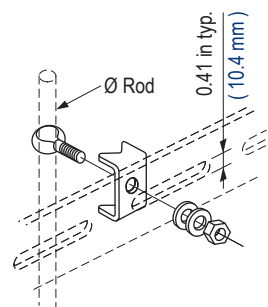
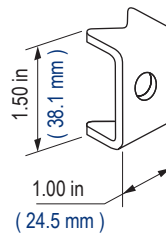
Rod Mounts With Knob – 641-K



| Part Number | Reference Description | Rod Diameter |
|-------------|-----------------------|--------------|
| | | in |
| 10309782 | RX-641-K-12 | 1/2 |
| 10308974 | RX-641-K-58 | 5/8 |

- Material: Stainless steel mount and polyamide (PA) knob
- Usage: Lane dividing applications
- Rod can be set to any angle

Rod Mounts With Nut – 641-N

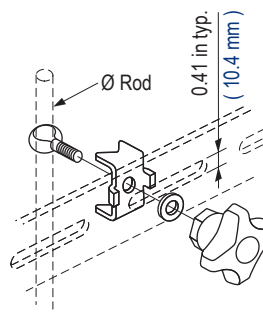
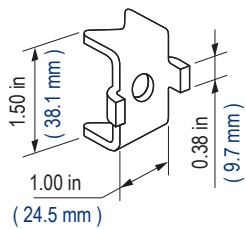


| Part Number | Reference Description | Rod Diameter |
|-------------|-----------------------|--------------|
| | | in |
| 10309534 | RX-641-N-12 | 1/2 |
| 10309535 | RX-641-N-58 | 5/8 |

- Material: Stainless steel mount and hardware
- Usage: Lane dividing applications
- Rod can be set to any angle

RODS (Continued)

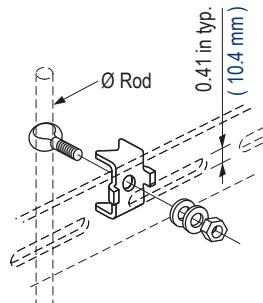
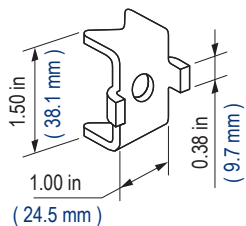
Rod Mounts With Knob – 641T-K



| Part Number | Reference Description | Rod Diameter |
|-------------|-----------------------|--------------|
| | | in |
| 10309192 | RX-641T-K-12 | 1/2 |
| 10309797 | RX-641T-K-58 | 5/8 |

- Material: Stainless steel mount and polyamide (PA) knob
- Usage: Lane dividing applications
- Positioning tabs lock rod at 90°

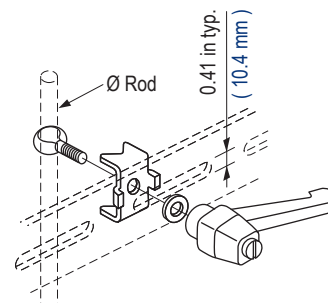
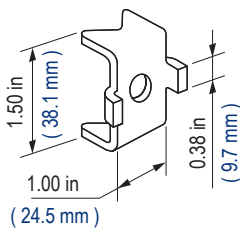
Rod Mounts With Nut – 641T-N



| Part Number | Reference Description | Rod Diameter |
|-------------|-----------------------|--------------|
| | | in |
| 10309644 | RX-641T-N-12 | 1/2 |
| 10309590 | RX-641T-N-58 | 5/8 |

- Material: Stainless steel mount and hardware
- Usage: Lane dividing applications
- Positioning tabs lock rod at 90°

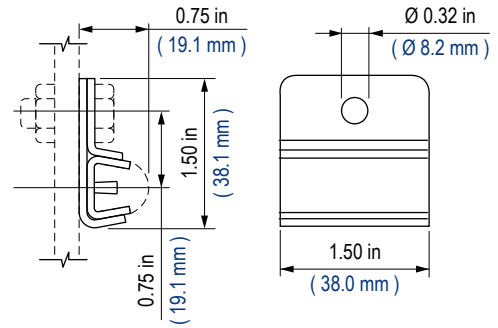
Rod Mounts With Ratchet Handle – 641T-R



| Part Number | Reference Description | Rod Diameter |
|-------------|-----------------------|--------------|
| | | in |
| 10309150 | RX-641T-R-12 | 1/2 |
| 10309422 | RX-641T-R-58 | 5/8 |

- Material: Stainless steel mount and polyamide (PA) ratchet handle
- Usage: Lane dividing applications
- Positioning tabs lock rod at 90°

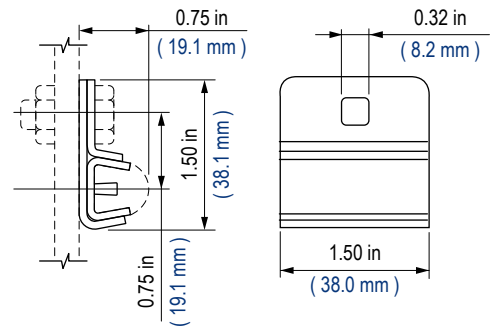
Single Rail Clamp – Round Hole



| Part Number | Reference Description | Fastener |
|-------------|-----------------------|------------|
| 10309239 | RX-012-01 | 5/16 or M8 |

- Material: 304 stainless steel
- Used with 5/16 inch or M8 bolts

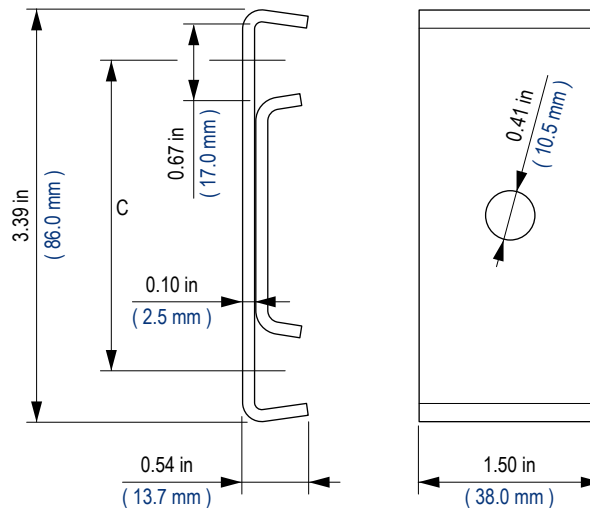
Single Rail Clamp – Square Hole



| Part Number | Reference Description | Fastener |
|-------------|-----------------------|------------|
| 10309036 | RX-012-SH | 5/16 or M8 |

- Material: 304 stainless steel
- Used with 5/16 inch or M8 bolts

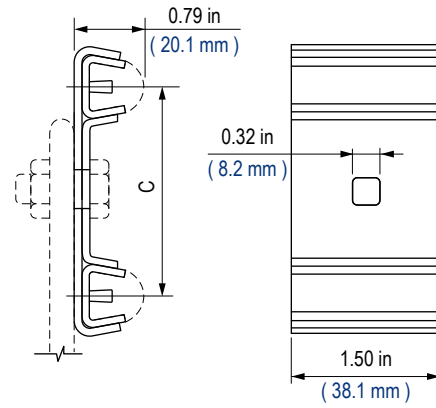
Double Rail Clamp – Round Hole



| Part Number | Reference Description | C-Rail Centers | |
|-------------|-----------------------|----------------|------|
| | | in | mm |
| 10309639 | RX-011-01 | 2.5 | 63.5 |
| 10308967 | RX-011-04 | 3.25 | 82.6 |
| 10309171 | RX-011-03 | 3.75 | 95.3 |

- Material: 304 stainless steel
- Used with 5/16 inch or M8 bolts

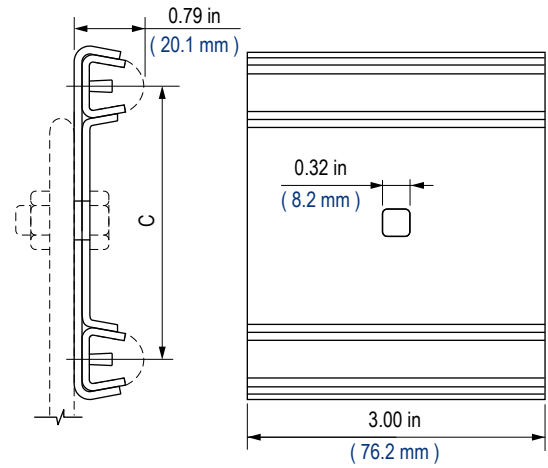
Double Rail Clamp – Square Hole



| Part Number | Reference Description | C-Rail Centers | |
|-------------|-----------------------|----------------|------|
| | | in | mm |
| 10309843 | RX-011-SH | 2.50 | 82.6 |

- Material: 304 stainless steel
- Used with 5/16 inch or M8 bolts

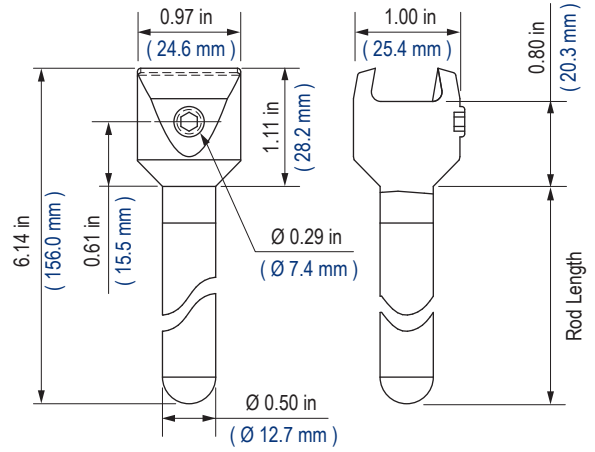
Double Rail Clamp – Square Hole 3in



| Part Number | Reference Description | C-Rail Centers | |
|-------------|-----------------------|----------------|------|
| | | in | mm |
| 10309169 | RX-011-WD | 2.5 | 63.5 |

- Material: 304 stainless steel
- Used with 5/16 inch or M8 bolts

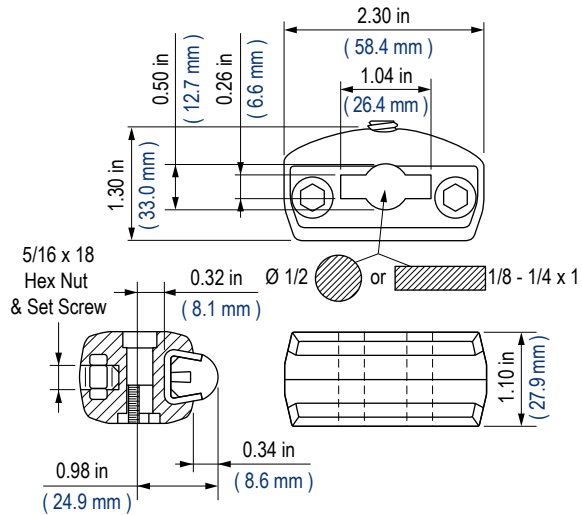
Rail Clamp & Metal Rod Combination



| Part Number | | Reference Description | | Rod Length | |
|-------------|----------|-----------------------|------------------|------------|-------|
| Plain | Etched | Plain | Etched | in | mm |
| 10309067 | 10309400 | RX-031-12-50 | RX-031-12-50-LN | 5 | 127.0 |
| 10309737 | 10309176 | RX-031-12-70 | RX-031-12-70-LN | 7 | 177.8 |
| 10309412 | 10309512 | RX-031-12-110 | RX-031-12-110-LN | 11 | 279.4 |

- Material: Clamp in reinforced polyamide (PA)
- Stainless steel rod
- Bolt in stainless steel, nut in nickel plated brass
- Injection molding through the stainless steel tube results in a strong and crush-resistant rod.

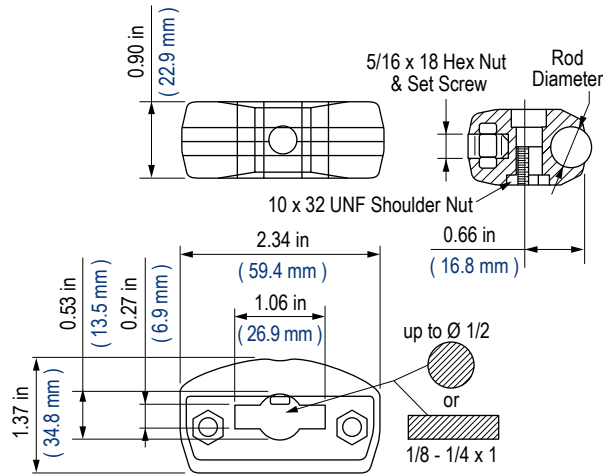
Rail Clamp for Rod or Flat Bar



| Part Number | Reference Description |
|-------------|-----------------------|
| 10309527 | RX-022-01 |

- Material: Clamp in reinforced polyamide (PA)
- Bolt in stainless steel, nut in nickel plated brass

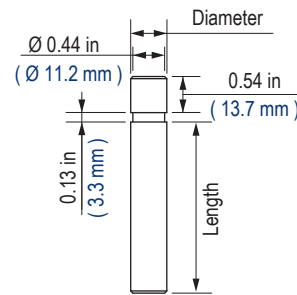
Rod Clamp for Rod or Flat Bar



| Part Number | Reference Description | Rod Diameter |
|-------------|-----------------------|--------------|
| | | in |
| 10309726 | RX-021-02 | 1/2 |

- Material: Clamp in reinforced polyamide (PA)
- Bolt in stainless steel, nut in nickel plated brass
- Mounts flat bar up to 1/4 x 1 in or rods up to 1/2 in diameter

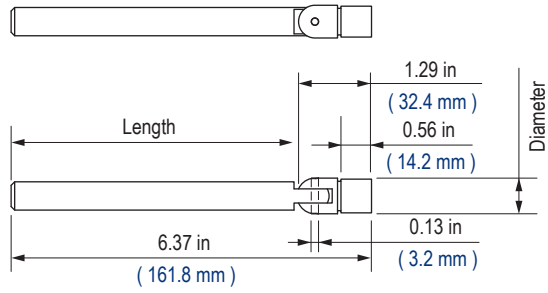
Adjusting Rods – Grooved



| Part Number | Reference Description | Diameter | Length | |
|-------------|-----------------------|----------|--------|-------|
| | | | in | mm |
| 10309049 | RX-020-R3 | 1/2 | 3 | 76.2 |
| 10309101 | RX-020-R5 | 1/2 | 5 | 127.0 |
| 10309331 | RX-020-R7 | 1/2 | 7 | 177.8 |
| 10309448 | RX-020-R9 | 1/2 | 9 | 228.6 |
| 10309849 | RX-020-R15 | 1/2 | 15 | 381.0 |
| 10309533 | RX-020-R4 | 5/8 | 4 | 101.6 |
| 10309746 | RX-020-R6 | 5/8 | 6 | 152.4 |
| 10309828 | RX-020-R8 | 5/8 | 8 | 203.2 |
| 10309109 | RX-020-R10 | 5/8 | 10 | 254.0 |
| 10309529 | RX-020-R12 | 5/8 | 12 | 304.8 |

- Material: Austenitic stainless steel

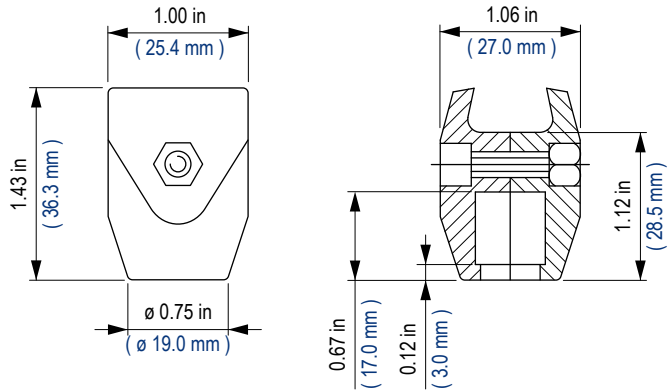
Jointed Adjusting Rod – Grooved



| Part Number | Reference Description | Diameter | | Length | |
|-------------|-----------------------|----------|------|--------|-------|
| | | in | mm | in | mm |
| 10309336 | RX-020J-R3 | 1/2 | 12.7 | 3 | 76.2 |
| 10309538 | RX-020J-R4 | 5/8 | 15.9 | 4 | 101.6 |
| 10309591 | RX-020J-R5 | 1/2 | 12.7 | 5 | 127.0 |
| 10309764 | RX-020J-R6 | 5/8 | 15.9 | 6 | 152.4 |
| 10309751 | RX-020J-R7 | 1/2 | 12.7 | 7 | 177.8 |
| 10309411 | RX-020J-R8 | 5/8 | 15.9 | 8 | 203.2 |
| 10309032 | RX-020J-R9 | 1/2 | 12.7 | 9 | 228.6 |
| 10309110 | RX-020J-R10 | 5/8 | 15.9 | 10 | 254.0 |

– Material: Austenitic stainless steel

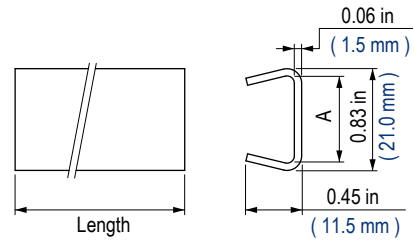
Rod End For Guide Rail



| Part Number | Reference Description | Fastener | Assembled? |
|-------------|-----------------------|----------|------------|
| 10309058 | RX-020-01 | 10-32 | Yes |

- Material: Clamp in acetal (POM)
- Bolt in stainless steel, nut in nickel plated brass
- Use with RX-020-R

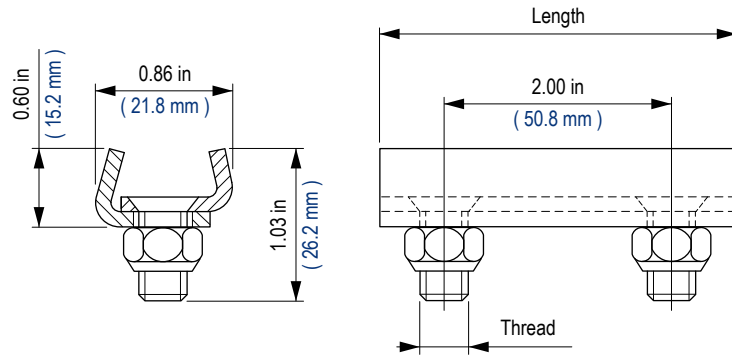
Splice Sleeves



| Part Number | Reference Description | Length | |
|-------------|-----------------------|--------|-------|
| | | in | mm |
| 10309599 | RX-013-01 | 2 | 50.8 |
| 10309133 | RX-013-03 | 3 | 76.2 |
| 10309427 | RX-013-04 | 4 | 101.6 |
| 10309177 | RX-013-06 | 6 | 152.4 |

– Material: Austenitic stainless steel

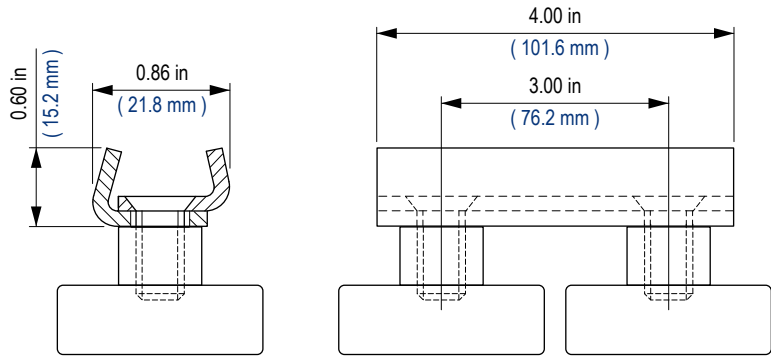
ViseSplice™



| Part Number | Reference Description | Length | | Thread |
|-------------|-----------------------|--------|------|--------|
| | | in | mm | |
| 10309004 | RX-118-03 | 3 | 76.2 | 5/16 |
| 10309819 | RX-118M-04 | 4 | 76.2 | M8 |
| 10148199 | 902-656041 | 3 | 76.2 | M8 |

– Material: Austenitic stainless steel
 – Self-locking nut

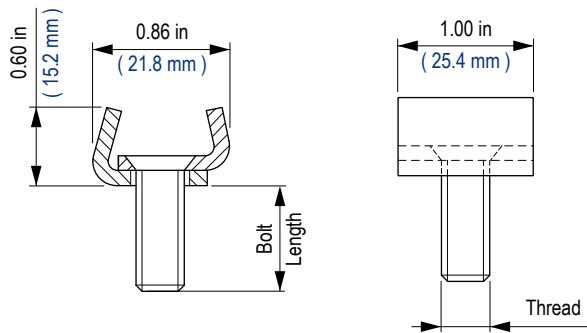
ViseSplice™ With Knobs



| Part Number | Reference Description | Length | |
|-------------|-----------------------|--------|------|
| | | in | mm |
| 10309054 | RX-118-04K | 3 | 76.2 |

- Material: Austenitic stainless steel
- Self-locking nut

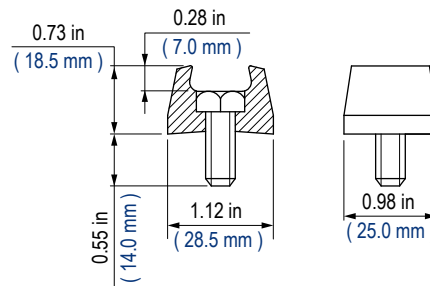
ViseClamp™



| Part Number | Reference Description | Bolt Length | | Thread | With Nut |
|-------------|-----------------------|-------------|------|--------|----------|
| | | in | mm | | |
| 10309025 | RX-018-01 | 0.675 | 17.1 | 5/16 | No |
| 10309580 | RX-018-02 | 0.75 | 19.1 | 5/16 | No |
| 10309755 | RX-018-03 | 1 | 25.4 | 5/16 | No |
| 10309316 | RX-018-04 | 1.25 | 31.8 | 5/16 | No |
| 10309189 | RX-018M-02 | 0.787 | 20.0 | M8 | No |
| 10309274 | RX-018M-04 | 1.18 | 30.0 | M8 | No |
| 10148203 | 903-654111 | 0.82 | 20.8 | 5/16 | No |
| 10148204 | 903-654121 | 1.07 | 27.2 | 5/16 | No |
| 10148209 | 903-656001 | 0.7 | 17.8 | M8 | Yes |
| 10148205 | 903-654741 | 0.57 | 14.5 | 5/16 | Yes |
| 10148201 | 903-654101 | 0.57 | 14.5 | 5/16 | No |

- Material: Austenitic stainless steel
- Self-locking nut

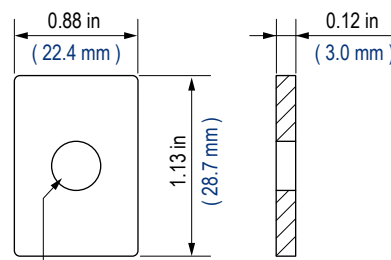
Aluminum Compression Clip



| Part Number | Reference Description | Aluminum | Anodized | Fastener |
|-------------|-----------------------|----------|----------|----------|
| 10309556 | RX-016-01 | X | | 5/16 |
| 10309419 | RX-016-03 | | X | 5/16 |

- Material: Aluminum or anodized aluminum For Heavy Duty applications
- Grips onto rail when bolt is tightened
- Backing plate RX-017 is required when attaching to a connecting rod

Backing Plate

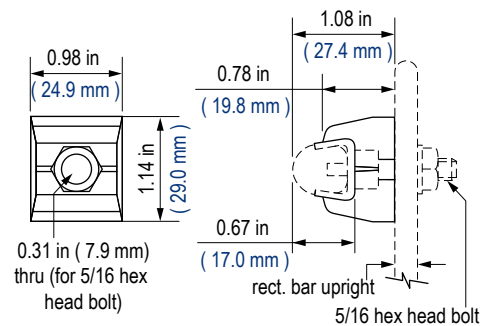


0.34 in (8.6 mm) thru (for 5/16 bolt)

| Part Number | Reference Description |
|-------------|-----------------------|
| 10309194 | RX-017 |

- Material: Stainless steel
- Use with RX-016 series compression clips

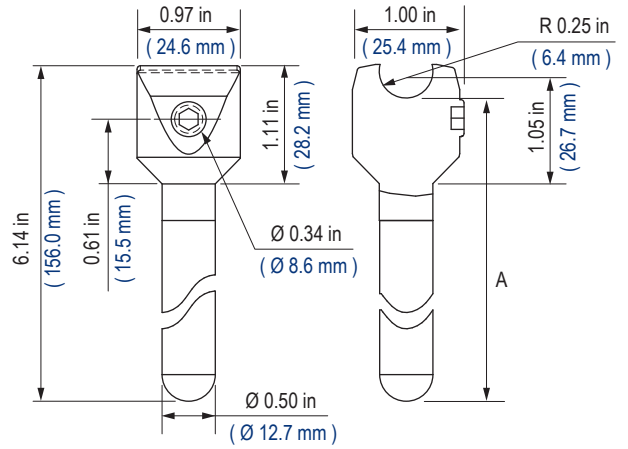
Plastic Compression Clip



| Part Number | Reference Description | Fastener |
|-------------|-----------------------|----------|
| 10309114 | RX-016-02 | 5/16 |

- Material: Acetal (POM)
- For Light Duty applications
- When loose, rail can be snapped into clip
- As tightened, rail is clamped into clip

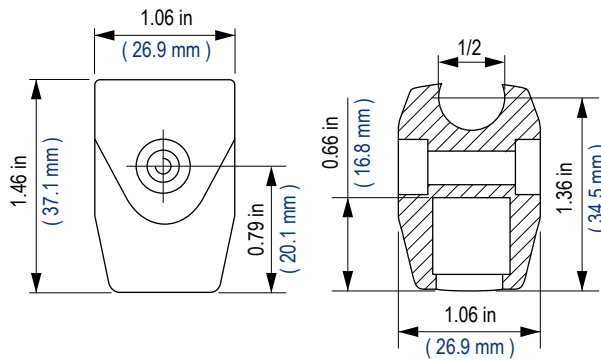
Clamp and Metal Rod Combination for Round Rod



| Part Number | | Reference Description | | A-Length | | Rod Diameter |
|-------------|----------|-----------------------|------------------|----------|-------|--------------|
| Plain | Etched | Plain | Etched | in | mm | in |
| 10309741 | 10309758 | RX-032-12-50 | RX-032-12-50-LN | 5.5 | 139.7 | 1/2 |
| 10309597 | 10308978 | RX-032-12-70 | RX-032-12-70-LN | 7.375 | 187.3 | 1/2 |
| 10309035 | 10308966 | RX-032-12-110 | RX-032-12-110-LN | 11.25 | 255.8 | 1/2 |

- Material: Clamp in reinforced polyamide (PA)
- Stainless steel rod
- Bolt in stainless steel, nut in nickel plated brass
- Injection molding through the stainless steel tube results in a strong and crush-resistant rod.

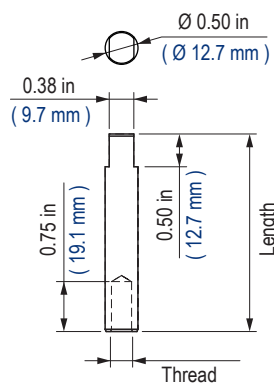
Guide Rail Clamp For Round Rods



| Part Number | Reference Description | Rod Diameter |
|-------------|-----------------------|--------------|
| | | in |
| 10309037 | RX-019-12 | 1/2 |

- Material: Clamp in acetal (POM)
- Bolt in stainless steel, nut in nickel plated brass

Adjusting Rods – Tapped – 1/2in

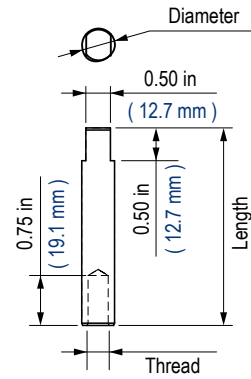


| Part Number | | Reference Description | | Diameter | Thread | Length | |
|-------------|----------|-----------------------|------------------|----------|---------|--------|-------|
| Plain | Etched | Plain | Etched | in | in | in | mm |
| 10309416 | 10309608 | RX-212-3-38 | RX-212-3-38-LN | 1/2 | 3/8-16 | 3 | 76.2 |
| 10309392 | 10309662 | RX-212-3-516 | RX-212-3-516-LN | 1/2 | 5/16-18 | 3 | 76.2 |
| 10309018 | 10309839 | RX-212-4-38 | RX-212-4-38-LN | 1/2 | 3/8-16 | 4 | 101.6 |
| 10309155 | 10309122 | RX-212-4-516 | RX-212-4-516-LN | 1/2 | 5/16-18 | 4 | 101.6 |
| 10309618 | 10309131 | RX-212-5-38 | RX-212-5-38-LN | 1/2 | 3/8-16 | 5 | 127.0 |
| 10309144 | – | RX-212-5-516 | – | 1/2 | 5/16-18 | 5 | 127.0 |
| 10309266 | 10309509 | RX-212-6-14 | RX-212-6-14-LN | 1/2 | 1/4-20 | 6 | 152.4 |
| 10309772 | 10309006 | RX-212-6-38 | RX-212-6-38-LN | 1/2 | 3/8-16 | 6 | 152.4 |
| 10309104 | 10309684 | RX-212-6-516 | RX-212-6-516-LN | 1/2 | 5/16-18 | 6 | 152.4 |
| 10309514 | 10309308 | RX-212-7-14 | RX-212-7-14-LN | 1/2 | 1/4-20 | 7 | 177.8 |
| 10309712 | 10308969 | RX-212-7-38 | RX-212-7-38-LN | 1/2 | 3/8-16 | 7 | 177.8 |
| 10309609 | 10309878 | RX-212-7-516 | RX-212-7-516-LN | 1/2 | 5/16-18 | 7 | 177.8 |
| 10309123 | 10309375 | RX-212-8-38 | RX-212-8-38-LN | 1/2 | 3/8-16 | 8 | 203.2 |
| 10309078 | 10309577 | RX-212-8-516 | RX-212-8-516-LN | 1/2 | 5/16-18 | 8 | 203.2 |
| 10309679 | 10309382 | RX-212-10-14 | RX-212-10-14-LN | 1/2 | 1/4-20 | 10 | 254.0 |
| 10309814 | 10309838 | RX-212-10-38 | RX-212-10-38-LN | 1/2 | 3/8-16 | 10 | 254.0 |
| 10309357 | 10309788 | RX-212-10-516 | RX-212-10-516-LN | 1/2 | 5/16-18 | 10 | 254.0 |
| 10309733 | 10309297 | RX-212-12-38 | RX-212-12-38-LN | 1/2 | 3/8-16 | 12 | 304.8 |
| 10309605 | 10309172 | RX-212-12-516 | RX-212-12-516-LN | 1/2 | 5/16-18 | 12 | 304.8 |
| 10308996 | 10309043 | RX-212-15-38 | RX-212-15-38-LN | 1/2 | 3/8-16 | 15 | 381.0 |
| 10309409 | 10309750 | RX-212-15-516 | RX-212-15-516-LN | 1/2 | 5/16-18 | 15 | 381.0 |
| 10309237 | 10309621 | RX-212-18-38 | RX-212-18-38-LN | 1/2 | 3/8-16 | 18 | 457.2 |
| 10309128 | 10309825 | RX-212-18-516 | RX-212-18-516-LN | 1/2 | 5/16-18 | 18 | 457.2 |
| 10309571 | 10309589 | RX-212-24-38 | RX-212-24-38-LN | 1/2 | 3/8-16 | 24 | 609.6 |
| 10309697 | 10309661 | RX-212-24-516 | RX-212-24-516-LN | 1/2 | 5/16-18 | 24 | 609.6 |

– Material: stainless steel

– Usage: May be used with RX-011-025 or RX-018-01.

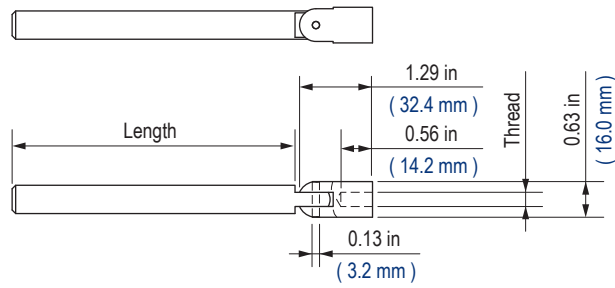
Adjusting Rods – Tapped – 5/8in



| Part Number | | Reference Description | | Diameter | Thread | Length | |
|-------------|----------|-----------------------|------------------|----------|---------|--------|-------|
| Plain | Etched | Plain | Etched | in | in | in | mm |
| 10309160 | 10309094 | RX-232-4-38 | RX-232-4-38-LN | 5/8 | 3/8-16 | 4 | 101.6 |
| 10309713 | 10309666 | RX-232-4-516 | RX-232-4-516-LN | 5/8 | 5/16-18 | 4 | 101.6 |
| 10309784 | 10309143 | RX-232-6-38 | RX-232-6-38-LN | 5/8 | 3/8-16 | 6 | 152.4 |
| 10309860 | 10309383 | RX-232-6-516 | RX-232-6-516-LN | 5/8 | 5/16-18 | 6 | 152.4 |
| 10309280 | 10309460 | RX-232-8-38 | RX-232-8-38-LN | 5/8 | 3/8-16 | 8 | 203.2 |
| 10309451 | 10309525 | RX-232-8-516 | RX-232-8-516-LN | 5/8 | 5/16-18 | 8 | 203.2 |
| 10309347 | 10309723 | RX-232-10-38 | RX-232-10-38-LN | 5/8 | 3/8-16 | 10 | 254.0 |
| 10309417 | 10309142 | RX-232-10-516 | RX-232-10-516-LN | 5/8 | 5/16-18 | 10 | 254.0 |
| 10309185 | 10309771 | RX-232-12-38 | RX-232-12-38-LN | 5/8 | 3/8-16 | 12 | 304.8 |
| 10309667 | 10309234 | RX-232-12-516 | RX-232-12-516-LN | 5/8 | 5/16-18 | 12 | 304.8 |
| 10309441 | 10309555 | RX-232-15-38 | RX-232-15-38-LN | 5/8 | 3/8-16 | 15 | 381.0 |
| 10309824 | 10309836 | RX-232-15-516 | RX-232-15-516-LN | 5/8 | 5/16-18 | 15 | 381.0 |
| 10309547 | 10309719 | RX-232-18-38 | RX-232-18-38-LN | 5/8 | 3/8-16 | 18 | 457.2 |
| 10309044 | 10309532 | RX-232-18-516 | RX-232-18-516-LN | 5/8 | 5/16-18 | 18 | 457.2 |
| 10309572 | 10309275 | RX-232-24-38 | RX-232-24-38-LN | 5/8 | 3/8-16 | 24 | 609.6 |
| 10309261 | 10309465 | RX-232-24-516 | RX-232-24-516-LN | 5/8 | 5/16-18 | 24 | 609.6 |

- Material: 5/8" diameter stainless steel rod
- May be used in conjunction with MP-DRC-025 or MP-SAC-01.

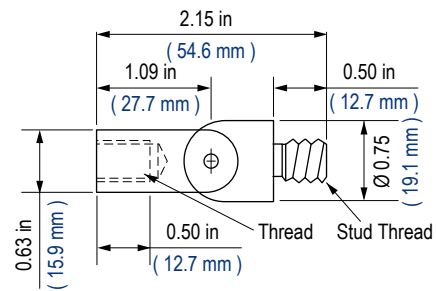
Jointed Adjusting Rod – Tapped



| Part Number | Reference Description | Diameter | Length | | Thread |
|-------------|-----------------------|----------|--------|-------|---------|
| | | | in | mm | |
| 10309641 | RX-212J-3-38 | 1/2 | 3 | 76.2 | 3/8-16 |
| 10309674 | RX-212J-3-516 | 1/2 | 3 | 76.2 | 5/16-18 |
| 10309096 | RX-212J-5-38 | 1/2 | 5 | 127.0 | 3/8-16 |
| 10309221 | RX-212J-5-516 | 1/2 | 5 | 127.0 | 5/16-18 |
| 10309552 | RX-212J-7-38 | 1/2 | 7 | 177.8 | 3/8-16 |
| 10309437 | RX-212J-7-516 | 1/2 | 7 | 177.8 | 5/16-18 |
| 10309557 | RX-212J-9-38 | 1/2 | 9 | 228.6 | 3/8-16 |
| 10309870 | RX-212J-9-516 | 1/2 | 9 | 228.6 | 5/16-18 |
| 10309216 | RX-232J-4-38 | 5/8 | 4 | 101.6 | 3/8-16 |
| 10309470 | RX-232J-4-516 | 5/8 | 4 | 101.6 | 5/16-18 |
| 10309355 | RX-232J-6-38 | 5/8 | 6 | 152.4 | 3/8-16 |
| 10309040 | RX-232J-6-516 | 5/8 | 6 | 152.4 | 5/16-18 |
| 10309732 | RX-232J-8-38 | 5/8 | 8 | 203.2 | 3/8-16 |
| 10309813 | RX-232J-8-516 | 5/8 | 8 | 203.2 | 5/16-18 |
| 10309864 | RX-232J-10-38 | 5/8 | 10 | 254.0 | 3/8-16 |
| 10309290 | RX-232J-10-516 | 5/8 | 10 | 254.0 | 5/16-18 |

– Material: stainless steel

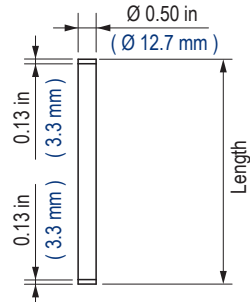
Jointed Rod Adaptor



| Part Number | Reference Description | Stud Thread | Thread |
|-------------|-----------------------|-------------|---------|
| | | | |
| 10309467 | RX-212JQ-38 | 3/8-16 | 3/8-16 |
| 10309345 | RX-212JQ-516 | 5/16-18 | 5/16-18 |

– Material: stainless steel

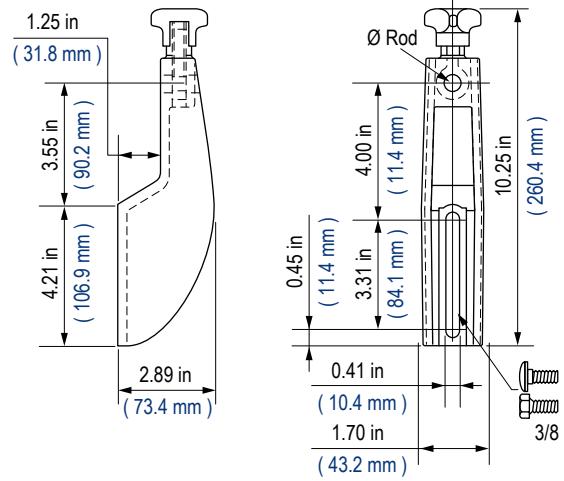
Support Rods With Caps



| Part Number | Reference Description | Diameter | | | Length | |
|-------------|-----------------------|----------|----|-------|--------|----|
| | | in | in | mm | in | mm |
| 10309196 | RX-215-06-12T | 1/2 | 6 | 152.4 | | |
| 10309583 | RX-215-09-12T | 1/2 | 9 | 228.6 | | |
| 10309725 | RX-215-12-12T | 1/2 | 12 | 304.8 | | |

- Material: Stainless steel rods with polyethylene (PE) end caps
- Usage: Allows for easy positioning of guide rails

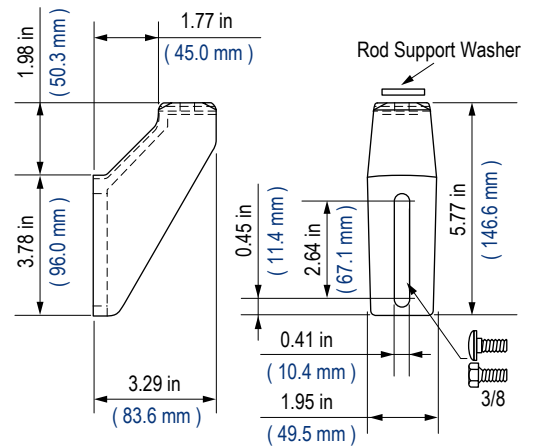
Heavy Duty Guide Rail Bracket with Eyebolt – 221



| Part Number | Reference Description | Rod Diameter |
|-------------|-----------------------|--------------|
| | | in |
| 10309722 | RX-221-12 | 1/2 |
| 10309775 | RX-221-58 | 5/8 |

– Material: Bracket body in polyamide (PA), nickel plated brass knob and stainless steel hardware

Bracket Body – 203L

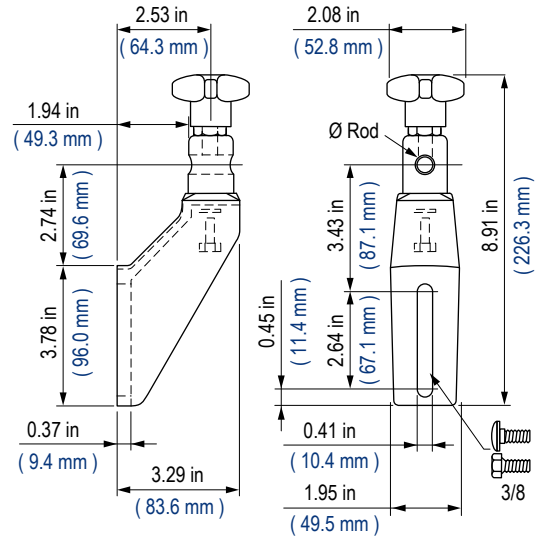


| Part Number | Reference Description |
|-------------|-----------------------|
| 10309513 | RX-203L |

– Material: Bracket body in polyamide (PA), stainless steel washer.

– Rod not included

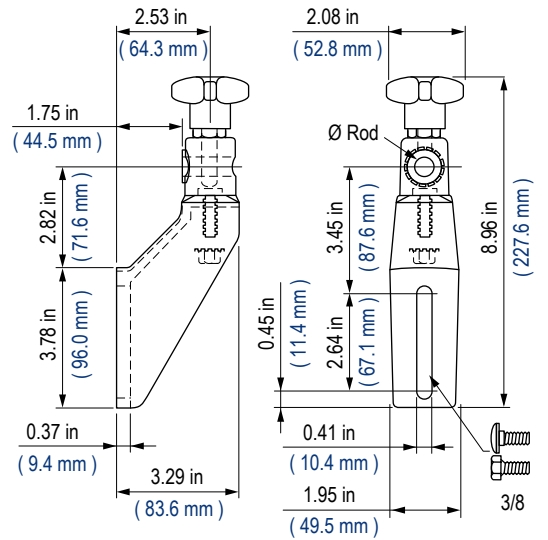
Guide Rail Bracket with Stainless Swivel Head – 203LHS



| Part Number | Reference Description | Rod Diameter |
|-------------|-----------------------|--------------|
| | | in |
| 10309299 | RX-203LHS-12 | 1/2 |
| 10309831 | RX-203LHS-58 | 5/8 |

– Material: Bracket body and knob in polyamide (PA), stainless steel swivel head and hardware

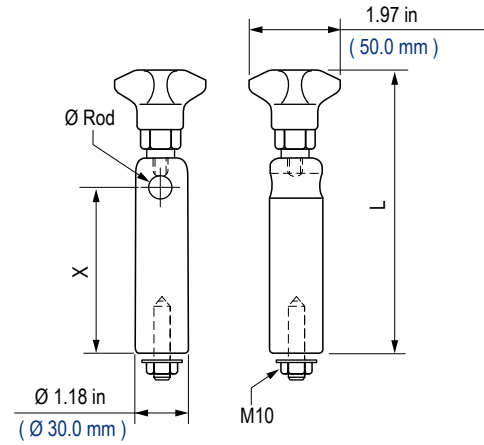
Guide Rail Bracket with Swivel Head – 203LTC



| Part Number | Reference Description | Rod Diameter |
|-------------|-----------------------|--------------|
| | | in |
| 10309075 | RX-203LTC-12 | 1/2 |
| 10309440 | RX-203LTC-58 | 5/8 |

– Material: Bracket body, transition cap and knob in polyamide (PA), stainless steel hardware

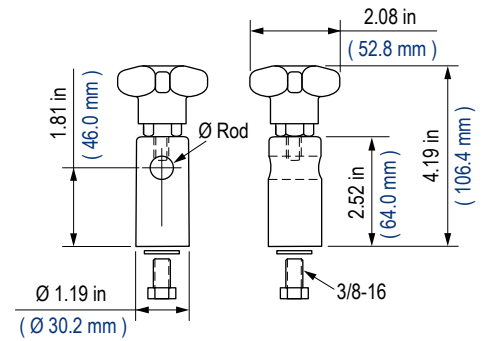
Swivel Cap Assembly – 13129V



| Without Lag Holes | | Height - X | | Height - L | | Rod Diameter |
|-------------------|-----------------------|------------|-------|------------|-------|--------------|
| Part Number | Reference Description | in | mm | in | mm | in |
| 10309228 | RX-13130V | 5.12 | 130.0 | 5.71 | 145.0 | 1/2 |
| 10308982 | RX-13129V | 3.54 | 89.9 | 4.21 | 106.9 | 5/8 |

- Material: Polyamide (PA) knob, stainless steel cap and hardware.
- No tools required

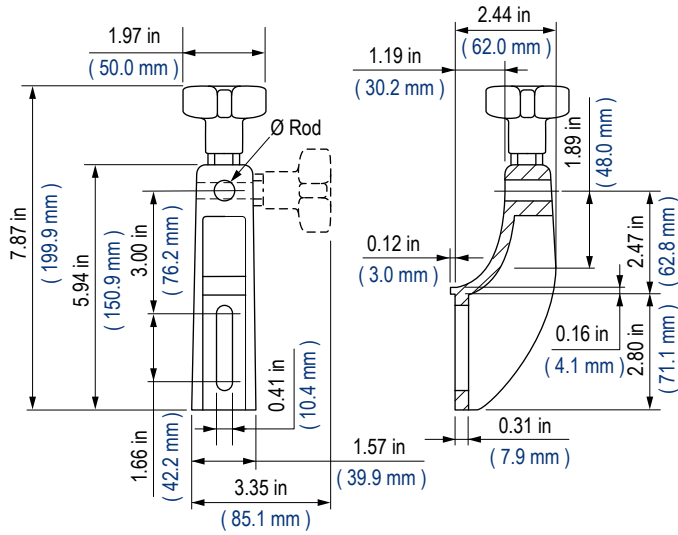
Swivel Cap Assembly – 203HTS



| Without Lag Holes | | Rod Diameter |
|-------------------|-----------------------|--------------|
| Part Number | Reference Description | in |
| 10309578 | RX-203HTS-12 | 1/2 |
| 10309816 | RX-203HTS-58 | 5/8 |

- Material: Polyamide (PA) knob, stainless steel cap and hardware.
- No tools required
- For use with RX-203L bracket body

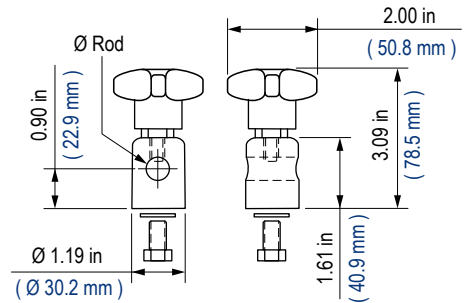
Guide Rail Bracket with Eyebolt – 210



| Part Number | Reference Description | Rod Diameter |
|-------------|-----------------------|--------------|
| | | in |
| 10309880 | - | 1/2 |
| 10309368 | - | 5/8 |

- Material: Bracket body, transition cap and knob in polyamide (PA), nickel plated brass knob and stainless steel hardware

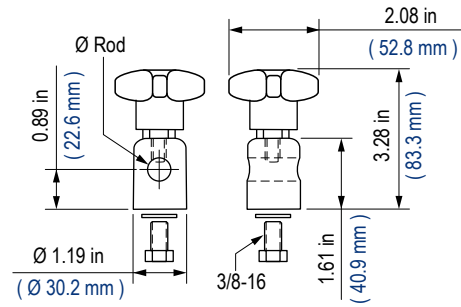
Swivel Cap Assembly – 202HS



| Part Number | Reference Description | Rod Diameter |
|-------------|-----------------------|--------------|
| | | in |
| 10309333 | RX-202HS-12 | 1/2 |
| 10309273 | RX-202HS-58 | 5/8 |

- Material: Polyamide (PA) knob, stainless steel cap, and hardware
 - No tools required.

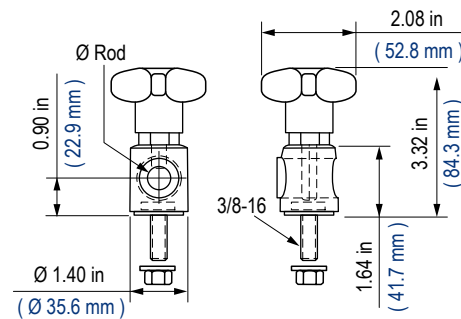
Swivel Cap Assembly – 203HS



| Part Number | Reference Description | Rod Diameter |
|-------------|-----------------------|--------------|
| | | in |
| 10309522 | RX-203HS-12 | 1/2 |
| 10309796 | RX-203HS-58 | 5/8 |

- Material: Polyamide (PA) knob, stainless steel cap, and hardware
- No tools required
- For use on RX-203L body

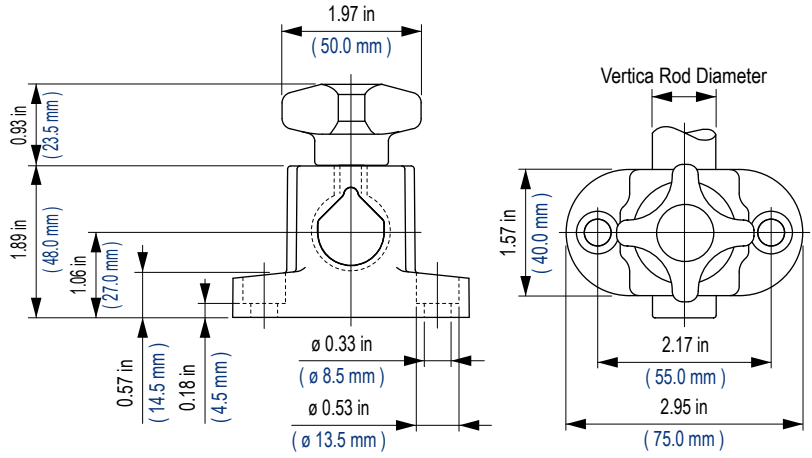
Swivel Cap Assembly – 203TC



| Part Number | Reference Description | Rod Diameter |
|-------------|-----------------------|--------------|
| | | in |
| 10309342 | RX-203TC-12 | 1/2 |
| 10309064 | RX-203TC-58 | 5/8 |

- Material: Polyamide (PA) knob and cap, stainless steel eyelet and nut

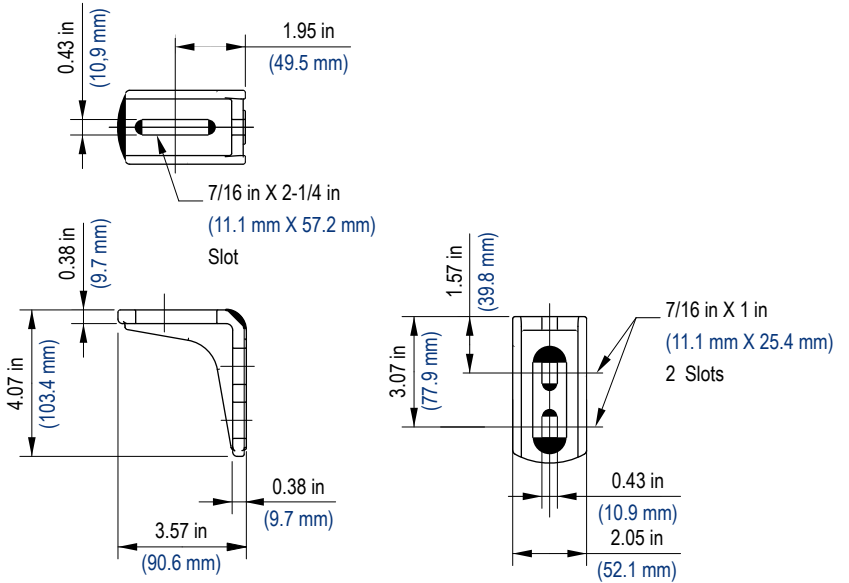
T-Clamp With Eyebolt



| Part Number | Reference Description | Rod Diameter |
|-------------|-----------------------|--------------|
| | | in |
| 10139404 | 763-610633 | 3/4 |

– Material: clamp and knob in reinforced polyamide (PA), threaded insert in nickel plated brass; nut, washer and eyebolt in stainless steel

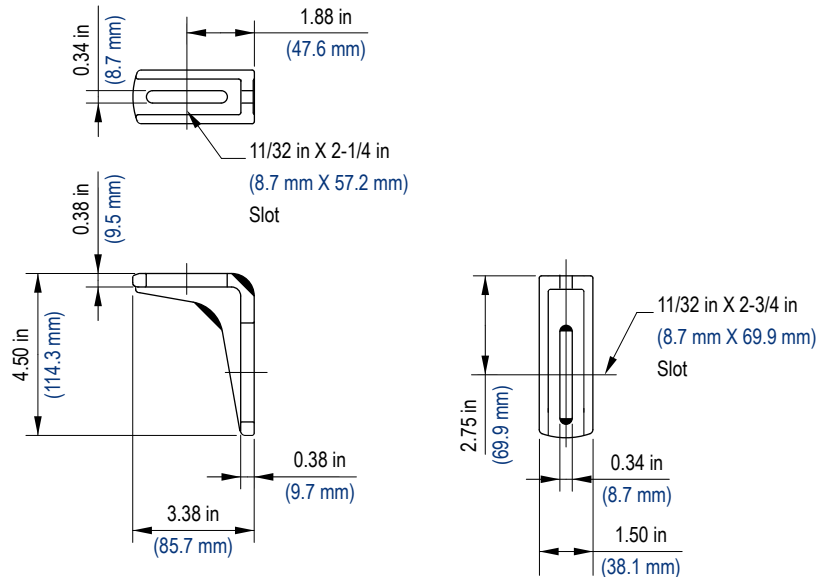
Lower Conveyor Bracket – Type 1



| Part Number | Reference Description |
|-------------|-----------------------|
| 10072876 | 114-399-1 |

– Material: Reinforced black polyamide (PA)

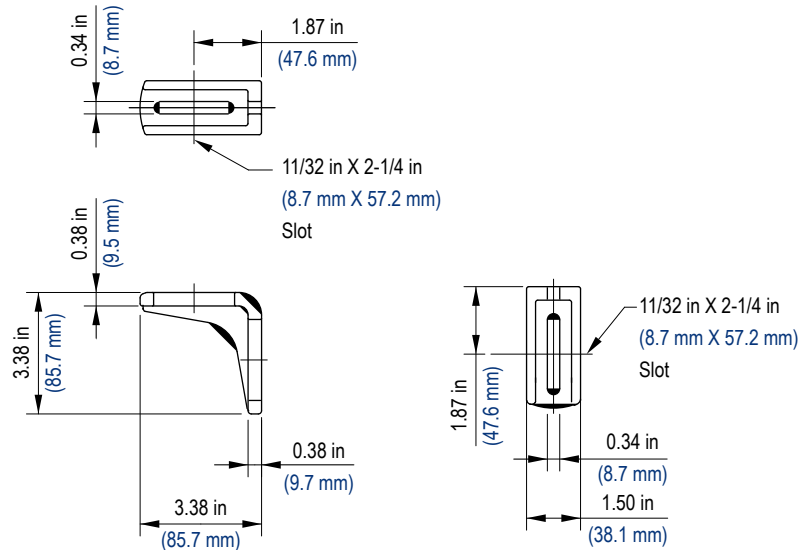
Lower Conveyor Bracket – Type 2



| Part Number | Reference Description |
|-------------|-----------------------|
| 10075613 | 114-671-1 |

– Material: Reinforced black polyamide (PA)

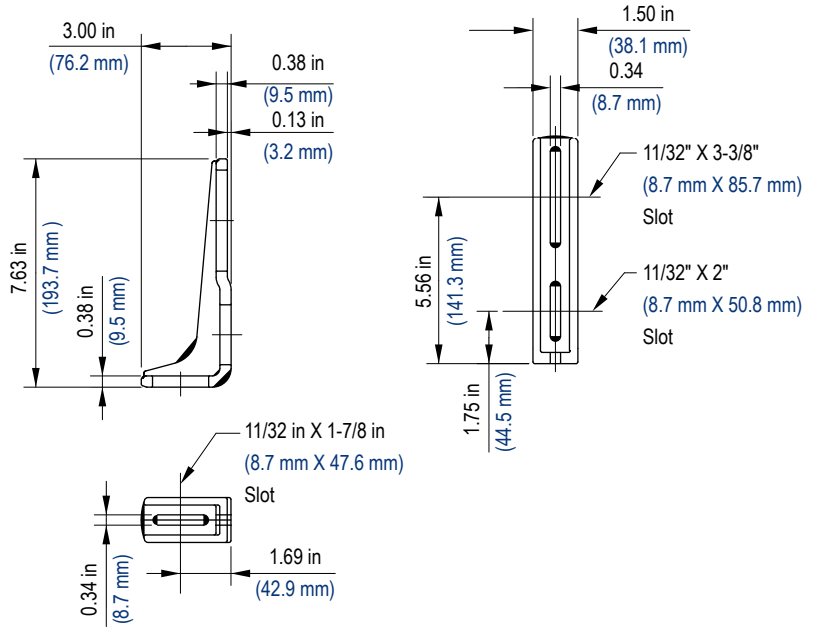
Lower Conveyor Bracket – Type 3



| Part Number | Reference Description |
|-------------|-----------------------|
| 10075615 | 114-673-1 |

– Material: Reinforced black polyamide (PA)

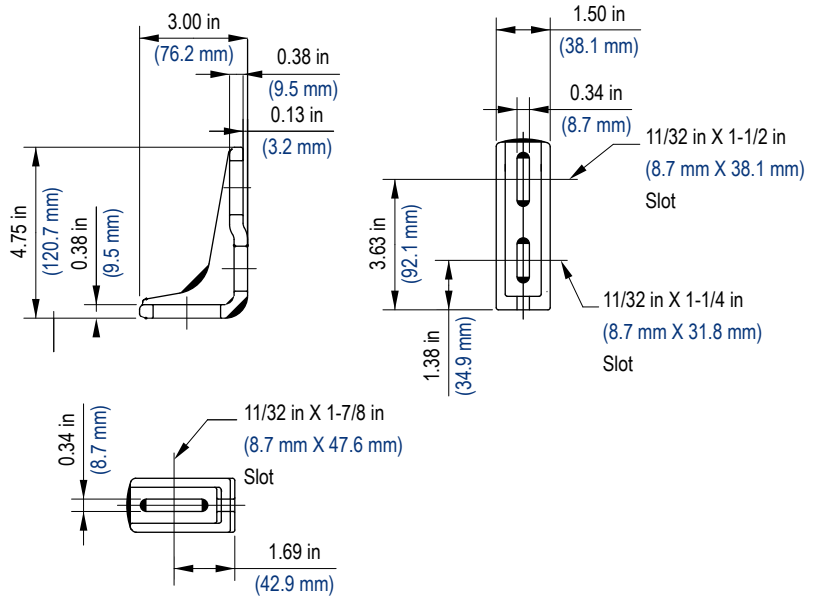
Upper Conveyor Bracket – Type A



| Part Number | Reference Description |
|-------------|-----------------------|
| 10075616 | 114-674-1 |

– Material: Reinforced black polyamide (PA)

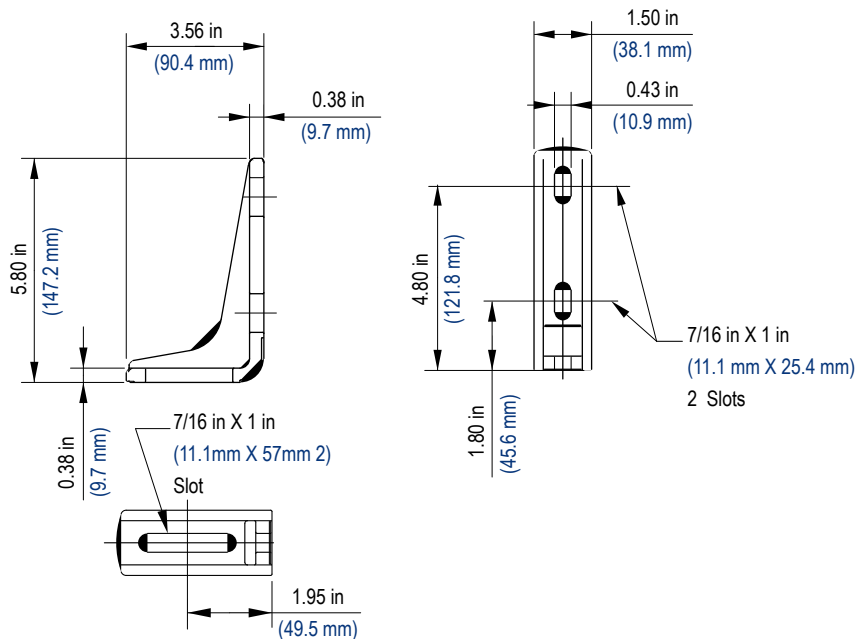
Upper Conveyor Bracket – Type B



| Part Number | Reference Description |
|-------------|-----------------------|
| 10075614 | 114-672-1 |

– Material: Reinforced black polyamide (PA)

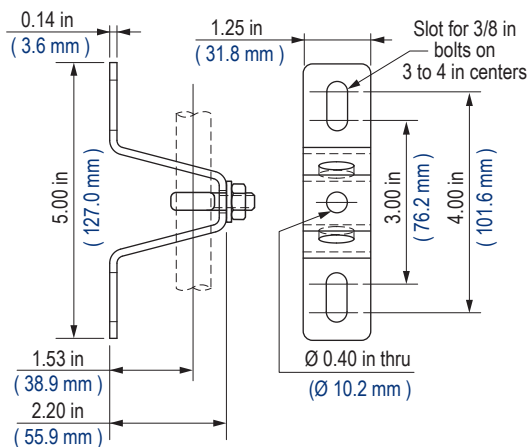
Upper Conveyor Bracket – Type C



| Part Number | Reference Description |
|-------------|-----------------------|
| 10072867 | 114-398-1 |

– Material: Reinforced black polyamide (PA)

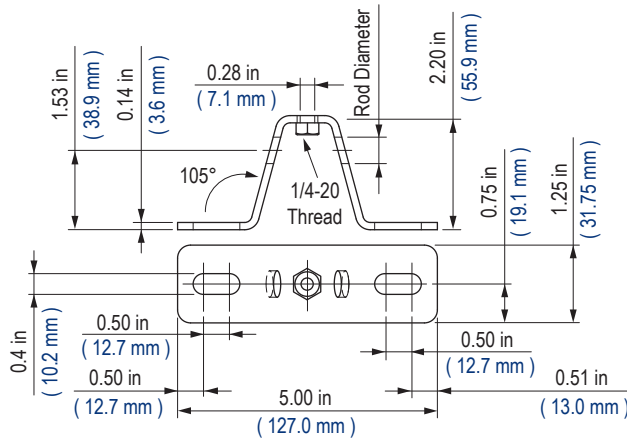
Bracket With Eyelet and Nut – 253N



| Part Number | Reference Description | Rod Diameter |
|-------------|-----------------------|--------------|
| | | in |
| 10309410 | RX-253N-S-12 | 1/2 |
| 10309293 | RX-253N-S-58 | 5/8 |

- Material: Stainless steel bracket and hardware
- Usage: Provides positioning of round rods
- Heavy duty for increased strength
- Rod not included

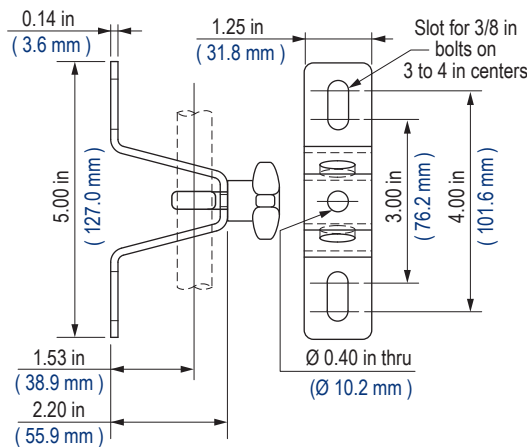
Bracket With Hex Head Bolt – 253B



| Part Number | Reference Description | Rod Diameter |
|-------------|-----------------------|--------------|
| | | in |
| 10309566 | RX-253B-S-12 | 1/2 |
| 10309312 | RX-253B-S-58 | 5/8 |

- Material: Stainless steel bracket and hardware
- Usage: Provides positioning of round rods
- Heavy duty for increased strength
- No tools required
- Rod not included

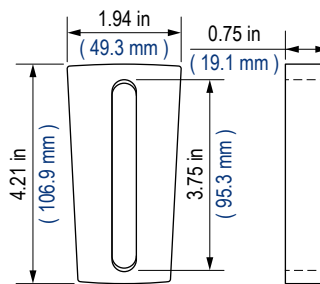
Bracket With Hex Hand Knob – 253K



| Part Number | Reference Description | Rod Diameter |
|-------------|-----------------------|--------------|
| | | in |
| 10309130 | RX-253K-S-12 | 1/2 |
| 10309389 | RX-253K-S-58 | 5/8 |

- Material: Stainless steel bracket and hardware. Knob in polyamide (PA)
- Usage: Provides positioning of round rods
- Heavy duty for increased strength
- No tools required
- Rod not included

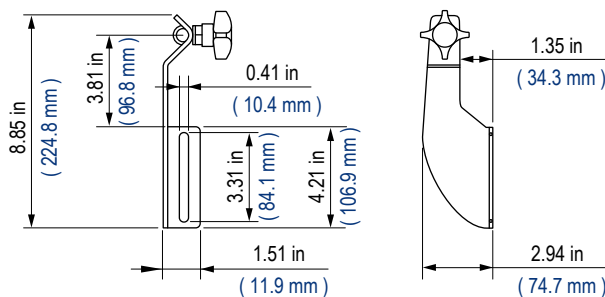
Spacer – 293



| Part Number | Reference Description |
|-------------|-----------------------|
| 10309835 | RX-293 |

- Material: Black polyamide (PA)
- Used alone or in multiples to increase distance between RX-221 brackets and conveyor frame

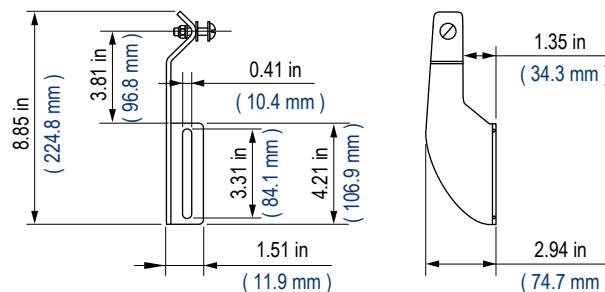
Heavy Duty Stainless Steel Bracket With Knob



| Part Number | Reference Description | Rod Diameter |
|-------------|-----------------------|--------------|
| | | in |
| 10309251 | RX-223-12-01 | 1/2 |
| 10309672 | RX-223-58-01 | 5/8 |

- Material: Stainless steel bracket, polyamide (PA) knob
- Usage: Provides positioning of round rods
- Sanitary design.
- High temperature and corrosion resistant

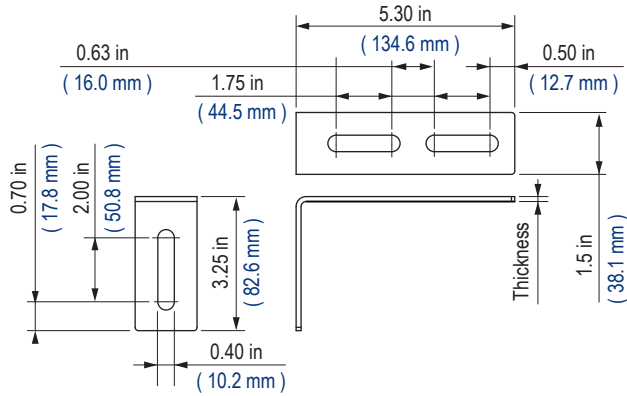
Heavy Duty Stainless Steel Bracket With Nut



| Part Number | Reference Description | Rod Diameter |
|-------------|-----------------------|--------------|
| | | in |
| 10309700 | RX-223N-12-01 | 1/2 |
| 10309372 | RX-223N-58-01 | 5/8 |

- Material: Stainless steel bracket and hardware
- Usage: Provides positioning of round rods
- Sanitary design.
- High temperature and corrosion resistant

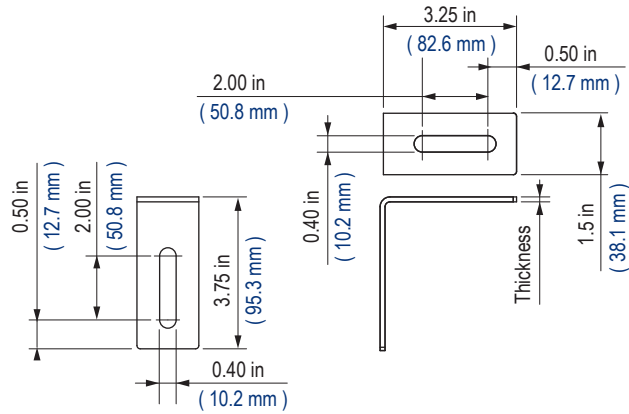
Long Angle Bracket – Double Slot



| Part Number | Reference Description | Material | Thickness | |
|-------------|-----------------------|---------------|-----------|-----|
| | | | in | mm |
| 10308983 | RX-205-A-18-S | SS | 1/8 | 3.2 |
| 10309007 | RX-205-A-316-S | SS | 3/16 | 4.8 |
| 10309138 | RX-205-A-14-S | SS | 1/4 | 6.4 |
| 10309264 | RX-205-A-18-P | Chrome Plated | 1/8 | 3.2 |
| 10309066 | RX-205-A-316-P | Chrome Plated | 3/16 | 4.8 |
| 10309298 | RX-205-A-14-P | Chrome Plated | 1/4 | 6.4 |

– Material: Brackets are either 304 stainless steel or chrome plated

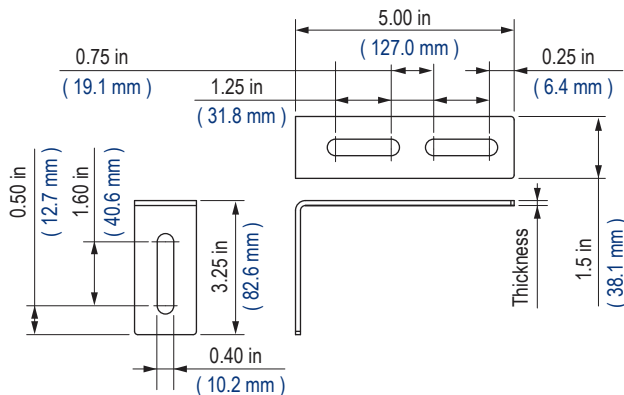
Standard Angle Bracket – Single Slot



| Part Number | Reference Description | Material | Thickness | |
|-------------|-----------------------|---------------|-----------|-----|
| | | | in | mm |
| 10309647 | RX-205-B-18-S | SS | 1/8 | 3.2 |
| 10309545 | RX-205-B-316-S | SS | 3/16 | 4.8 |
| 10309099 | RX-205-B-14-S | SS | 1/4 | 6.4 |
| 10309371 | RX-205-B-18-P | Chrome Plated | 1/8 | 3.2 |
| 10309108 | RX-205-B-316-P | Chrome Plated | 3/16 | 4.8 |
| 10309263 | RX-205-B-14-P | Chrome Plated | 1/4 | 6.4 |

– Material: Brackets are either 304 stainless steel or chrome plated

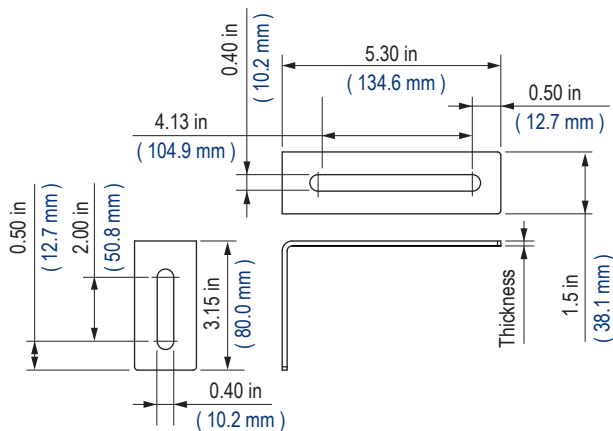
Standard Angle Bracket – Double Slot



| Part Number | Reference Description | Material | Thickness | |
|-------------|-----------------------|---------------|-----------|-----|
| | | | in | mm |
| 10309787 | RX-205-C-18-S | SS | 1/8 | 3.2 |
| 10309794 | RX-205-C-316-S | SS | 3/16 | 4.8 |
| 10309137 | RX-205-C-14-S | SS | 1/4 | 6.4 |
| 10309842 | RX-205-C-18-P | Chrome Plated | 1/8 | 3.2 |
| 10309747 | RX-205-C-316-P | Chrome Plated | 3/16 | 4.8 |
| 10309588 | RX-205-C-14-P | Chrome Plated | 1/4 | 6.4 |

– Material: Brackets are either 304 stainless steel or chrome plated

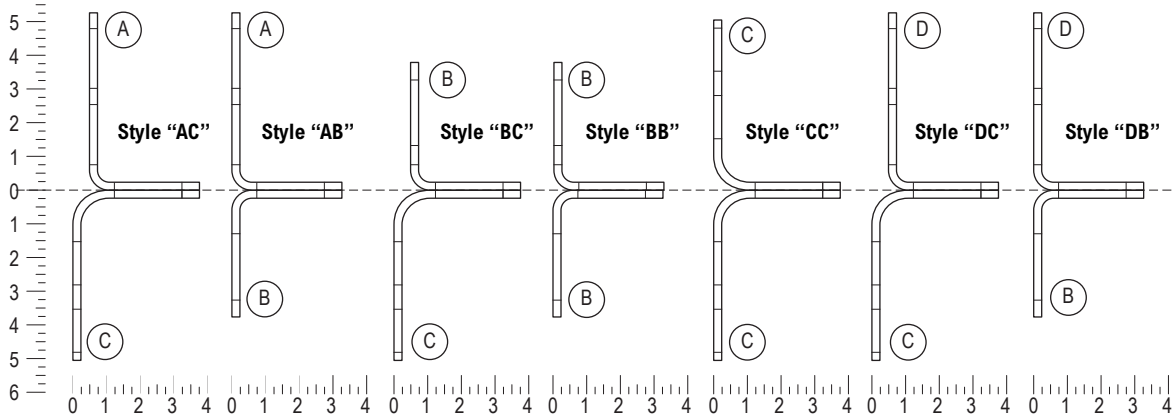
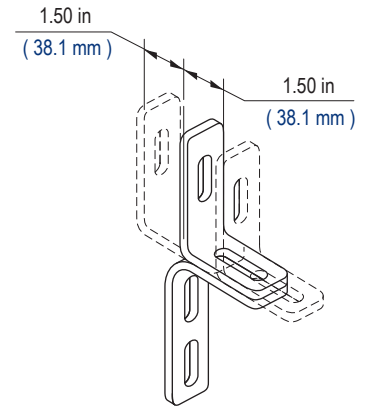
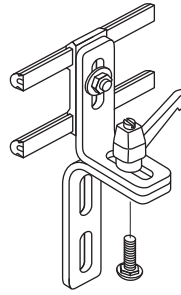
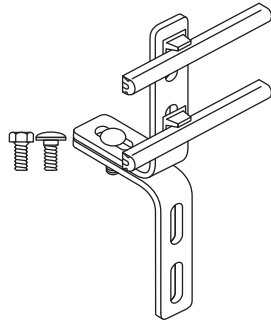
Long Angle Bracket – Single Slot



| Part Number | Reference Description | Material | Thickness | |
|-------------|-----------------------|---------------|-----------|-----|
| | | | in | mm |
| 10309706 | RX-205-D-18-S | SS | 1/8 | 3.2 |
| 10309603 | RX-205-D-316-S | SS | 3/16 | 4.8 |
| 10309827 | RX-205-D-14-S | SS | 1/4 | 6.4 |
| 10309868 | RX-205-D-18-P | Chrome Plated | 1/8 | 3.2 |
| 10309443 | RX-205-D-316-P | Chrome Plated | 3/16 | 4.8 |
| 10309876 | RX-205-D-14-P | Chrome Plated | 1/4 | 6.4 |

– Material: Brackets are either 304 stainless steel or chrome plated

Standard Metal "L" Bracket Assemblies

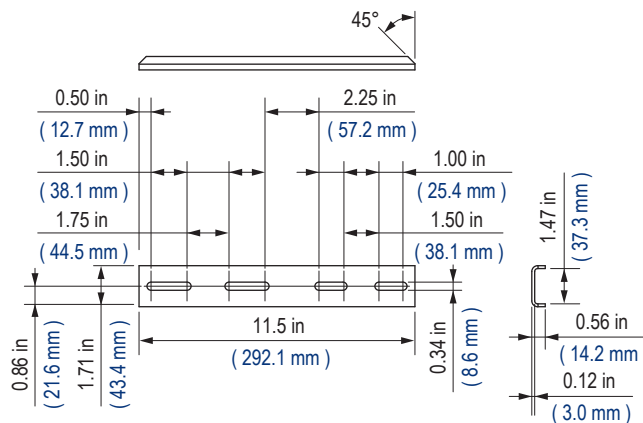


| Material | Style AC | | Style AB | | Style BC | | Style BB | |
|----------|-------------|-----------------|-------------|-----------------|-------------|-----------------|-------------|-----------------|
| | Part Number | Ref Description | Part Number | Ref Description | Part Number | Ref Description | Part Number | Ref Description |
| SS | 10309384 | RX-205-AC-18-S | 10309563 | RX-205-AB-18-S | 10309132 | RX-205-BC-18-S | 10309214 | RX-205-BB-18-S |
| | 10309303 | RX-205-AC-316-S | 10309436 | RX-205-AB-316-S | 10309021 | RX-205-BC-316-S | 10309548 | RX-205-BB-316-S |
| | 10309208 | RX-205-AC-14-S | 10309320 | RX-205-AB-14-S | 10309116 | RX-205-BC-14-S | 10309119 | RX-205-BB-14-S |
| ZN | 10308971 | RX-205-AC-18-P | 10309602 | RX-205-AB-18-P | 10309184 | RX-205-BC-18-P | 10309521 | RX-205-BB-18-P |
| | 10309628 | RX-205-AC-316-P | 10309213 | RX-205-AB-316-P | 10309768 | RX-205-BC-316-P | 10309211 | RX-205-BB-316-P |
| | 10309175 | RX-205-AC-14-P | 10309754 | RX-205-AB-14-P | 10309875 | RX-205-BC-14-P | 10309424 | RX-205-BB-14-P |

| Material | Style CC | | Style DC | | Style DB | |
|----------|-------------|-----------------|-------------|-----------------|-------------|-----------------|
| | Part Number | Ref Description | Part Number | Ref Description | Part Number | Ref Description |
| SS | 10309582 | RX-205-CC-18-S | 10309129 | RX-205-DC-18-S | 10309223 | RX-205-DB-18-S |
| | 10309574 | RX-205-CC-316-S | 10309501 | RX-205-DC-316-S | 10309421 | RX-205-DB-316-S |
| | 10309341 | RX-205-CC-14-S | 10309002 | RX-205-DC-14-S | 10309671 | RX-205-DB-14-S |
| ZN | 10309399 | RX-205-CC-18-P | 10309187 | RX-205-DC-18-P | 10309167 | RX-205-DB-18-P |
| | 10309386 | RX-205-CC-316-P | 10309731 | RX-205-DC-316-P | 10309242 | RX-205-DB-316-P |
| | 10309258 | RX-205-CC-14-P | 10309439 | RX-205-DC-14-P | 10309304 | RX-205-DB-14-P |

- All kits are supplied with basic hardware
- Stainless brackets get stainless hardware
- Plated brackets get plated hardware

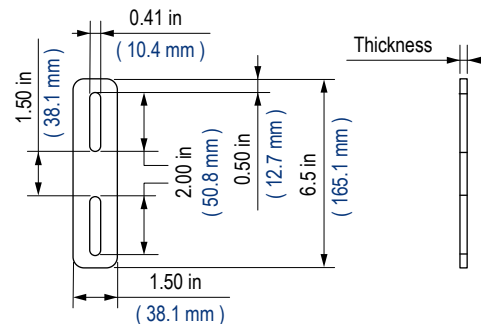
Fixed Guide Rail Bracket



| Part Number | Reference Description | Material | Length | |
|-------------|-----------------------|----------|--------|-------|
| | | | in | mm |
| 10309523 | RX-201-S115 | SS | 11.50 | 292.1 |

- Material: 304 stainless steel

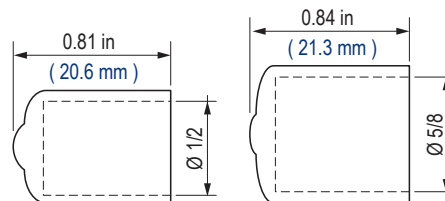
Adjustable Support Bar



| Part Number | Reference Description | Material | Thickness | | Length | |
|-------------|-----------------------|----------|-----------|-----|--------|-------|
| | | | in | mm | in | mm |
| 10309319 | RX-204-B14-S | SS | 0.25 | 6.4 | 6.50 | 165.1 |

- Material: Stainless steel
- Usage: Support for guide rail.
- Longer slots for greater adjustability
- Used with 3/8 in bolts

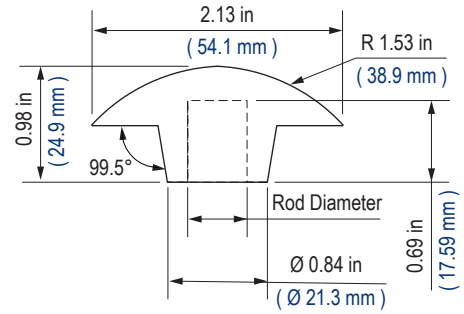
Adjusting Rod Protective Caps



| Part Number | Reference Description | Color | Rod Diameter |
|-------------|-----------------------|--------|--------------|
| | | | in |
| 10309163 | RX-200-4R | Red | 1/2 |
| 10309728 | RX-200-4Y | Yellow | 1/2 |
| 10309276 | RX-200-5R | Red | 5/8 |
| 10309135 | RX-200-5Y | Yellow | 5/8 |

- Material: PVC
- Usage: Can be used with RX-212 or RX-232 series adjusting rods

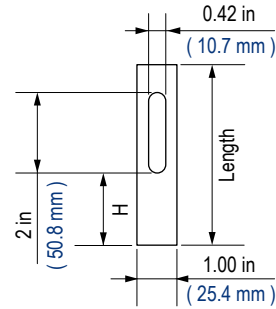
Adjusting Rod Safety Caps



| Part Number | Reference Description | Rod Diameter |
|-------------|-----------------------|--------------|
| | | in |
| 10309268 | RX-200-225-12-B | 1/2 |
| 10308972 | RX-200-225-58-B | 5/8 |

- Material: Black rubber
- Protects personnel from exposed rod ends

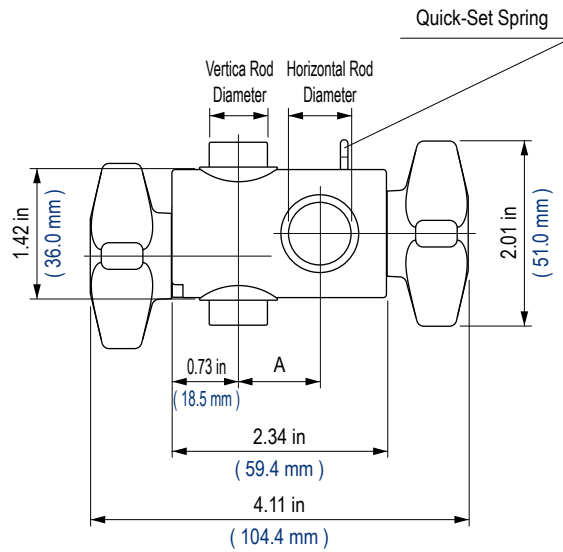
Mounting Bars



| Part Number | Reference Description | Material | Length | | H | |
|-------------|-----------------------|----------|--------|-------|------|------|
| | | | in | mm | in | mm |
| 10309761 | RX-204F-45-316S | SS | 4.50 | 114.3 | 0.70 | 17.8 |
| 10309065 | RX-204F-75-316S | SS | 7.50 | 190.5 | 1.8 | 45.7 |

- Material: Stainless steel bracket and hardware
- 3/8in carriage bolt and washer are included

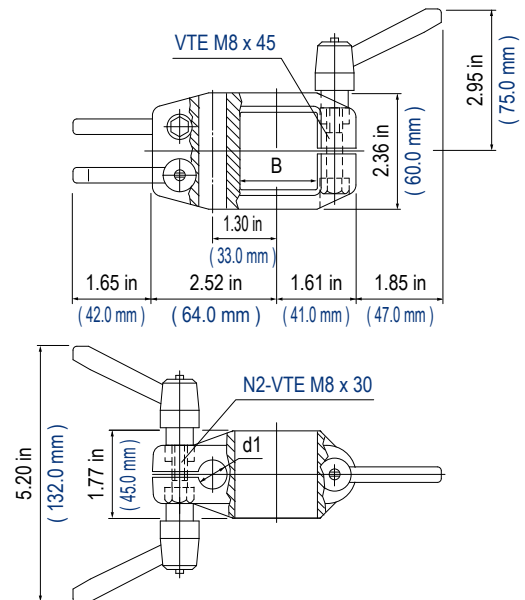
Cross Block with Quick-Set



| Part Number | Reference Description | Vertical Dia | Horizontal Dia | A | |
|-------------|-----------------------|--------------|----------------|------|------|
| | | in | in | in | mm |
| 10138977 | 732-692352N | 1/2 | 1/2 | 0.95 | 24.1 |
| 10138978 | 732-692362N | 1/2 | 5/8 | 0.95 | 24.1 |
| 10138979 | 732-692372N | 5/8 | 5/8 | 0.87 | 22.0 |

- Material: Clamp and knobs in reinforced polyamide (PA), eyebolts in stainless steel
- Quick Set spring on one of the two rods

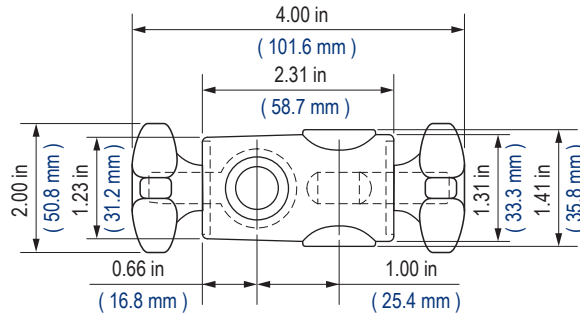
Cross Clamp with Ratchet Handle Clamping – Square Bore



| Part Number | Reference Description | Vertical Dia | Horizontal Dia |
|-------------|-----------------------|--------------|----------------|
| | | in | in |
| 10138058 | 655-673132N | 5/8 | 1-1/2 Tube |
| 10138059 | 655-673142N | 3/4 | 1-1/2 Tube |

- Material clamp: Body in reinforced polyamide (PA), stainless steel hardware
- Material handles: Body in reinforced polyamide (PA), threaded insert in nickel plated brass

Heavy Duty Cross Blocks



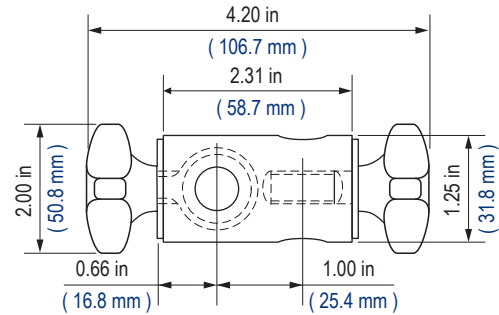
| Part Number | Reference Description | No. of Knobs | No. of Nuts | Rod Diameter 1 | Rod Diameter 2 |
|-------------|-----------------------|--------------|-------------|----------------|----------------|
| | | | | in | in |
| 10309850 | RX-621-12-12 | 2 | – | 1/2 | 1/2 |
| 10309103 | RX-621-12-58 | 2 | – | 1/2 | 5/8 |
| 10309146 | RX-621-58-58 | 2 | – | 5/8 | 5/8 |
| 10309260 | RX-621NK-12-12 | 1 | 1 | 1/2 | 1/2 |
| 10309551 | RX-621NK-12-58 | 1 | 1 | 1/2 | 5/8 |
| 10308986 | RX-621NK-58-58 | 1 | 1 | 5/8 | 5/8 |
| 10309431 | RX-621NN-12-12 | – | 2 | 1/2 | 1/2 |
| 10309272 | RX-621NN-12-58 | – | 2 | 1/2 | 5/8 |
| 10309652 | RX-621NN-58-58 | – | 2 | 5/8 | 5/8 |

– Material: Polyamide (PA) body. Polyamide (PA) knob with brass insert. Stainless steel hardware

Three versions:

- Two-knob version for easy horizontal and vertical adjustment
- One-knob, one nut version for one side adjustment
- Two nut version (with supplied lock washers) which allow for permanent positioning
- Rods not included

Stainless Steel Cross Blocks



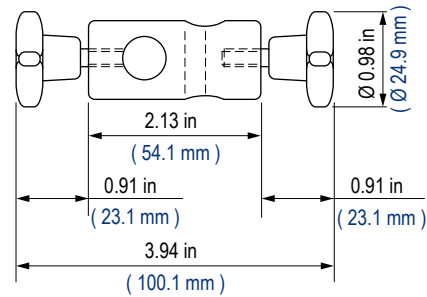
| Part Number | Reference Description | No. of Knobs | No. of Nuts | Rod Diameter 1 | Rod Diameter 2 |
|-------------|-----------------------|--------------|-------------|----------------|----------------|
| | | | | in | in |
| 10309244 | RX-621SNK-12-12 | 1 | 1 | 1/2 | 1/2 |
| 10309517 | RX-621SNK-12-58 | 1 | 1 | 1/2 | 5/8 |
| 10308980 | RX-621SNK-58-58 | 1 | 1 | 5/8 | 5/8 |
| 10309199 | RX-621SNN-12-12 | – | 2 | 1/2 | 1/2 |
| 10309313 | RX-621SNN-12-58 | – | 2 | 1/2 | 5/8 |
| 10309696 | RX-621SNN-58-58 | – | 2 | 5/8 | 5/8 |

– Material: Stainless steel body. Polyamide (PA) knob with brass insert. Stainless steel hardware

Two versions:

- One-knob, one nut version for one side adjustment
- Two nut version (with supplied lock washers) which allow for permanent positioning
- Rods not included

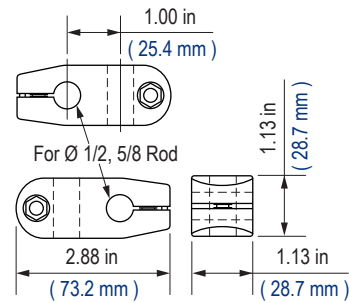
Light Duty Cross Block



| Part Number | Reference Description | Rod Diameter 1 | Rod Diameter 2 |
|-------------|-----------------------|----------------|----------------|
| | | in | in |
| 10309254 | RX-13182 | 1/2 | 1/2 |

- Material: Body and knobs in polyamide (PA)
- Usage: Connects two round rods at 90°
- Light duty

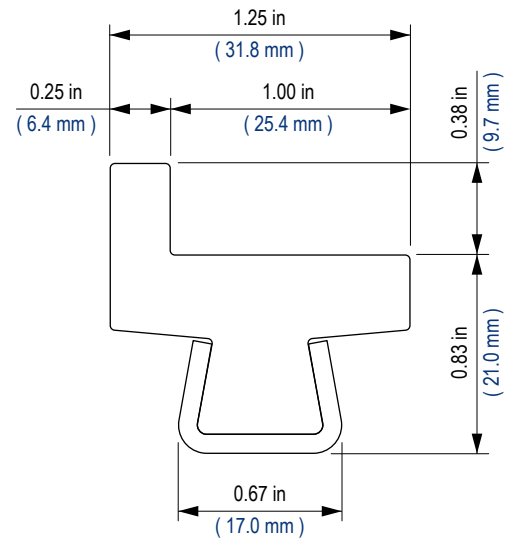
Cross Block



| Part Number | Reference Description | Rod Diameter 1 | Rod Diameter 2 | Setscrew |
|-------------|-----------------------|----------------|----------------|----------|
| | | in | in | |
| 10309200 | RX-620-12-12 | 1/2 | 1/2 | No |
| 10309592 | RX-620-12-58 | 1/2 | 5/8 | No |
| 10309492 | RX-620-58-58 | 5/8 | 5/8 | No |

- Material: Body in acetal (POM). Stainless steel 1/4-20 bolts and nickel-plated brass nuts
- Usage: Connects two round rods at 90°
- For horizontal or vertical adjustment

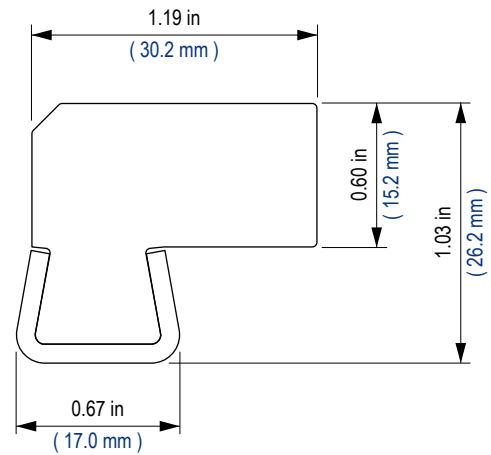
EII Tee Edge Guide



| Part Number | Reference Description | Plastic Profile Material | Length | |
|-------------|-----------------------|--------------------------|--------|------|
| | | | ft | m |
| 10324390 | RX-SSLTS-1.0X.38-10 | UHMWPE | 10 | 3.05 |
| 10350064 | – | ULF™ | 10 | 3.05 |

- Material: polyethylene UHMWPE (white) with molecular density 5,600,000 g/mol
- 14-gauge stainless steel sheath
- Linear expansion coefficient: $2.2 \times 10^{-5} \text{ } ^\circ\text{F}^{-1}$ ($4 \times 10^{-5} \text{ } ^\circ\text{C}^{-1}$)
- See engineering manual for calculation of thermal expansion.
- ULF version is solid (no groove)

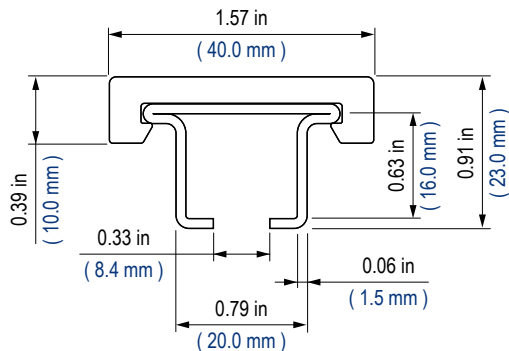
Tab Guide



| Part Number | Reference Description | Plastic Profile Material | Length | |
|-------------|-----------------------|--------------------------|--------|------|
| | | | ft | m |
| 10324403 | 514-236-1 | UHMWPE | 10 | 3.05 |
| 10350062 | S0764UL653783U | ULF™ | 10 | 3.05 |

- Material: Polyethylene UHMWPE (white) with molecular density 5,600,000 g/mol
- 14-gauge stainless steel sheath
- Linear expansion coefficient: $2.2 \times 10^{-5} \text{ } ^\circ\text{F}^{-1}$ ($4 \times 10^{-5} \text{ } ^\circ\text{C}^{-1}$)
- See engineering manual for calculation of thermal expansion.

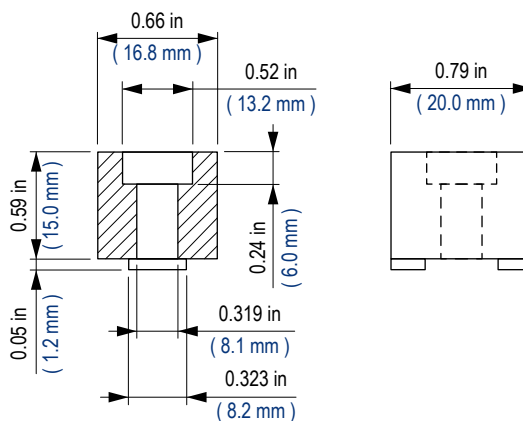
Chain Guide Profile – 367



| Part Number | Reference Description | Metal Profile Material | Plastic Profile Material | Length | |
|-------------|-----------------------|------------------------|--------------------------|--------|------|
| | | | | ft | m |
| 10375747 | 367-655712M | Austenitic SS | UHMWPE | 10 | 3.05 |
| 10350061 | – | Austenitic SS | ULF™ | 10 | 3.05 |

- Plastic Profile Material: Polyethylene UHMWPE with molecular density 5,600,00 g/mol
- Standard Packaging: the plastic and metal profiles are supplied assembled

Chain Guide Mounting Block



| Part Number | Reference Description | Bolt Size |
|-------------|-----------------------|---------------|
| 10101811 | 371-6156 | 5/16-18 or M8 |

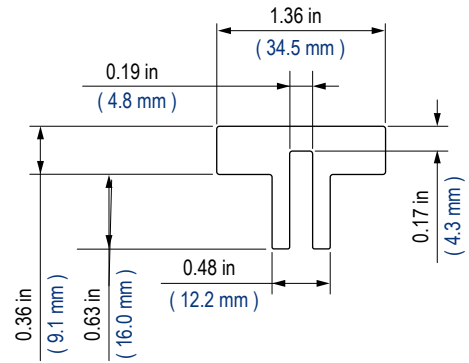
- Material: Reinforced polyamide (PA)
- Use: Easy assembly of wearstrips Part 367 on frame

Bar Caps

- These UHMWPE caps are designed to clip onto standard thickness flat bar.
- Applications include conveyor chain & belt support, product neck guides, etc.

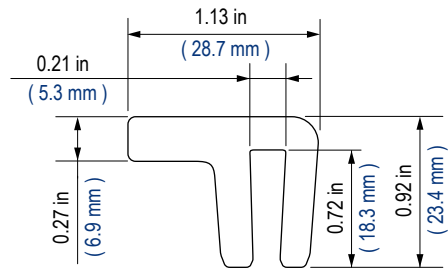
| Part Number | Reference Description | Length | |
|-------------|-----------------------|--------|------|
| | | ft | m |
| 10309060 | RX-P316TBC-20 | 20 | 6.10 |

- Material: Polyethylene UHMWPE
- Usage: Chain/belt support
- Clips onto 3/16in flat bar



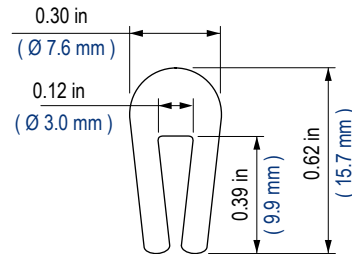
| Part Number | Reference Description | Length | |
|-------------|-----------------------|--------|------|
| | | ft | m |
| 10309127 | RX-P7GAHD-10 | 10 | 3.05 |

- Material: Polyethylene UHMWPE
- Usage: Chain/belt retention or support
- Clips onto 7 gauge steel



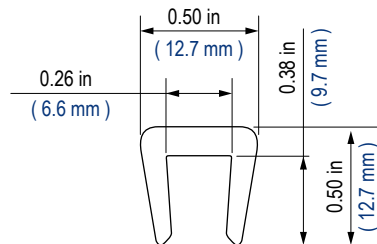
| Part Number | Reference Description | Length | |
|-------------|-----------------------|--------|-------|
| | | ft | m |
| 10324362 | RX-CSI-538-100 | 100 | 30.48 |

- Material: Polyethylene UHMWPE
- Usage: Chain/belt support or neck guide
- Clips onto 11 gauge or 12 gauge flat bar



| Part Number | Reference Description | Length | |
|-------------|-----------------------|--------|------|
| | | ft | m |
| 10309385 | RX-P14BC-20 | 20 | 6.10 |

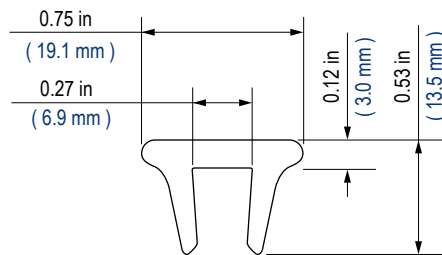
- Material: Polyethylene UHMWPE
- Usage: Chain/belt support
- Clips onto 1/4in flat bar



Bar Caps (continued)

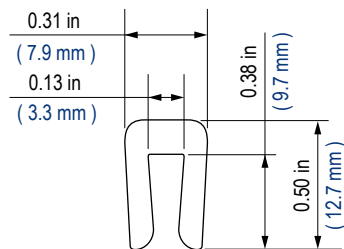
| Part Number | Reference Description | Length | |
|-------------|-----------------------|--------|------|
| | | ft | m |
| 10324414 | RX-P14TBC-20 | 20 | 6.10 |

- Material: Polyethylene UHMWPE
- Usage: Chain/belt support
- Clips onto 1/4 in flat bar



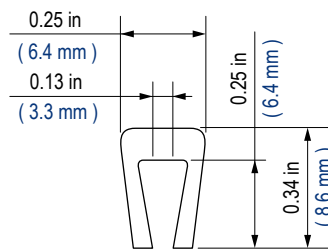
| Part Number | Reference Description | Length | |
|-------------|-----------------------|--------|------|
| | | ft | m |
| 10309373 | RX-P18BC-10 | 10 | 3.05 |

- Material: Polyethylene UHMWPE
- Usage: Chain/belt support
- Clips onto 1/8 in, 11 ga, or 12 ga flat bar



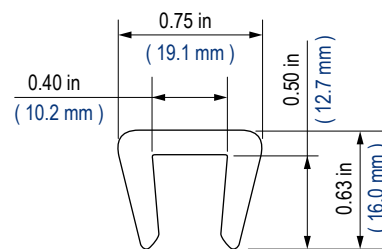
| Part Number | Reference Description | Length | |
|-------------|-----------------------|--------|-------|
| | | ft | m |
| 10324419 | RX-P204-250 | 250 | 76.20 |

- Material: Polyethylene UHMWPE
- Usage: Chain/belt support
- Clips onto 1/8 in, 11 ga, or 12 ga flat bar



| Part Number | Reference Description | Length | |
|-------------|-----------------------|--------|------|
| | | ft | m |
| 10324432 | RX-P38BC-20 | 20 | 6.10 |

- Material: Polyethylene UHMWPE
- Usage: Chain/belt support
- Clips onto 3/8 in flat bar

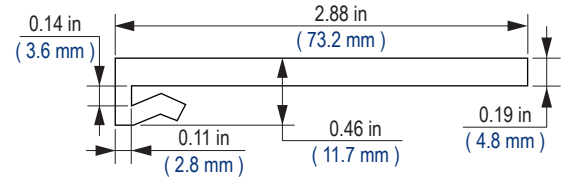


J-Leg Profiles

- These UHMWPE J-leg profiles are designed to clip onto standard 11 ga, 12 ga, or 1/8in flat bar.
- Applications include conveyor chain & belt support, product neck guides, etc.

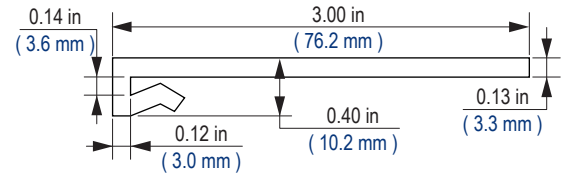
| Part Number | Reference Description | Length | |
|-------------|-----------------------|--------|------|
| | | ft | m |
| 10324406 | RX-J288-188-10 | 10 | 3.05 |

- Material: Polyethylene UHMWPE
- Usage: Chain/belt support
- Clips onto 1/8 in, 11 ga, or 12 ga flat bar



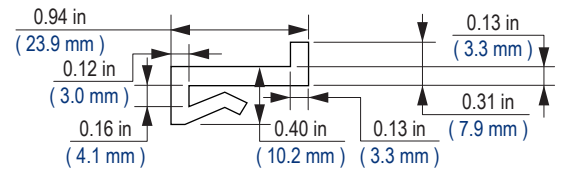
| Part Number | Reference Description | Length | |
|-------------|-----------------------|--------|------|
| | | ft | m |
| 10309351 | RX-J300-125-10 | 10 | 3.05 |

- Material: Polyethylene UHMWPE
- Usage: Chain/belt support
- Clips onto 1/8 in, 11 ga, or 12 ga flat bar



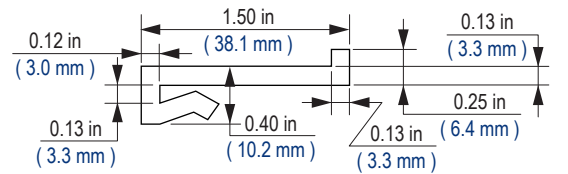
| Part Number | Reference Description | Length | |
|-------------|-----------------------|--------|------|
| | | ft | m |
| 10324409 | RX-JEL-081-125-20 | 20 | 6.10 |

- Material: Polyethylene UHMWPE
- Usage: Chain/belt support
- Clips onto 1/8 in, 11 ga, or 12 ga flat bar



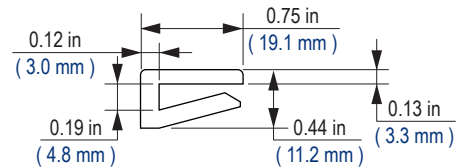
| Part Number | Reference Description | Length | |
|-------------|-----------------------|--------|------|
| | | ft | m |
| 10324411 | RX-JL-137-125-20 | 20 | 6.10 |

- Material: Polyethylene UHMWPE
- Usage: Chain/belt support
- Clips onto 1/8 in, 11 ga, or 12 ga flat bar



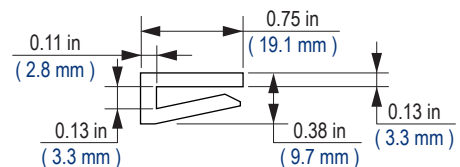
| Part Number | Reference Description | Length | |
|-------------|-----------------------|--------|------|
| | | ft | m |
| 10324412 | RX-JS3-075-125-10 | 10 | 3.05 |

- Material: Polyethylene UHMWPE
- Usage: Chain/belt support
- Clips onto 1/8 in, 11 ga, or 12 ga flat bar



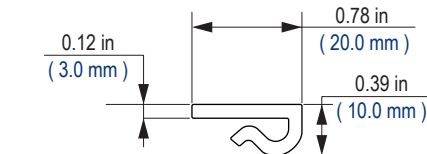
| Part Number | Reference Description | Length | |
|-------------|-----------------------|--------|------|
| | | ft | m |
| 10309235 | RX-P18CC-10 | 10 | 3.05 |

- Material: Polyethylene UHMWPE
- Usage: Chain/belt support
- Clips onto 1/8 in, 11 ga, or 12 ga flat bar



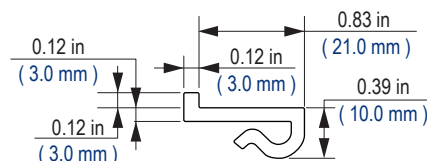
| Part Number | Reference Description | Length | |
|-------------|-----------------------|--------|------|
| | | ft | m |
| 10350046 | S0261UL655863U | 131.2 | 40.0 |

- Material: ULF™ Polyethylene UHMWPE
- Usage: Chain/belt support
- Clips onto 1/8 in, 11 ga, or 12 ga flat bar

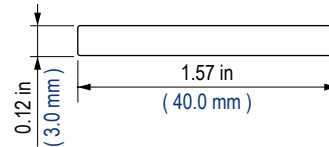


| Part Number | Reference Description | Length | |
|-------------|-----------------------|--------|------|
| | | ft | m |
| 10350068 | S0825UL654513U | 131.2 | 40.0 |

- Material: ULF™ Polyethylene UHMWPE
- Usage: Chain/belt support
- Clips onto 1/8 in, 11 ga, or 12 ga flat bar



Flat Profile



- Material: ULFTM Polyethylene UHMWPE
- Usage: Chain/belt support

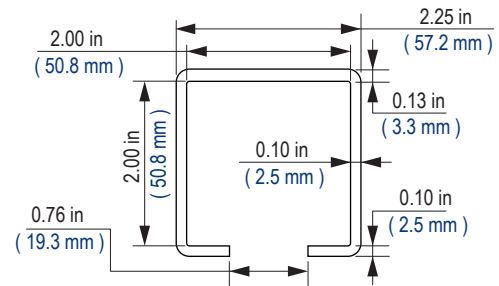
| Part Number | Reference Description | Length | |
|-------------|-----------------------|--------|----|
| | | ft | m |
| 10350013 | - | 196.8 | 60 |

Tube Covers

- These UHMWPE tube covers are designed to clip onto standard size tubes and flat bar.
- Applications include spiral conveyor vertical wearstrips, etc.

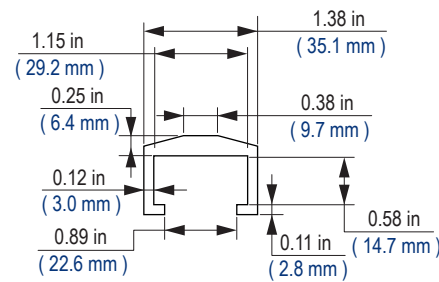
| Part Number | Reference Description | Length | |
|-------------|-----------------------|--------|------|
| | | ft | m |
| 10309125 | RX-P2X2BC-20 | 20 | 6.10 |

- Material: Polyethylene UHMWPE
- 2 in x 2 in tube cover



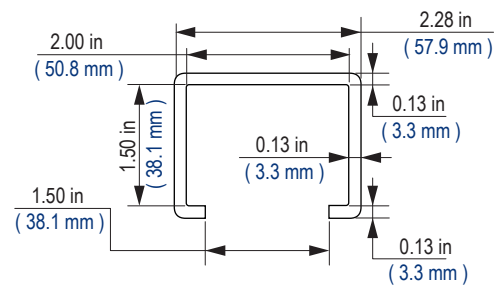
| Part Number | Reference Description | Length | |
|-------------|-----------------------|--------|------|
| | | ft | m |
| 10324435 | RX-P58115BC-10 | 10 | 3.05 |

- Material: Polyethylene UHMWPE
- 9/16 in x 1-1/8 in tube cover



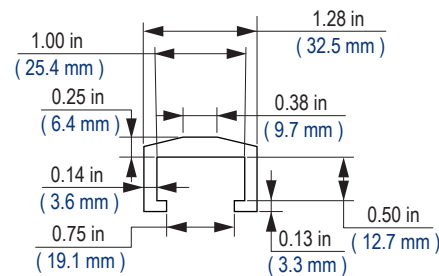
| Part Number | Reference Description | Length | |
|-------------|-----------------------|--------|------|
| | | ft | m |
| 10309034 | RX-P1520BC-20 | 20 | 6.10 |

- Material: Polyethylene UHMWPE
- 1-1/2 in x 2 in tube cover



| Part Number | Reference Description | Length | |
|-------------|-----------------------|--------|------|
| | | ft | m |
| 10324434 | RX-P5010BC-10 | 10 | 3.05 |

- Material: Polyethylene UHMWPE
- 1/2 in x 1 in bar cover

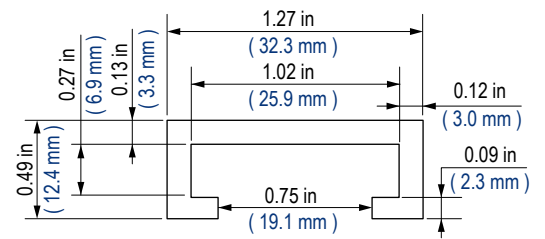


Bar Covers

– These UHMWPE tube covers are designed to clip onto standard size tubes and flat bar.

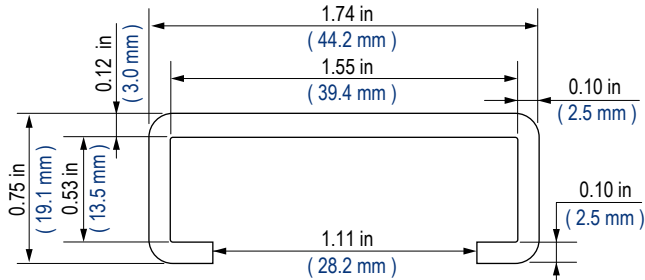
| Part Number | Reference Description | Length | |
|-------------|-----------------------|--------|------|
| | | ft | m |
| 10324426 | RX-P2510NBC-20 | 20 | 6.10 |

- Material: Polyethylene UHMWPE
- 1/4 in x 1 in bar cover



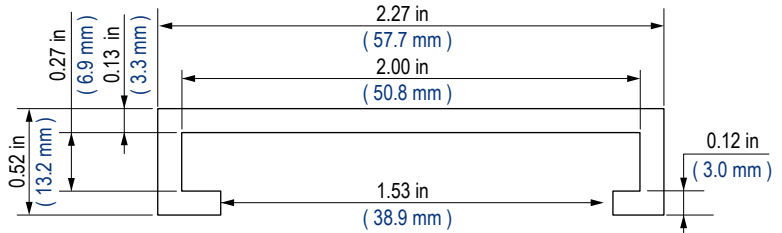
| Part Number | Reference Description | Length | |
|-------------|-----------------------|--------|------|
| | | ft | m |
| 10309332 | RX-P5015BC-20 | 20 | 6.10 |

- Material: Polyethylene UHMWPE
- 1/2 in x 1-1/2 in bar cover

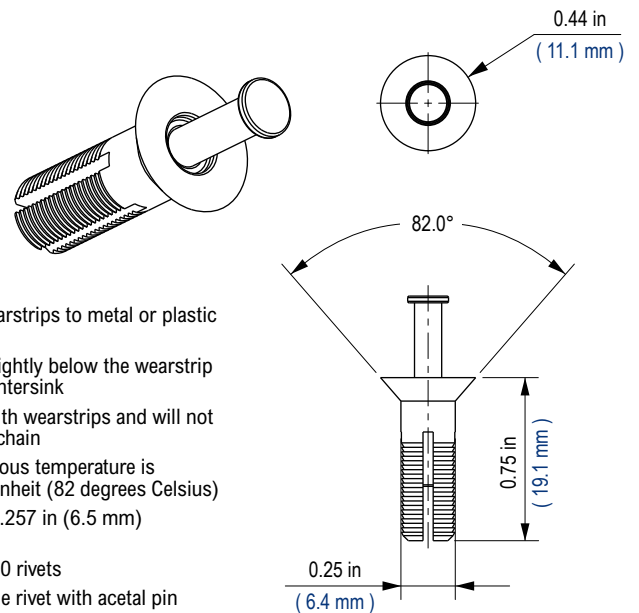


| Part Number | Reference Description | Length | |
|-------------|-----------------------|--------|------|
| | | ft | m |
| 10324430 | RX-P2520NBC-20 | 20 | 6.10 |

- Material: Polyethylene UHMWPE
- 1/4 in x 2 in bar cover



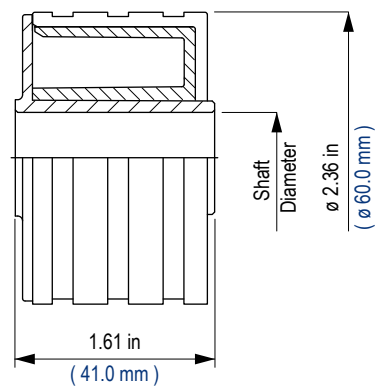
Drive Rivet



| Part Number | Reference Description |
|-------------|-----------------------|
| 10379027 | RX-750-10 |

- Used to attach wearstrips to metal or plastic conveyor frames
- Head should be slightly below the wearstrip surface using countersink
- Rivets will wear with wearstrips and will not cut into conveyor chain
- Maximum continuous temperature is 180 degrees Fahrenheit (82 degrees Celsius)
- Hole diameter is 0.257 in (6.5 mm) or F drill
- Sold in bags of 100 rivets
- Material: polyamide rivet with acetal pin

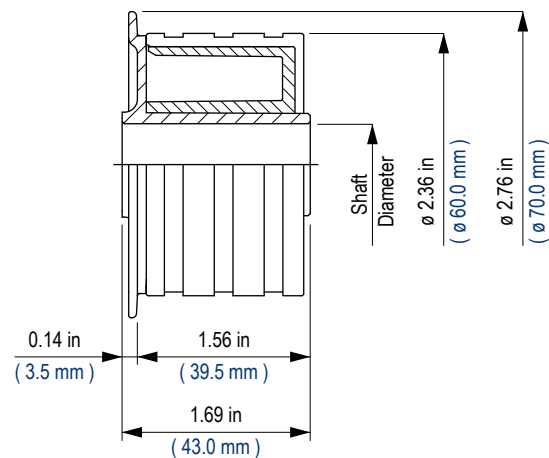
2.36in Dia Roller (With Rubber Surface)



| Part Number | Reference Description | Shaft Diameter | Bore Size | |
|-------------|-----------------------|----------------|-----------|------|
| | | in | in | mm |
| 10130473 | 613-632472 | 1/2 | 0.52 | 13.2 |
| 10130471 | 613-615352 | 5/8 | 0.65 | 16.5 |
| 10130474 | 613-635142 | 3/4 | 0.77 | 19.6 |

- Material: Roller in acetal POM, surface in thermoplastic rubber, 70 shore hardness, hub in acetal for low-friction
- Characteristics: completely closed design
- Rubber surface for less noise even in high-speed conveyors
- Patent US6550609

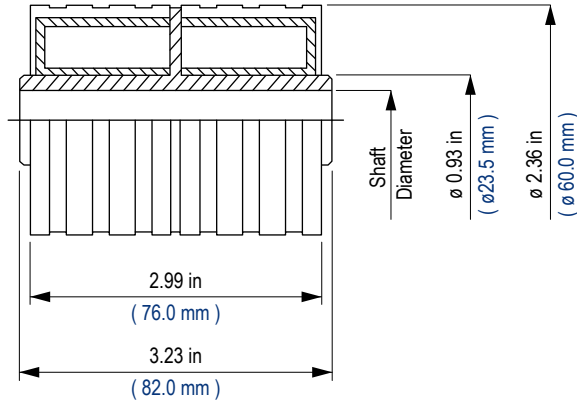
2.36in Dia Roller with Flange (With Rubber Surface)



| Part Number | Reference Description | Shaft Diameter | Bore Size | |
|-------------|-----------------------|----------------|-----------|------|
| | | in | in | mm |
| 10131734 | 614-632482 | 1/2 | 0.52 | 13.2 |
| 10131708 | 614-615392 | 5/8 | 0.65 | 16.5 |
| 10131738 | 614-635152 | 3/4 | 0.77 | 19.6 |

- Material: Roller in acetal POM, surface in thermoplastic rubber, 70 shore hardness, hub in acetal for low-friction
- Characteristics: completely closed design
- Rubber surface for less noise even in high-speed conveyors
- Patent US6550609

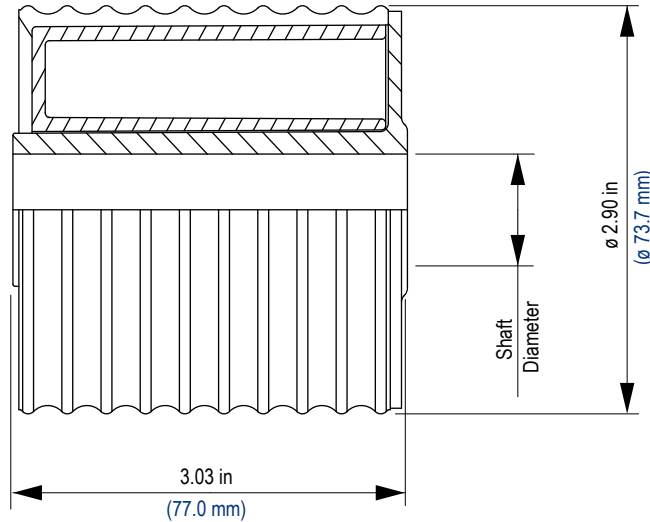
2.36in Double Roller (With Rubber Surface)



| Part Number | Reference Description | Shaft Diameter | Bore Size | |
|-------------|-----------------------|----------------|-----------|------|
| | | in | in | mm |
| 10138062 | 657-656982 | 1/2 | 0.52 | 13.2 |
| 10138064 | 657-657002 | 5/8 | 0.65 | 16.5 |
| 10138061 | 657-656692 | 3/4 | 0.77 | 19.6 |

- Material: Roller in acetal POM, surface in thermoplastic rubber, 70 shore hardness, hub in acetal for low-friction
- Characteristics: completely closed design
- Rubber surface for less noise even in high-speed conveyors
- Patent: US6550609

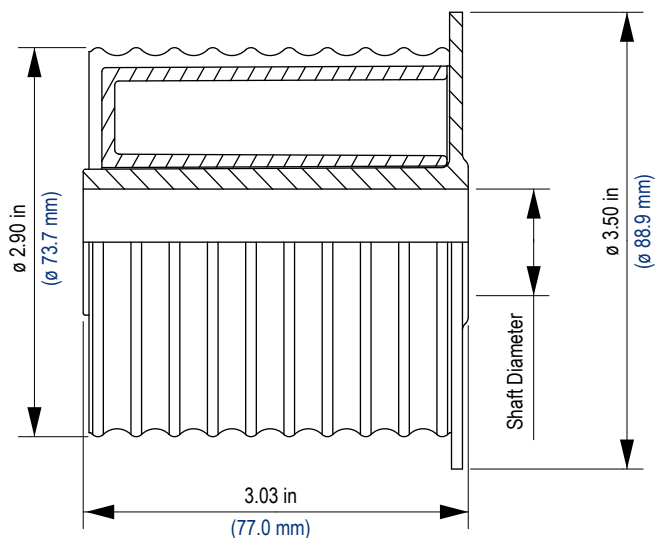
2.9in Dia Roller (With Rubber Surface)



| Part Number | Reference Description | Hub Color | Shaft Diameter | Bore Size | |
|-------------|-----------------------|-----------|----------------|-----------|------|
| | | | in | in | mm |
| 10148246 | 906-656721 | Black | 5/8 | 0.65 | 16.5 |
| 10148247 | 906-656731 | Grey | 3/4 | 0.77 | 19.6 |

- Material: Roller in acetal POM, surface in thermoplastic rubber, 60 shore hardness, hub in acetal for low-friction
- Characteristics: completely closed design
- Rubber surface for less noise even in high-speed conveyors
- Patent US6550609

2.9in Dia Roller with Flange (With Rubber Surface)



| Part Number | Reference Description | Hub Color | Shaft Diameter | | Bore Size | |
|-------------|-----------------------|-----------|----------------|------|-----------|------|
| | | | in | mm | in | mm |
| 10148248 | 906-656881 | Black | 5/8 | 16.5 | 0.65 | 16.5 |
| 10148249 | 906-656891 | Grey | 3/4 | 19.6 | 0.77 | 19.6 |

- Material: Roller in acetal POM, surface in thermoplastic rubber, 60 shore hardness, hub in acetal for low-friction
- Characteristics: completely closed design
- Rubber surface for less noise even in high-speed conveyors
- Patent US6550609

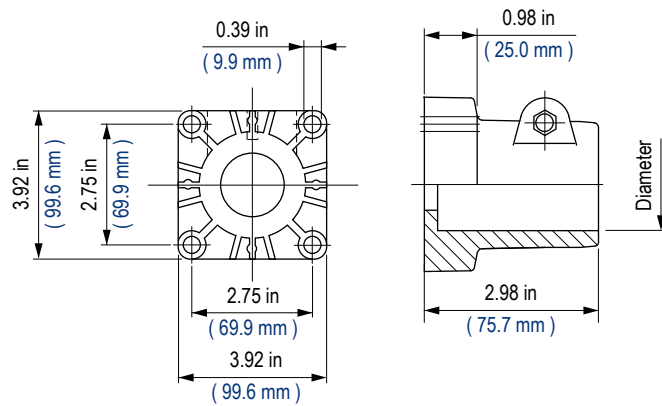
Tube Caps



| Part Number | Reference Description | Tube (Sq) x Wall |
|-------------|-----------------------|------------------------|
| | | in |
| 10309488 | RX-560-1.5-11 | 1.5in x 0.120in Square |
| 10309504 | RX-560-1.5-16 | 1.5in x 0.065in Square |
| 10309484 | RX-560-2.0-11 | 2in x 0.120in Square |

- Material: ABS plastic
- Usage: Serves as a smooth plastic cap or cover for ends of square tubing.

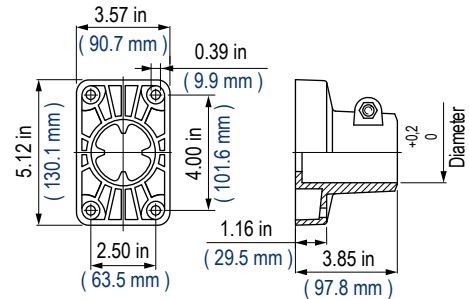
Post Cap – Square



| Part Number | Reference Description | Pipe Size | Tube Size |
|-------------|-----------------------|-----------|-----------|
| | | in | in |
| 10309447 | RX-307-1.50 | 1-1/2 | |
| 10309508 | RX-307-T2.0 | | 2 (OD) |

- Material: Reinforced polyamide (PA) with stainless steel hardware
- Maximum recommended tightening torque: 175 in-lbs (2 kg/m)

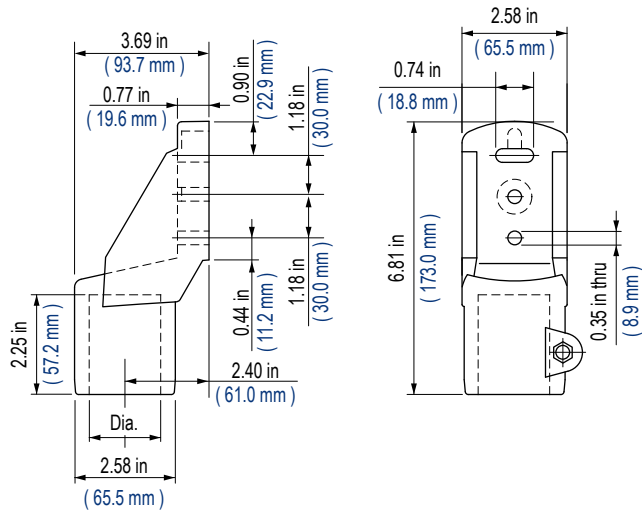
Post Cap – Rectangle



| Part Number | Reference Description | Pipe Size | Tube Size |
|-------------|-----------------------|-----------|-----------|
| | | in | in |
| 10309327 | RX-308-1.50 | 1-1/2 | |
| 10309480 | RX-308-T2.0 | | 2 (OD) |

- Material: Reinforced polyamide (PA) with stainless steel hardware
- Maximum recommended tightening torque: 175 in-lbs (2 kg/m)

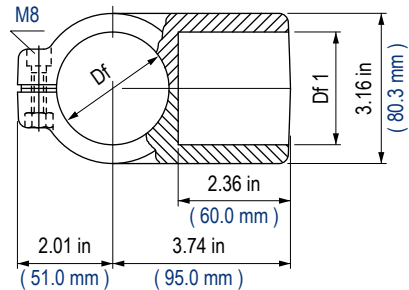
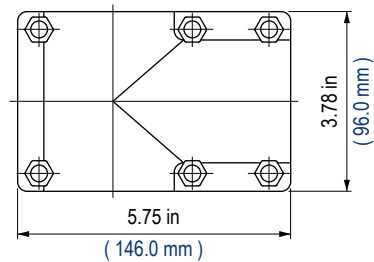
Side Mount Post Cap



| Part Number | Reference Description | Pipe Size | Tube Size |
|-------------|-----------------------|-----------|-----------|
| | | in | in |
| 10309853 | RX-305-1.50 | 1-1/2 | |
| 10309057 | RX-305-T2.0 | | 2 |

- Material: Reinforced polyamide (PA) with stainless steel hardware
- Maximum recommended tightening torque: 175 in-lbs (2 kg/m)

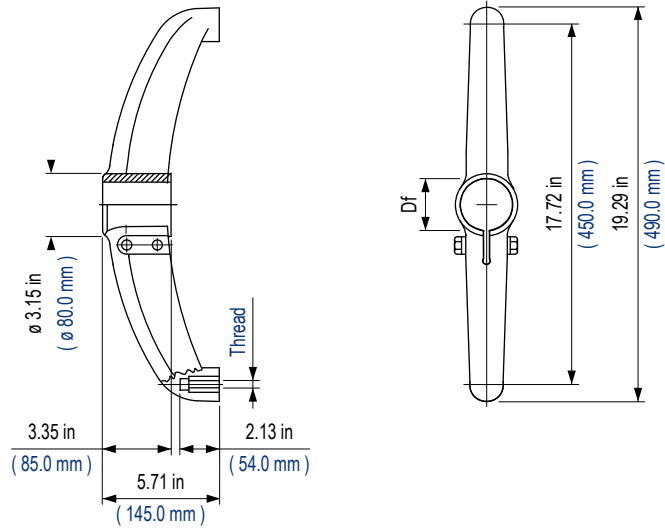
Connecting Joints



| Part Number | Reference Description | Pipe Size | Tube Size |
|-------------|-----------------------|-----------|-----------|
| | | in | in |
| 10106693 | 563-669512 | 2 | 2 |

- Material: Reinforced polyamide (PA) with stainless steel hardware
- Maximum recommended tightening torque: 130 in-lbs (1.5 kg/m)

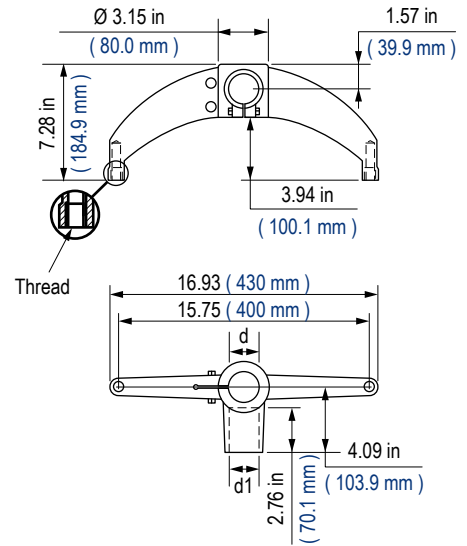
Bipod Base



| Part Number | Reference Description | Pipe Size | Tube Size | Thread | |
|-------------|-----------------------|-----------|-----------|--------|-----|
| | | in | in | in | mm |
| 10309082 | RX-402-1.5-58 | 1-1/2 | | 5/8-11 | |
| 10309062 | RX-402-T2.0-58 | | 2 | 5/8-11 | |
| 10135807 | 618-624312 | | 2 | | M16 |

- Material: Support base in reinforced polyamide (PA), brass threaded inserts, stainless steel hardware
- Maximum recommended tightening torque: 310 in-lbs (3.6 kg/m)

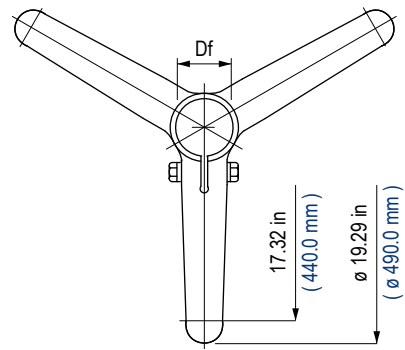
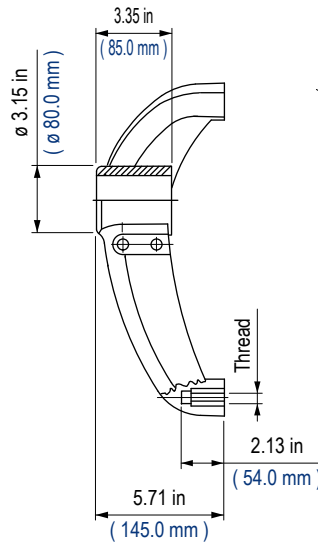
Bipod Base with Cross Tie



| Part Number | Reference Description | Pipe Size | Tube Size | Thread | |
|-------------|-----------------------|-----------|-----------|--------|----|
| | | in | in | in | mm |
| 10309350 | RX-403-1.5-58 | 1-1/2 | | 5/8-11 | |
| 10309857 | RX-403-T2.0-58 | | 2 | 5/8-11 | |

- Material: Support base in reinforced polyamide (PA), brass threaded inserts, stainless steel hardware
- Maximum recommended tightening torque: 310 in-lbs (3.6 kg/m)

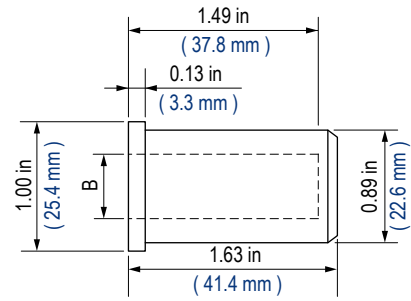
Tripod Base



| Part Number | Reference Description | Pipe Size | Tube Size | Thread | |
|-------------|-----------------------|-----------|-----------|--------|----|
| | | in | in | in | mm |
| 10309493 | RX-410-1.5-58 | 1-1/2 | - | 5/8-11 | - |

- Material: Support base in reinforced polyamide (PA), brass threaded inserts, stainless steel hardware
- Maximum recommended tightening torque: 310 in-lbs (3.6 kg/m)

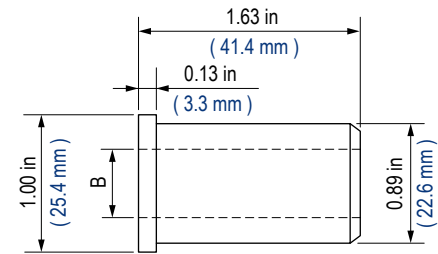
Bearing Insert – Lubricated Nylon – Blind Bore



| Part Number | Reference Description | Bore |
|-------------|-----------------------|------|
| | | in |
| 10309869 | RX-NB-4 | 1/2 |
| 10309073 | RX-NB-4.5 | 9/16 |
| 10309783 | RX-NB-5 | 5/8 |

- Material: Lubricated nylon (PA)
- Usage: Use with ABS end caps
- Blind bore

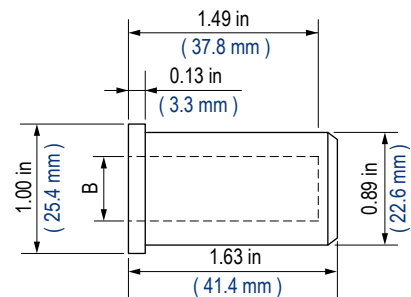
Bearing Insert – Lubricated Nylon – Through Bore



| Part Number | Reference Description | Bore |
|-------------|-----------------------|------|
| | | in |
| 10309718 | RX-NT-4 | 1/2 |
| 10309585 | RX-NT-4.5 | 9/16 |
| 10309476 | RX-NT-5 | 5/8 |

- Material: Lubricated nylon (PA)
- Usage: Use with ABS end caps
- Through bore

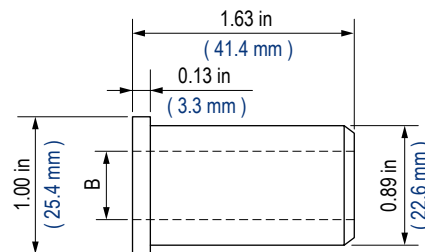
Bearing Insert – Lubricated UHMWPE – Blind Bore



| Part Number | Reference Description | Bore |
|-------------|-----------------------|------|
| | | in |
| 10309854 | RX-SB-4 | 1/2 |
| 10309568 | RX-SB-4.5 | 9/16 |
| 10309334 | RX-SB-5 | 5/8 |

- Material: Lubricated UHMWPE
- Usage: Use with ABS end caps
- Blind bore

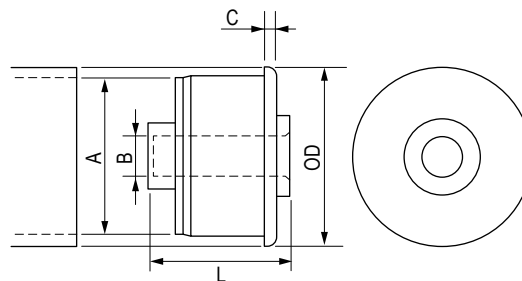
Bearing Insert – Lubricated UHMWPE – Through Bore



| Part Number | Reference Description | Bore |
|-------------|-----------------------|------|
| | | in |
| 10309212 | RX-ST-4 | 1/2 |
| 10309654 | RX-ST-4.5 | 9/16 |
| 10309149 | RX-ST-5 | 5/8 |

- Material: Lubricated UHMWPE
- Usage: Use with ABS end caps
- Through bore

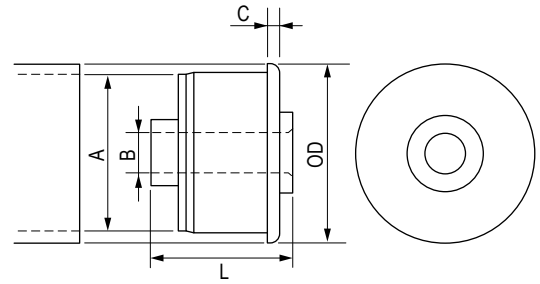
ABS End Cap with Lubricated Nylon Bearing Insert – Blind Bore



| Part Number | Reference Description | Roller OD | A-Tube ID | B-Bore Dia | C | L-Shaft Length | Tube Name |
|-------------|-----------------------|-----------|-----------|------------|------|----------------|---------------------|
| | | in | in | in | in | in | |
| 10309081 | RX-NB4-R220 | 1.9 | 1.61 | 1/2 | 0.19 | 1.75 | 1-1/2in sch 40 pipe |
| 10309874 | RX-NB4-R221 | 1.9 | 1.5 | 1/2 | 0.16 | 1.75 | 1-1/2in sch 80 pipe |
| 10309147 | RX-NB4-R270 | 2-3/8 | 2.07 | 1/2 | 0.19 | 1.75 | 2in sch 40 pipe |
| 10309001 | RX-NB4-R271 | 2-3/8 | 1.94 | 1/2 | 0.16 | 1.75 | 2in sch 80 pipe |
| 10309586 | RX-NB4-R320 | 2-7/8 | 2.47 | 1/2 | 0.19 | 1.75 | 2-1/2in sch 40 pipe |
| 10309790 | RX-NB4.5-R220 | 1.9 | 1.61 | 9/16 | 0.19 | 1.75 | 1-1/2in sch 40 pipe |
| 10309777 | RX-NB4.5-R221 | 1.9 | 1.5 | 9/16 | 0.16 | 1.75 | 1-1/2in sch 80 pipe |
| 10309607 | RX-NB4.5-R270 | 2-3/8 | 2.07 | 9/16 | 0.19 | 1.75 | 2in sch 40 pipe |
| 10309806 | RX-NB4.5-R271 | 2-3/8 | 1.94 | 9/16 | 0.16 | 1.75 | 2in sch 80 pipe |
| 10309872 | RX-NB4.5-R320 | 2-7/8 | 2.47 | 9/16 | 0.19 | 1.75 | 2-1/2in sch 40 pipe |
| 10309793 | RX-NB5-R220 | 1.9 | 1.61 | 5/8 | 0.19 | 1.75 | 1-1/2in sch 40 pipe |
| 10309056 | RX-NB5-R221 | 1.9 | 1.5 | 5/8 | 0.16 | 1.75 | 1-1/2in sch 80 pipe |
| 10309770 | RX-NB5-R270 | 2-3/8 | 2.07 | 5/8 | 0.19 | 1.75 | 2in sch 40 pipe |
| 10309516 | RX-NB5-R271 | 2-3/8 | 1.94 | 5/8 | 0.16 | 1.75 | 2in sch 80 pipe |
| 10309531 | RX-NB5-R320 | 2-7/8 | 2.47 | 5/8 | 0.19 | 1.75 | 2-1/2in sch 40 pipe |

- Material: End cap in ABS, insert in lubricated nylon alloy (PA)
- Nylon alloy insert minimizes swelling of the insert up to 0.0015in (approximately)
- Blind bore

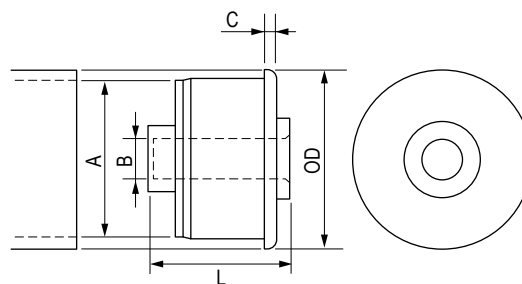
ABS End Cap with Lubricated Nylon Bearing Insert – Through Bore



| Part Number | Reference Description | Roller OD | A-Tube ID | B-Bore Dia | C | L-Shaft Length | Tube Name |
|-------------|-----------------------|-----------|-----------|------------|------|----------------|---------------------|
| | | in | in | in | in | in | |
| 10309500 | RX-NT4-R220 | 1.9 | 1.61 | 1/2 | 0.19 | 1.75 | 1-1/2in sch 40 pipe |
| 10309055 | RX-NT4-R221 | 1.9 | 1.5 | 1/2 | 0.16 | 1.75 | 1-1/2in sch 80 pipe |
| 10309539 | RX-NT4-R270 | 2-3/8 | 2.07 | 1/2 | 0.19 | 1.75 | 2in sch 40 pipe |
| 10309678 | RX-NT4-R271 | 2-3/8 | 1.94 | 1/2 | 0.16 | 1.75 | 2in sch 80 pipe |
| 10309682 | RX-NT4-R320 | 2-7/8 | 2.47 | 1/2 | 0.19 | 1.75 | 2-1/2in sch 40 pipe |
| 10309730 | RX-NT4.5-R220 | 1.9 | 1.61 | 9/16 | 0.19 | 1.75 | 1-1/2in sch 40 pipe |
| 10309256 | RX-NT4.5-R221 | 1.9 | 1.5 | 9/16 | 0.16 | 1.75 | 1-1/2in sch 80 pipe |
| 10309881 | RX-NT4.5-R270 | 2-3/8 | 2.07 | 9/16 | 0.19 | 1.75 | 2in sch 40 pipe |
| 10309330 | RX-NT4.5-R271 | 2-3/8 | 1.94 | 9/16 | 0.16 | 1.75 | 2in sch 80 pipe |
| 10309286 | RX-NT4.5-R320 | 2-7/8 | 2.47 | 9/16 | 0.19 | 1.75 | 2-1/2in sch 40 pipe |
| 10308989 | RX-NT5-R220 | 1.9 | 1.61 | 5/8 | 0.19 | 1.75 | 1-1/2in sch 40 pipe |
| 10309651 | RX-NT5-R221 | 1.9 | 1.5 | 5/8 | 0.16 | 1.75 | 1-1/2in sch 80 pipe |
| 10309705 | RX-NT5-R270 | 2-3/8 | 2.07 | 5/8 | 0.19 | 1.75 | 2in sch 40 pipe |
| 10309070 | RX-NT5-R271 | 2-3/8 | 1.94 | 5/8 | 0.16 | 1.75 | 2in sch 80 pipe |
| 10309398 | RX-NT5-R320 | 2-7/8 | 2.47 | 5/8 | 0.19 | 1.75 | 2-1/2in sch 40 pipe |

- Material: End cap in ABS, insert in lubricated nylon alloy (PA)
- Nylon alloy insert minimizes swelling of the insert up to 0.0015in (approximately)
- Through bore

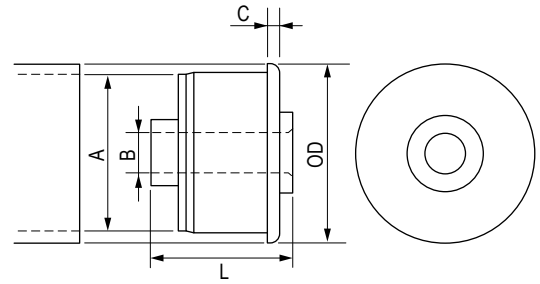
ABS End Cap with Lubricated UHMWPE Bearing Insert – Blind Bore



| Part Number | Reference Description | Roller OD | A-Tube ID | B-Bore Dia | C | L-Shaft Length | Tube Name |
|-------------|-----------------------|-----------|-----------|------------|------|----------------|---------------------|
| | | in | in | in | in | in | |
| 10309091 | RX-SB4-R220 | 1.9 | 1.61 | 1/2 | 0.19 | 1.75 | 1-1/2in sch 40 pipe |
| 10309811 | RX-SB4-R221 | 1.9 | 1.5 | 1/2 | 0.16 | 1.75 | 1-1/2in sch 80 pipe |
| 10309673 | RX-SB4-R270 | 2-3/8 | 2.07 | 1/2 | 0.19 | 1.75 | 2in sch 40 pipe |
| 10309188 | RX-SB4-R271 | 2-3/8 | 1.94 | 1/2 | 0.16 | 1.75 | 2in sch 80 pipe |
| 10309113 | RX-SB4-R320 | 2-7/8 | 2.47 | 1/2 | 0.19 | 1.75 | 2-1/2in sch 40 pipe |
| 10309432 | RX-SB4.5-R220 | 1.9 | 1.61 | 9/16 | 0.19 | 1.75 | 1-1/2in sch 40 pipe |
| 10309271 | RX-SB4.5-R221 | 1.9 | 1.5 | 9/16 | 0.16 | 1.75 | 1-1/2in sch 80 pipe |
| 10309243 | RX-SB4.5-R270 | 2-3/8 | 2.07 | 9/16 | 0.19 | 1.75 | 2in sch 40 pipe |
| 10309030 | RX-SB4.5-R271 | 2-3/8 | 1.94 | 9/16 | 0.16 | 1.75 | 2in sch 80 pipe |
| 10309191 | RX-SB4.5-R3202 | 2-7/8 | 2.47 | 9/16 | 0.19 | 1.75 | 2-1/2in sch 40 pipe |
| 10309620 | RX-SB5-R220 | 1.9 | 1.61 | 5/8 | 0.19 | 1.75 | 1-1/2in sch 40 pipe |
| 10309524 | RX-SB5-R221 | 1.9 | 1.5 | 5/8 | 0.16 | 1.75 | 1-1/2in sch 80 pipe |
| 10309157 | RX-SB5-R270 | 2-3/8 | 2.07 | 5/8 | 0.19 | 1.75 | 2in sch 40 pipe |
| 10309665 | RX-SB5-R271 | 2-3/8 | 1.94 | 5/8 | 0.16 | 1.75 | 2in sch 80 pipe |
| 10309581 | RX-SB5-R320 | 2-7/8 | 2.47 | 5/8 | 0.19 | 1.75 | 2-1/2in sch 40 pipe |

– Material: End cap in ABS, insert in lubricated UHMWPE

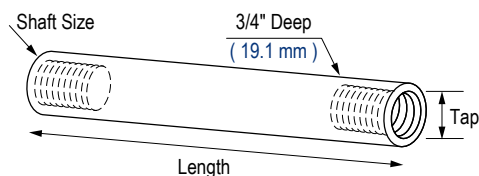
– Blind bore

ABS End Cap with Lubricated UHMWPE Bearing Insert – Through Bore


| Part Number | Reference Description | Roller OD | A-Tube ID | B-Bore Dia | C | L-Shaft Length | Tube Name |
|-------------|-----------------------|-----------|-----------|------------|------|----------------|---------------------|
| | | in | in | in | in | in | |
| 10309699 | RX-ST4-R220 | 1.9 | 1.61 | 1/2 | 0.19 | 1.75 | 1-1/2in sch 40 pipe |
| 10309695 | RX-ST4-R221 | 1.9 | 1.5 | 1/2 | 0.16 | 1.75 | 1-1/2in sch 80 pipe |
| 10309310 | RX-ST4-R270 | 2-3/8 | 2.07 | 1/2 | 0.19 | 1.75 | 2in sch 40 pipe |
| 10309810 | RX-ST4-R271 | 2-3/8 | 1.94 | 1/2 | 0.16 | 1.75 | 2in sch 80 pipe |
| 10309354 | RX-ST4-R320 | 2-7/8 | 2.47 | 1/2 | 0.19 | 1.75 | 2-1/2in sch 40 pipe |
| 10309270 | RX-ST4.5-R220 | 1.9 | 1.61 | 9/16 | 0.19 | 1.75 | 1-1/2in sch 40 pipe |
| 10309098 | RX-ST4.5-R221 | 1.9 | 1.5 | 9/16 | 0.16 | 1.75 | 1-1/2in sch 80 pipe |
| 10309433 | RX-ST4.5-R270 | 2-3/8 | 2.07 | 9/16 | 0.19 | 1.75 | 2in sch 40 pipe |
| 10309250 | RX-ST4.5-R271 | 2-3/8 | 1.94 | 9/16 | 0.16 | 1.75 | 2in sch 80 pipe |
| 10309668 | RX-ST4.5-R320 | 2-7/8 | 2.47 | 9/16 | 0.19 | 1.75 | 2-1/2in sch 40 pipe |
| 10309292 | RX-ST5-R220 | 1.9 | 1.61 | 5/8 | 0.19 | 1.75 | 1-1/2in sch 40 pipe |
| 10309059 | RX-ST5-R221 | 1.9 | 1.5 | 5/8 | 0.16 | 1.75 | 1-1/2in sch 80 pipe |
| 10309106 | RX-ST5-R270 | 2-3/8 | 2.07 | 5/8 | 0.19 | 1.75 | 2in sch 40 pipe |
| 10309528 | RX-ST5-R271 | 2-3/8 | 1.94 | 5/8 | 0.16 | 1.75 | 2in sch 80 pipe |
| 10309166 | RX-ST5-R320 | 2-7/8 | 2.47 | 5/8 | 0.19 | 1.75 | 2-1/2in sch 40 pipe |

- Material: End cap in ABS, insert in lubricated UHMWPE
- Through bore

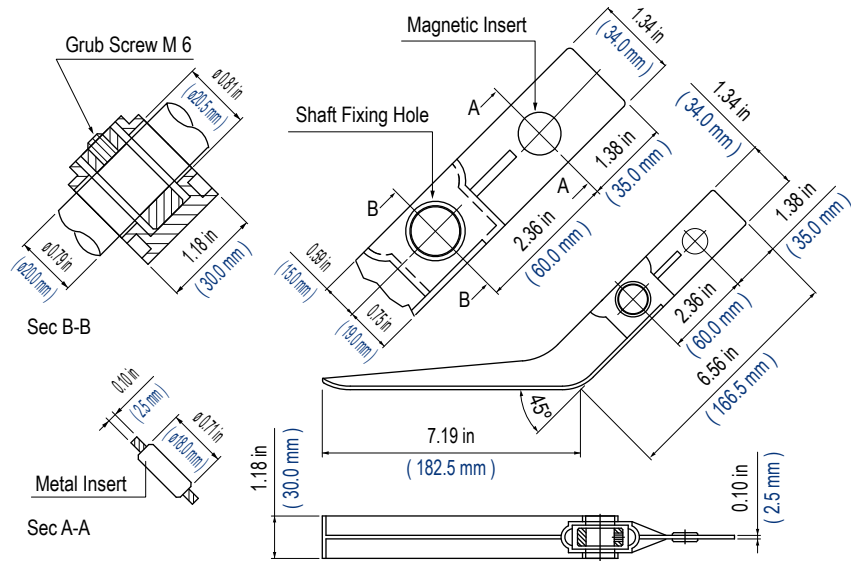
Round Roller Shafts



| Part Number | Reference Description | Shaft Size | Length | | Tap |
|-------------|------------------------|------------|--------|-------|---------|
| | | in | in | mm | in |
| 10309413 | RX-VF-CR4.5-SS-0325-38 | 9/16 | 3.5 | 88.9 | 3/8-16 |
| 10309318 | RX-VF-CR4.5-SS-0400-38 | 9/16 | 4.25 | 108.0 | 3/8-16 |
| 10309376 | RX-VF-CR4.5-SS-0450-38 | 9/16 | 4.75 | 120.7 | 3/8-16 |
| 10309855 | RX-VF-CR4.5-SS-0600-38 | 9/16 | 6.25 | 158.8 | 3/8-16 |
| 10309564 | RX-VF-CR4.5-SS-0750-38 | 9/16 | 7.75 | 196.9 | 3/8-16 |
| 10308991 | RX-VF-CR4-SS-0325-38 | 1/2 | 3.5 | 88.9 | 3/8-16 |
| 10309769 | RX-VF-CR4-SS-0400-38 | 1/2 | 4.25 | 108.0 | 3/8-16 |
| 10309596 | RX-VF-CR4-SS-0450-38 | 1/2 | 4.75 | 120.7 | 3/8-16 |
| 10309798 | RX-VF-CR4-SS-0600-38 | 1/2 | 6.25 | 158.8 | 3/8-16 |
| 10309748 | RX-VF-CR4-SS-0750-38 | 1/2 | 7.75 | 196.9 | 3/8-16 |
| 10309265 | RX-VF-CR4-SS-0325-516 | 1/2 | 3.5 | 88.9 | 5/16-18 |
| 10309862 | RX-VF-CR4-SS-0400-516 | 1/2 | 4.25 | 108.0 | 5/16-18 |
| 10309756 | RX-VF-CR4-SS-0450-516 | 1/2 | 4.75 | 120.7 | 5/16-18 |
| 10309601 | RX-VF-CR4-SS-0600-516 | 1/2 | 6.25 | 158.8 | 5/16-18 |
| 10309680 | RX-VF-CR4-SS-0750-516 | 1/2 | 7.75 | 196.9 | 5/16-18 |
| 10309729 | RX-VF-CR5-SS-0325-38 | 5/8 | 3.5 | 88.9 | 3/8-16 |
| 10309178 | RX-VF-CR5-SS-0400-38 | 5/8 | 4.25 | 108.0 | 3/8-16 |
| 10309092 | RX-VF-CR5-SS-0450-38 | 5/8 | 4.75 | 120.7 | 3/8-16 |
| 10309005 | RX-VF-CR5-SS-0600-38 | 5/8 | 6.25 | 158.8 | 3/8-16 |
| 10309377 | RX-VF-CR5-SS-0750-38 | 5/8 | 7.75 | 196.9 | 3/8-16 |
| 10309485 | RX-VF-CR5-SS-0325-516 | 5/8 | 3.5 | 88.9 | 5/16-18 |
| 10309455 | RX-VF-CR5-SS-0400-516 | 5/8 | 4.25 | 108.0 | 5/16-18 |
| 10309851 | RX-VF-CR5-SS-0450-516 | 5/8 | 4.75 | 120.7 | 5/16-18 |
| 10309483 | RX-VF-CR5-SS-0600-516 | 5/8 | 6.25 | 158.8 | 5/16-18 |
| 10309780 | RX-VF-CR5-SS-0750-516 | 5/8 | 7.75 | 196.9 | 5/16-18 |

- Material: 303 stainless steel
- Usage: Designed for quick assembly of rollers and frame
- Female threads on both ends of shaft

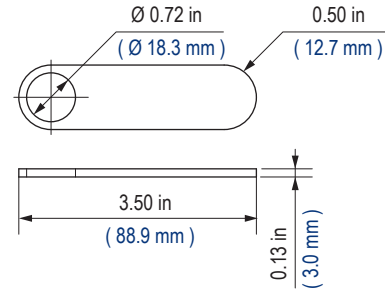
Contact Lever



| Part Number | Reference Description |
|-------------|-----------------------|
| 10106419 | 518-642951N |

– Material: lever in polypropylene (PP), insert (for magnetic sensor) in ferritic stainless steel, locking spacer (for shaft fixing) in zinc plated steel

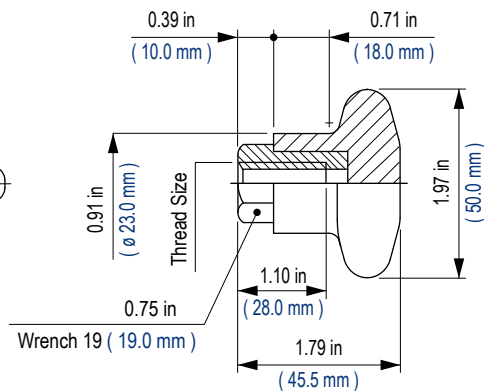
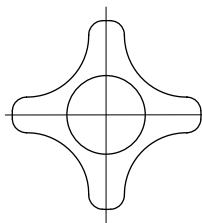
Sensor Mount



| Part Number | Reference Description | Length | | Sensor | |
|-------------|-----------------------|--------|-------|--------|------|
| | | in | mm | in | mm |
| 10309444 | RX-612-35-12 | 3.50 | 88.9 | 0.47 | 12.0 |
| 10308995 | RX-612-35-18 | 3.50 | 88.9 | 0.71 | 18.0 |
| 10309759 | RX-612-50-12 | 5.00 | 127.0 | 0.47 | 12.0 |
| 10309866 | RX-612-50-18 | 5.00 | 127.0 | 0.71 | 18.0 |

– Material: Stainless steel
 – Usage: Positioning of sensors and reflectors

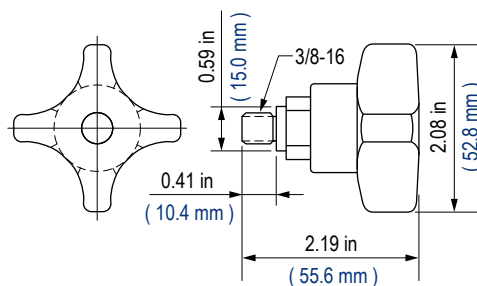
Knob – Female – 182



– Material: Knob in reinforced polyamide (PA), threaded insert in nickel plated brass

| Part Number | Reference Description | Material | Thread |
|-------------|-----------------------|----------|--------|
| | | | mm |
| 10084557 | 182-54911 | PA | M10 |

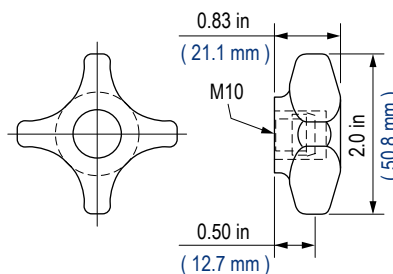
Knob – Male – 280



– Material: Knob in reinforced polyamide (PA), threaded insert in nickel plated brass

| Part Number | Reference Description | Material | Thread |
|-------------|-----------------------|----------|--------|
| | | | in |
| 10309227 | RX-280-38M | PA | 3/8-16 |

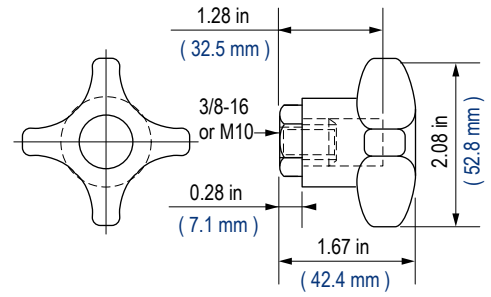
Knob – Female – 281



– Material: Knob in reinforced polyamide (PA), threaded insert in nickel plated brass

| Part Number | Reference Description | Material | Thread |
|-------------|-----------------------|----------|--------|
| | | | mm |
| 10309584 | RX-281-M10F | PA | M10 |

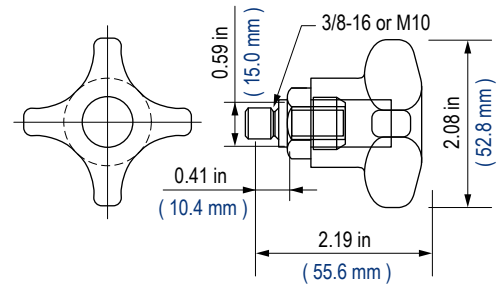
Knob – Female – 282



| Part Number | Reference Description | Material | Thread |
|-------------|-----------------------|----------|--------|
| | | | mm |
| 10309653 | RX-282-M10F | PA | M10 |
| 10309120 | RX-280PP-M10F | PP | M10 |

– Material: Knob in reinforced polyamide (PA), threaded insert in nickel plated brass

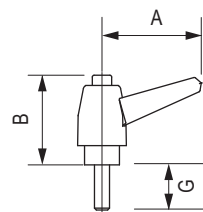
Knob – Male – 282



| Part Number | Reference Description | Material | Thread |
|-------------|-----------------------|----------|--------|
| | | | in |
| 10309148 | RX-282-38M | PA | 3/8-16 |

– Material: Knob in reinforced polyamide (PA), threaded insert in nickel plated brass

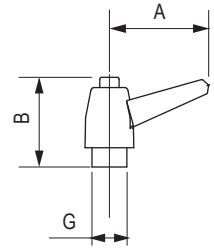
Ratchet Handles – Male – Imperial



| | Part Number | | Reference Description | | Thread | | A | | B | | G | |
|----------|-------------|----------|------------------------|------------------------|-----------------------|---------|--------|-------|------|------|------|------|
| | Black | Orange | Black | Orange | Material | Size | in | mm | in | mm | in | mm |
| RH-10 | 10309343 | | RX-RH-10-BK-MP1024-20 | | ZN | 10-24 | 1.63 | 41.4 | 1.21 | 30.7 | 0.79 | 20.1 |
| | 10308973 | | RX-RH-10-BK-MP1032-15 | | ZN | 10-32 | 1.63 | 41.4 | 1.21 | 30.7 | 0.59 | 15.0 |
| | 10309567 | | RX-RH-10-BK-MP1032-20 | | ZN | 10-32 | 1.63 | 41.4 | 1.21 | 30.7 | 0.79 | 20.1 |
| | 10309329 | 10309559 | RX-RH-10-BK-MP1420-20 | RX-RH-10-OR-MP1420-20 | ZN | 1/4-20 | 1.63 | 41.4 | 1.21 | 30.7 | 0.79 | 20.1 |
| | 10309845 | | RX-RH-10-BK-MP1420-25 | | ZN | 1/4-20 | 1.63 | 41.4 | 1.21 | 30.7 | 0.98 | 24.9 |
| | 10309396 | | RX-RH-10-BK-MS1420-20 | | SS | 1/4-20 | 1.63 | 41.4 | 1.21 | 30.7 | 0.79 | 20.1 |
| RH-20 | 10308975 | 10309720 | RX-RH-10-BK-MS1420-25 | RX-RH-10-OR-MS1420-25 | SS | 1/4-20 | 1.63 | 41.4 | 1.21 | 30.7 | 0.98 | 24.9 |
| | 10309477 | | RX-RH-20-BK-MP51618-15 | | ZN | 5/16-18 | 2.16 | 54.9 | 1.39 | 35.3 | 0.59 | 15.0 |
| | 10309738 | 10308970 | RX-RH-20-BK-MP51618-20 | RX-RH-20-OR-MP51618-20 | ZN | 5/16-18 | 2.16 | 54.9 | 1.39 | 35.3 | 0.79 | 20.1 |
| | 10309311 | 10309360 | RX-RH-20-BK-MP51618-30 | RX-RH-20-OR-MP51618-30 | ZN | 5/16-18 | 2.16 | 54.9 | 1.39 | 35.3 | 1.18 | 30.0 |
| | 10309338 | 10309364 | RX-RH-20-BK-MP51618-40 | RX-RH-20-OR-MP51618-40 | ZN | 5/16-18 | 2.16 | 54.9 | 1.39 | 35.3 | 1.57 | 39.9 |
| | 10309087 | 10309541 | RX-RH-20-BK-MP51618-50 | RX-RH-20-OR-MP51618-50 | ZN | 5/16-18 | 2.16 | 54.9 | 1.39 | 35.3 | 1.97 | 50.0 |
| | 10309763 | 10308977 | RX-RH-20-BK-MS51618-15 | RX-RH-20-OR-MS51618-15 | SS | 5/16-18 | 2.16 | 54.9 | 1.39 | 35.3 | 0.59 | 15.0 |
| | 10309688 | 10309051 | RX-RH-20-BK-MS51618-20 | RX-RH-20-OR-MS51618-20 | SS | 5/16-18 | 2.16 | 54.9 | 1.39 | 35.3 | 0.79 | 20.1 |
| | 10309209 | 10309245 | RX-RH-20-BK-MS51618-30 | RX-RH-20-OR-MS51618-30 | SS | 5/16-18 | 2.16 | 54.9 | 1.39 | 35.3 | 1.18 | 30.0 |
| | 10309249 | 10309289 | RX-RH-20-BK-MS51618-40 | RX-RH-20-OR-MS51618-40 | SS | 5/16-18 | 2.16 | 54.9 | 1.39 | 35.3 | 1.57 | 39.9 |
| | 10309093 | | RX-RH-20-BK-MS51618-50 | | SS | 5/16-18 | 2.16 | 54.9 | 1.39 | 35.3 | 1.97 | 50.0 |
| | RH-30 | 10309461 | 10309190 | RX-RH-30-BK-MP3816-20 | RX-RH-30-OR-MS3816-20 | ZN | 3/8-16 | 3.13 | 79.5 | 1.82 | 46.2 | 0.79 |
| 10309038 | | 10309622 | RX-RH-30-BK-MP3816-30 | RX-RH-30-OR-MP3816-30 | ZN | 3/8-16 | 3.13 | 79.5 | 1.82 | 46.2 | 1.18 | 30.0 |
| 10309041 | | 10309646 | RX-RH-30-BK-MP3816-40 | RX-RH-30-OR-MP3816-40 | ZN | 3/8-16 | 3.13 | 79.5 | 1.82 | 46.2 | 1.57 | 39.9 |
| 10309734 | | 10309779 | RX-RH-30-BK-MP3816-50 | RX-RH-30-OR-MP3816-50 | ZN | 3/8-16 | 3.13 | 79.5 | 1.82 | 46.2 | 1.97 | 50.0 |
| 10308988 | | 10309238 | RX-RH-30-BK-MS3816-30 | RX-RH-30-OR-MS3816-30 | SS | 3/8-16 | 3.13 | 79.5 | 1.82 | 46.2 | 1.18 | 30.0 |
| 10309248 | | 10309295 | RX-RH-30-BK-MS3816-40 | RX-RH-30-OR-MS3816-40 | SS | 3/8-16 | 3.13 | 79.5 | 1.82 | 46.2 | 1.57 | 39.9 |
| 10309464 | | 10309418 | RX-RH-30-BK-MS3816-50 | RX-RH-30-OR-MS3816-50 | SS | 3/8-16 | 3.13 | 79.5 | 1.82 | 46.2 | 1.97 | 50.0 |
| 10309241 | | 10309498 | RX-RH-30-BK-MP1213-30 | RX-RH-30-OR-MP1213-30 | ZN | 1/2-13 | 3.13 | 79.5 | 1.82 | 46.2 | 1.18 | 30.0 |
| 10309840 | | | RX-RH-30-BK-MP1213-40 | | ZN | 1/2-13 | 3.13 | 79.5 | 1.82 | 46.2 | 1.57 | 39.9 |
| 10309604 | | | RX-RH-30-BK-MP1213-50 | | ZN | 1/2-13 | 3.13 | 79.5 | 1.82 | 46.2 | 1.97 | 50.0 |
| RH-40 | 10309414 | | RX-RH-40-BK-MP1213-30 | | ZN | 1/2-13 | 3.94 | 100.1 | 2.33 | 59.2 | 1.18 | 30.0 |
| | 10309322 | | RX-RH-40-BK-MP1213-40 | | ZN | 1/2-13 | 3.94 | 100.1 | 2.33 | 59.2 | 1.57 | 39.9 |
| | 10309027 | | RX-RH-40-BK-MP1213-50 | | ZN | 1/2-13 | 3.94 | 100.1 | 2.33 | 59.2 | 1.97 | 50.0 |
| 303 | 10098151 | | 303-60932 | SS | 3/8-16 | 3.13 | 79.5 | 1.89 | 48.0 | 0.79 | 20.1 | |

- Material: Reinforced polyamide (PA)
- Usage: Use where frequent adjustments are required
- Can still be tightened when handle movement is restricted
- Available in black and orange
- No tools required.

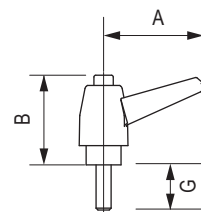
Ratchet Handles – Female – Imperial



| | Part Number | | Reference Description | | Thread | | A | | B | | G | |
|-------|-------------|----------|-----------------------|---------------------|----------|---------|------|-------|------|------|------|------|
| | Black | Orange | Black | Orange | Material | Size | in | mm | in | mm | in | mm |
| RH-10 | 10309611 | | RX-RH-10-BK-FP1032 | | ZN | 10-32 | 1.63 | 41.4 | 1.21 | 30.7 | 0.42 | 10.7 |
| | 10309009 | | RX-RH-10-BK-FP1420 | | ZN | 1/4-20 | 1.63 | 41.4 | 1.21 | 30.7 | 0.42 | 10.7 |
| | 10309820 | 10309391 | RX-RH-10-BK-FS1420 | RX-RH-10-OR-FS1420 | SS | 1/4-20 | 1.63 | 41.4 | 1.21 | 30.7 | 0.42 | 10.7 |
| RH-20 | 10309022 | | RX-RH-20-BK-FP1420 | | ZN | 1/4-20 | 2.16 | 54.9 | 1.39 | 35.3 | 0.53 | 13.5 |
| | 10309634 | 10309837 | RX-RH-20-BK-FP51618 | RX-RH-20-OR-FP51618 | ZN | 5/16-18 | 2.16 | 54.9 | 1.39 | 35.3 | 0.53 | 13.5 |
| | 10309549 | | RX-RH-20-BK-FS51618 | | SS | 5/16-18 | 2.16 | 54.9 | 1.39 | 35.3 | 0.53 | 13.5 |
| RH-30 | 10309374 | 10308981 | RX-RH-30-BK-FP1213 | RX-RH-30-OR-FP1213 | ZN | 1/2-13 | 3.13 | 79.5 | 1.82 | 46.2 | 0.72 | 18.3 |
| | 10309544 | 10309115 | RX-RH-30-BK-FP3816 | RX-RH-30-OR-FP3816 | ZN | 3/8-16 | 3.13 | 79.5 | 1.82 | 46.2 | 0.72 | 18.3 |
| | 10309515 | 10309473 | RX-RH-30-BK-FP51618 | RX-RH-30-OR-FP51618 | ZN | 5/16-18 | 3.13 | 79.5 | 1.82 | 46.2 | 0.72 | 18.3 |
| | 10309140 | 10309645 | RX-RH-30-BK-FS1213 | RX-RH-30-OR-FS1213 | SS | 1/2-13 | 3.13 | 79.5 | 1.82 | 46.2 | 0.72 | 18.3 |
| | 10309536 | 10309462 | RX-RH-30-BK-FS3816 | RX-RH-30-OR-FS3816 | SS | 3/8-16 | 3.13 | 79.5 | 1.82 | 46.2 | 0.72 | 18.3 |
| RH-40 | 10309704 | | RX-RH-40-BK-FP1213 | | ZN | 1/2-13 | 3.94 | 100.1 | 2.33 | 59.2 | 0.98 | 24.9 |
| 303 | 10098144 | | 302-60852 | | ZN | 5/16-18 | 2.16 | 54.9 | 1.46 | 37.1 | 0.59 | 15.0 |
| | 10098146 | | 302-60952 | | ZN | 3/8-16 | 3.13 | 79.5 | 1.89 | 48.0 | 0.79 | 20.1 |

- Material: Reinforced polyamide (PA)
- Usage: Use where frequent adjustments are required
- Can still be tightened when handle movement is restricted
- Available in black and orange
- No tools required.

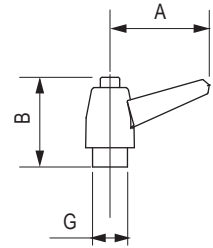
Ratchet Handles – Male – Metric



| | Part Number | | Reference Description | | Thread | | A | | B | | G | |
|----------|-------------|----------------------|-----------------------|----------------------|----------|------|------|------|------|------|------|------|
| | Black | Orange | Black | Orange | Material | Size | in | mm | in | mm | in | mm |
| RH-10 | 10309283 | | RX-RH-10-BK-MPM5-15 | | ZN | M5 | 1.63 | 41.4 | 1.21 | 30.7 | 0.59 | 15.0 |
| | 10309225 | | RX-RH-10-BK-MPM5-20 | | ZN | M5 | 1.63 | 41.4 | 1.21 | 30.7 | 0.79 | 20.1 |
| | 10309795 | 10309546 | RX-RH-10-BK-MPM6-15 | RX-RH-10-OR-MPM6-15 | ZN | M6 | 1.63 | 41.4 | 1.21 | 30.7 | 0.59 | 15.0 |
| | 10309714 | | RX-RH-10-BK-MPM6-20 | | ZN | M6 | 1.63 | 41.4 | 1.21 | 30.7 | 0.79 | 20.1 |
| | 10309612 | | RX-RH-10-BK-MPM6-25 | | ZN | M6 | 1.63 | 41.4 | 1.21 | 30.7 | 0.98 | 24.9 |
| | 10309453 | | RX-RH-10-BK-MPM6-30 | | ZN | M6 | 1.63 | 41.4 | 1.21 | 30.7 | 1.18 | 30.0 |
| | 10309565 | | RX-RH-10-BK-MSM6-15 | | SS | M6 | 1.63 | 41.4 | 1.21 | 30.7 | 0.59 | 15.0 |
| | 10309231 | | RX-RH-10-BK-MSM6-20 | | SS | M6 | 1.63 | 41.4 | 1.21 | 30.7 | 0.79 | 20.1 |
| | 10309640 | | RX-RH-10-BK-MSM6-25 | | SS | M6 | 1.63 | 41.4 | 1.21 | 30.7 | 0.98 | 24.9 |
| | 10309340 | 10309139 | RX-RH-10-BK-MSM6-30 | RX-RH-10-OR-MSM6-30 | SS | M6 | 1.63 | 41.4 | 1.21 | 30.7 | 1.18 | 30.0 |
| RH-20 | 10309670 | | RX-RH-20-BK-MPM8-15 | | ZN | M8 | 2.16 | 54.9 | 1.39 | 35.3 | 0.59 | 15.0 |
| | 10309506 | 10309102 | RX-RH-20-BK-MPM8-20 | RX-RH-20-OR-MPM8-20 | ZN | M8 | 2.16 | 54.9 | 1.39 | 35.3 | 0.79 | 20.1 |
| | 10309201 | 10309215 | RX-RH-20-BK-MPM8-30 | RX-RH-20-OR-MPM8-30 | ZN | M8 | 2.16 | 54.9 | 1.39 | 35.3 | 1.18 | 30.0 |
| | 10309219 | 10308976 | RX-RH-20-BK-MPM8-40 | RX-RH-20-OR-MPM8-40 | ZN | M8 | 2.16 | 54.9 | 1.39 | 35.3 | 1.57 | 39.9 |
| | 10309716 | | RX-RH-20-BK-MPM8-50 | | ZN | M8 | 2.16 | 54.9 | 1.39 | 35.3 | 1.97 | 50.0 |
| | 10309291 | | RX-RH-20-BK-MSM8-15 | | SS | M8 | 2.16 | 54.9 | 1.39 | 35.3 | 0.59 | 15.0 |
| | 10309186 | | RX-RH-20-BK-MSM8-20 | | SS | M8 | 2.16 | 54.9 | 1.39 | 35.3 | 0.79 | 20.1 |
| | 10309871 | 10309657 | RX-RH-20-BK-MSM8-30 | RX-RH-20-OR-MSM8-30 | SS | M8 | 2.16 | 54.9 | 1.39 | 35.3 | 1.18 | 30.0 |
| | 10309490 | | RX-RH-20-BK-MSM8-40 | | SS | M8 | 2.16 | 54.9 | 1.39 | 35.3 | 1.57 | 39.9 |
| | 10309457 | | RX-RH-20-BK-MSM8-50 | | SS | M8 | 2.16 | 54.9 | 1.39 | 35.3 | 1.97 | 50.0 |
| RH-30 | 10309046 | | RX-RH-30-BK-MPM10-20 | | ZN | M10 | 3.13 | 79.5 | 1.82 | 46.2 | 0.79 | 20.1 |
| | 10309016 | | RX-RH-30-BK-MPM10-30 | | ZN | M10 | 3.13 | 79.5 | 1.82 | 46.2 | 1.18 | 30.0 |
| | 10309450 | | RX-RH-30-BK-MPM10-40 | | ZN | M10 | 3.13 | 79.5 | 1.82 | 46.2 | 1.57 | 39.9 |
| | 10308987 | | RX-RH-30-BK-MPM10-50 | | ZN | M10 | 3.13 | 79.5 | 1.82 | 46.2 | 1.97 | 50.0 |
| | 10309472 | | RX-RH-30-BK-MPM12-20 | | ZN | M12 | 3.13 | 79.5 | 1.82 | 46.2 | 0.79 | 20.1 |
| | 10308998 | | RX-RH-30-BK-MPM12-30 | | ZN | M12 | 3.13 | 79.5 | 1.82 | 46.2 | 1.18 | 30.0 |
| | 10309305 | | RX-RH-30-BK-MPM12-40 | | ZN | M12 | 3.13 | 79.5 | 1.82 | 46.2 | 1.57 | 39.9 |
| | 10309282 | | RX-RH-30-BK-MPM12-50 | | ZN | M12 | 3.13 | 79.5 | 1.82 | 46.2 | 1.97 | 50.0 |
| | 10309083 | | RX-RH-30-BK-MPM12-60 | | ZN | M12 | 3.13 | 79.5 | 1.82 | 46.2 | 2.36 | 59.9 |
| | 10309762 | | RX-RH-30-BK-MSM10-20 | | SS | M10 | 3.13 | 79.5 | 1.82 | 46.2 | 0.79 | 20.1 |
| | 10309841 | 10309314 | RX-RH-30-BK-MSM10-30 | RX-RH-30-OR-MSM10-30 | SS | M10 | 3.13 | 79.5 | 1.82 | 46.2 | 1.18 | 30.0 |
| | 10309631 | | RX-RH-30-BK-MSM10-40 | | SS | M10 | 3.13 | 79.5 | 1.82 | 46.2 | 1.57 | 39.9 |
| | | 10309629 | | RX-RH-30-OR-MSM10-50 | SS | M10 | 3.13 | 79.5 | 1.82 | 46.2 | 1.97 | 50.0 |
| | 10309456 | | RX-RH-30-BK-MSM12-30 | | SS | M12 | 3.13 | 79.5 | 1.82 | 46.2 | 1.18 | 30.0 |
| | 10309063 | | RX-RH-30-BK-MSM12-40 | | SS | M12 | 3.13 | 79.5 | 1.82 | 46.2 | 1.57 | 39.9 |
| 10309008 | 10309540 | RX-RH-30-BK-MSM12-50 | RX-RH-30-OR-MSM12-50 | SS | M12 | 3.13 | 79.5 | 1.82 | 46.2 | 1.97 | 50.0 | |

- Material: Reinforced polyamide (PA)
- Usage: Use where frequent adjustments are required
- Can still be tightened when handle movement is restricted
- Available in black and orange
- No tools required.

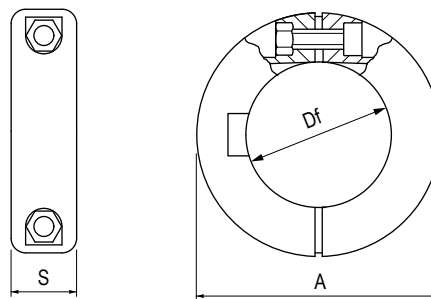
Ratchet Handles – Female – Metric



| | Part Number | | Reference Description | | Thread | | A | | B | | G | |
|-------|-------------|----------|-----------------------|-------------------|----------|------|------|------|------|------|------|------|
| | Black | Orange | Black | Orange | Material | Size | in | mm | in | mm | in | mm |
| RH-10 | 10309352 | | RX-RH-10-BK-FPM5 | | ZN | M5 | 1.63 | 41.4 | 1.21 | 30.7 | 0.42 | 10.7 |
| | 10309181 | | RX-RH-10-BK-FPM6 | | ZN | M6 | 1.63 | 41.4 | 1.21 | 30.7 | 0.42 | 10.7 |
| | 10309124 | 10309203 | RX-RH-10-BK-FSM5 | RX-RH-10-OR-FSM5 | SS | M5 | 1.63 | 41.4 | 1.21 | 30.7 | 0.42 | 10.7 |
| | 10309774 | | RX-RH-10-BK-FSM6 | | SS | M6 | 1.63 | 41.4 | 1.21 | 30.7 | 0.42 | 10.7 |
| RH-20 | 10309337 | | RX-RH-20-BK-FPM6 | | ZN | M6 | 2.16 | 54.9 | 1.39 | 35.3 | 0.53 | 13.5 |
| | 10309097 | | RX-RH-20-BK-FPM8 | | ZN | M8 | 2.16 | 54.9 | 1.39 | 35.3 | 0.53 | 13.5 |
| | 10309403 | 10309153 | RX-RH-20-BK-FSM6 | RX-RH-20-OR-FSM6 | SS | M6 | 2.16 | 54.9 | 1.39 | 35.3 | 0.53 | 13.5 |
| | 10309486 | 10309019 | RX-RH-20-BK-FSM8 | RX-RH-20-OR-FSM8 | SS | M8 | 2.16 | 54.9 | 1.39 | 35.3 | 0.53 | 13.5 |
| RH-30 | 10309395 | | RX-RH-30-BK-FPM10 | | ZN | M10 | 3.13 | 79.5 | 1.82 | 46.2 | 0.72 | 18.3 |
| | 10309636 | | RX-RH-30-BK-FPM12 | | ZN | M12 | 3.13 | 79.5 | 1.82 | 46.2 | 0.72 | 18.3 |
| | 10309010 | | RX-RH-30-BK-FPM8 | | ZN | M8 | 3.13 | 79.5 | 1.82 | 46.2 | 0.72 | 18.3 |
| | 10309173 | 10309587 | RX-RH-30-BK-FSM10 | RX-RH-30-OR-FSM10 | SS | M10 | 3.13 | 79.5 | 1.82 | 46.2 | 0.72 | 18.3 |
| | 10309405 | | RX-RH-30-BK-FSM8 | | SS | M8 | 3.13 | 79.5 | 1.82 | 46.2 | 0.72 | 18.3 |

- Material: Reinforced polyamide (PA)
- Usage: Use where frequent adjustments are required
- Can still be tightened when handle movement is restricted
- Available in black and orange
- No tools required.

Split Shaft Collars – Round Bore

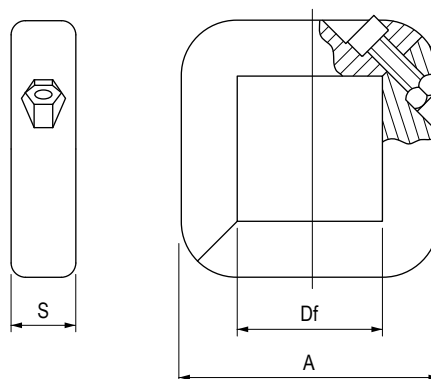


| Part Number | Reference Description | Keyway | Bore Dia - Df | | Diameter - A | | Overall Width - S | |
|-------------|-----------------------|----------------|---------------|------|--------------|------|-------------------|------|
| | | | in | mm | in | mm | in | mm |
| 10129495 | 612-655072 | Without Keyway | 1/2 | – | 1.18 | 30.0 | 0.46 | 11.7 |
| 10129496 | 612-655092 | | 5/8 | – | 1.38 | 35.1 | 0.46 | 11.7 |
| 10129497 | 612-655102 | | 3/4 | – | 1.57 | 39.9 | 0.55 | 14.0 |
| 10129490 | 612-608463 | | 1-1/4 | – | 1.97 | 50.0 | 0.63 | 16.0 |
| 10129491 | 612-611283 | | 1-1/2 | – | 2.50 | 63.5 | 0.71 | 18.0 |
| 10129501 | 612-686232 | | – | 40.0 | 2.50 | 63.5 | 0.71 | 18.0 |
| 10129498 | 612-655112 | With Keyway | 1 | – | 1.77 | 45.0 | 0.55 | 14.0 |
| 10129499 | 612-655122 | | 1-1/4 | – | 1.97 | 50.0 | 0.63 | 16.0 |
| 10129489 | 612-605043 | | 1-7/16 | – | 2.50 | 63.5 | 0.71 | 18.0 |
| 10129500 | 612-655132 | | 1-1/2 | – | 2.50 | 63.5 | 0.71 | 18.0 |

– Material: Collar in reinforced polyamide (PA), stainless steel hardware

– Maximum recommended tightening torque: 26 in-lbs (0.3 kg/m)

Split Shaft Collars – Square Bore

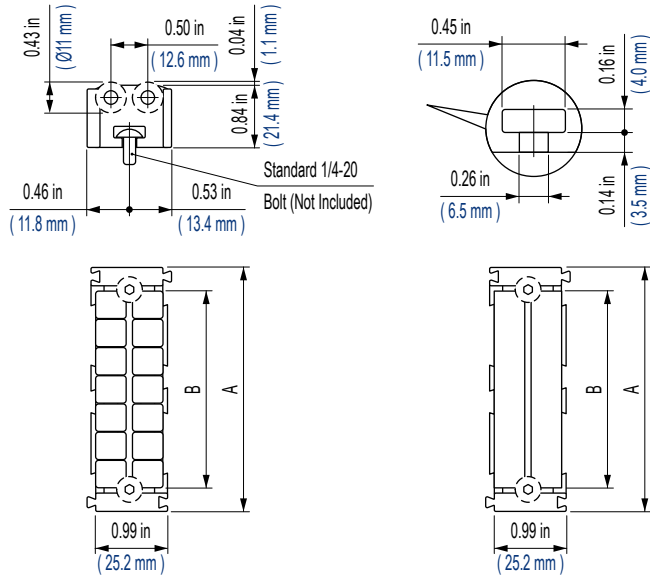


| Part Number | Reference Description | Keyway | Bore Dia - Df | | Diameter - A | | Overall Width - S | |
|-------------|-----------------------|----------------|---------------|----|--------------|------|-------------------|------|
| | | | in | mm | in | mm | in | mm |
| 10129503 | 612-692942 | Without Keyway | 1-1/2 | – | 2.83 | 71.9 | 0.71 | 18.0 |
| 10129505 | 612-692972 | | 2-1/2 | – | 3.74 | 95.0 | 0.71 | 18.0 |

– Material: Collar in reinforced polyamide (PA), stainless steel hardware

– Maximum recommended tightening torque: 26 in-lbs (0.3 kg/m)

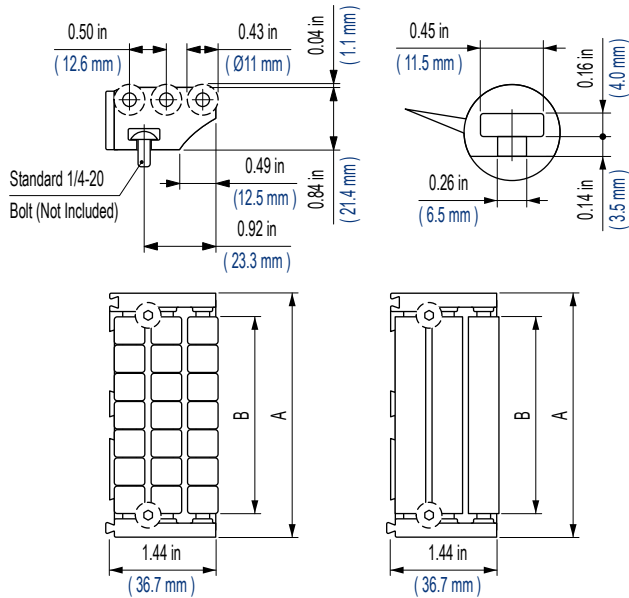
Center Transfer Module



| Roller Type | Hardware | A | | B | | Part Number | Reference Description |
|-----------------------|----------|------|-------|------|------|-------------|-----------------------|
| | | in | mm | in | mm | | |
| Multiple Small Roller | - | 3.35 | 85.1 | 2.66 | 67.6 | 10107056 | 568-605912 |
| | - | 4.53 | 115.1 | 3.82 | 97.0 | 10107059 | 568-687402 |
| Single Roller | - | 3.35 | 85.1 | 2.66 | 67.6 | 10107055 | 568-603402 |
| | - | 4.53 | 115.1 | 3.82 | 97.0 | 10107060 | 568-699022 |

- Material: Frame in Rexnord HP™ acetal (POM)
- Multiple roller version uses rollers in Rexnord HP acetal (POM) material
- Single roller version uses rollers in polyethylene (PE)
- Roller shafts are stainless steel
- Patent: US6164435

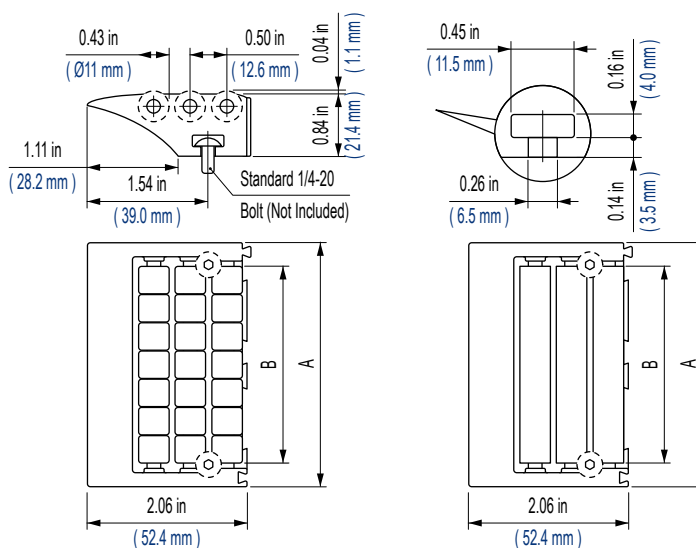
End Transfer Module (without Lip)



| Roller Type | Hardware | A | | B | | Part Number | Reference Description |
|-----------------------|----------|------|-------|------|------|-------------|-----------------------|
| | | in | mm | in | mm | | |
| Multiple Small Roller | - | 3.35 | 85.1 | 2.66 | 67.6 | 10107153 | 569-605922 |
| | - | 4.53 | 115.1 | 3.82 | 97.0 | 10107155 | 569-687392 |
| Single Roller | - | 3.35 | 85.1 | 2.66 | 67.6 | 10107152 | 569-603412 |
| | - | 4.53 | 115.1 | 3.82 | 97.0 | 10107156 | 569-699012 |

- Material: Frame in Rexnord HP acetal (POM)
- Multiple roller version uses rollers in Rexnord HP acetal (POM) material
- Single roller version uses rollers in polyethylene (PE)
- Roller shafts are stainless steel
- Patent: US6164435

End Transfer Module with Lip (3 Axle)

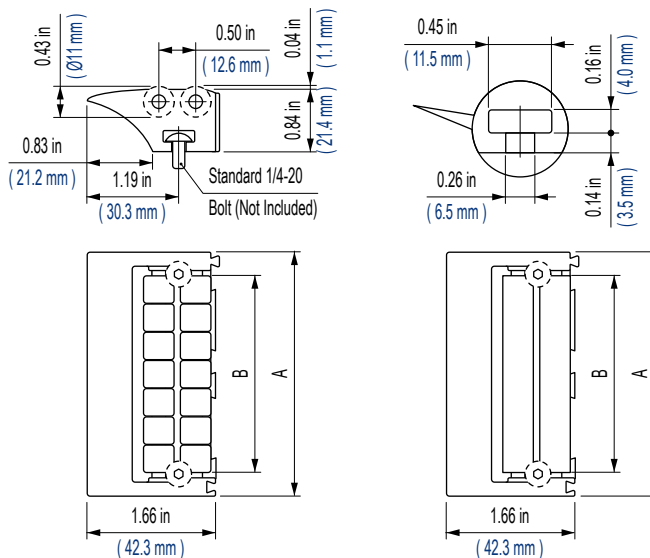


B

| Roller Type | Hardware | A | | B | | Part Number | Reference Description |
|-----------------------|----------|------|-------|------|------|-------------|-----------------------|
| | | in | mm | in | mm | | |
| Multiple Small Roller | – | 3.35 | 85.1 | 2.66 | 67.6 | 10106952 | 567-688792 |
| | M5x13mm | 3.35 | 85.1 | 2.66 | 67.6 | 10106954 | 567-688812 |
| | – | 4.53 | 115.1 | 3.82 | 97.0 | 10106951 | 567-687382 |
| Single Roller | – | 3.35 | 85.1 | 2.66 | 67.6 | 10106955 | 567-688822 |
| | – | 4.53 | 115.1 | 3.82 | 97.0 | 10106956 | 567-699002 |

- Material: Frame in Rexnord HP acetal (POM)
- Multiple roller version uses rollers in Rexnord HP acetal (POM) material
- Single roller version uses rollers in polyethylene (PE)
- Roller shafts are stainless steel
- Patent: US6164435

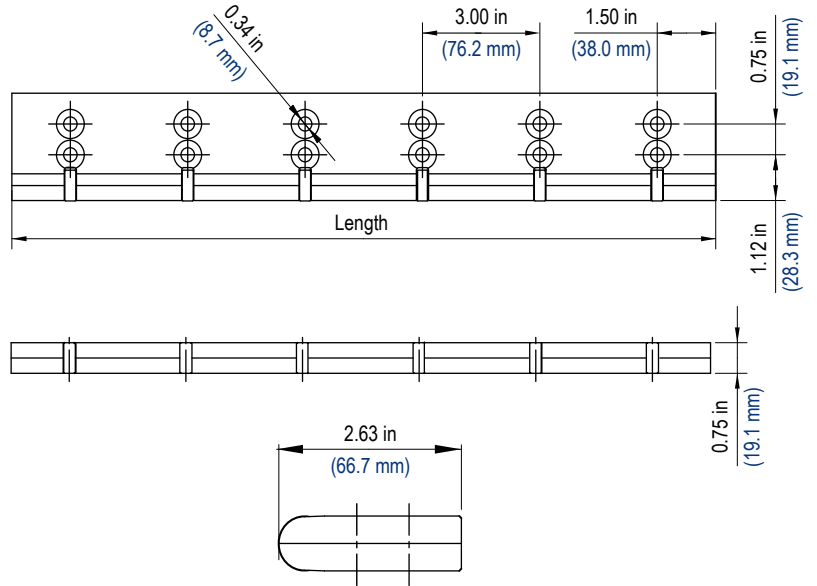
End Transfer Module with Lip (2 Axle)



| Roller Type | Hardware | A | | B | | Part Number | Reference Description |
|-----------------------|----------|------|-------|------|------|-------------|-----------------------|
| | | in | mm | in | mm | | |
| Multiple Small Roller | – | 3.35 | 85.1 | 2.66 | 67.6 | 10138178 | 672-687412 |
| | – | 4.53 | 115.1 | 3.82 | 97.0 | 10138180 | 672-687432 |
| Single Roller | – | 3.35 | 85.1 | 2.66 | 67.6 | 10138181 | 672-699032 |

- Material: Frame in Rexnord HP acetal (POM)
- Multiple roller version uses rollers in Rexnord HP acetal (POM) material
- Single roller version uses rollers in polyethylene (PE)
- Roller shafts are stainless steel
- Patent: US6164435

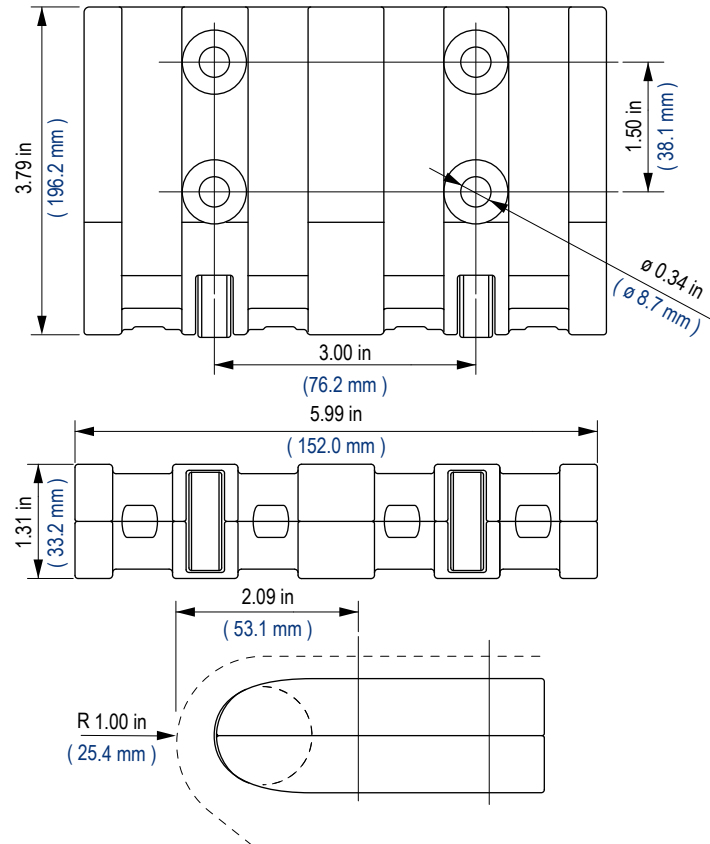
Dynamic Nose-Over Bar For 1500 Series Chains



| Overall Length | | Part Number | Reference Description |
|----------------|-------|-------------|-----------------------|
| in | mm | | |
| 6.00 | 152.4 | 10148221 | 905-656421 |
| 18.00 | 457.2 | 10148213 | 905-656231 |
| 24.00 | 609.6 | 10148214 | 905-656241 |

- Material: Nose-over bar in UHMWPE. Steel bearings
- Usage: For 1505 and 1506 MatTop® chains

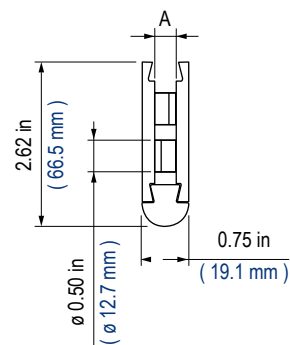
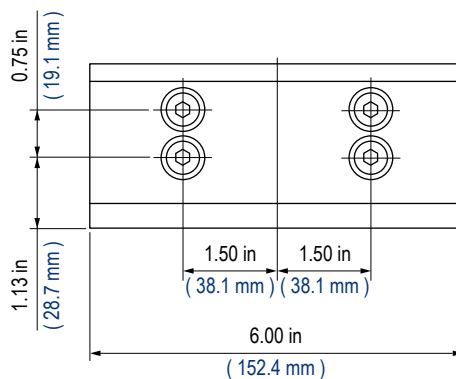
Dynamic Nose-Over Bar For 8500 Series Chains



| Overall Length | | Part Number |
|----------------|-------|-------------|
| in | mm | |
| 6.00 | 152.4 | 10193110 |

- Material: Nose-over bar in polyamide (PA). Steel bearings
- Usage: For 8503, 8505 and 8507 MatTop® chains

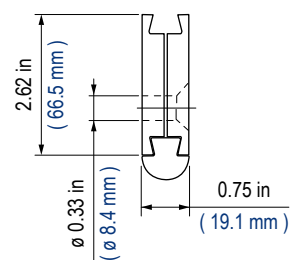
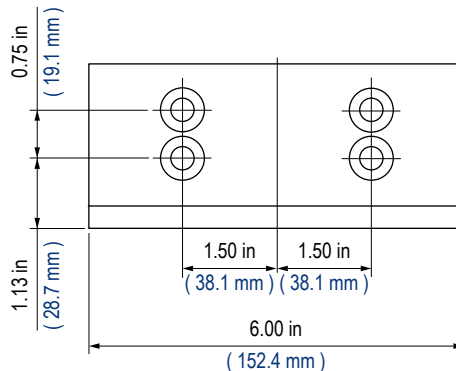
Modular Nose-Over Bar Low Profile



| Bolt Size | | A | | Part Number | Reference Description |
|-----------|----|------|-----|-------------|-----------------------|
| in | mm | in | mm | | |
| 1/4-20 | – | 0.25 | – | 10148212 | 905-655731 |
| – | M6 | – | 8.0 | 10148211 | 905-655721 |

– Material: Clamp in polyamide (PA), sliding profile in Nylatron®, steel hardware

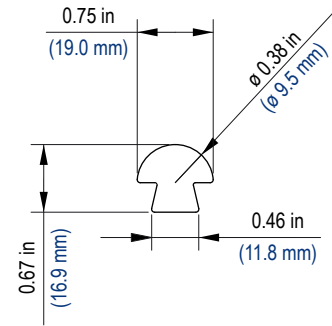
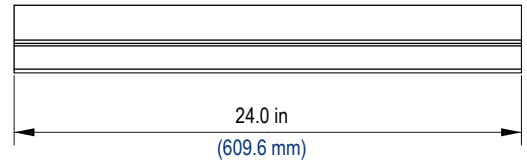
Modular Nose-Over Bar Standard Profile



| Part Number | Reference Description |
|-------------|-----------------------|
| 10148210 | 905-655711 |

– Material: Clamp in polyamide (PA), sliding profile in Nylatron®, steel hardware

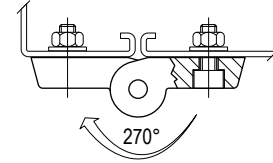
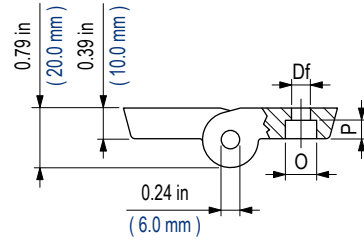
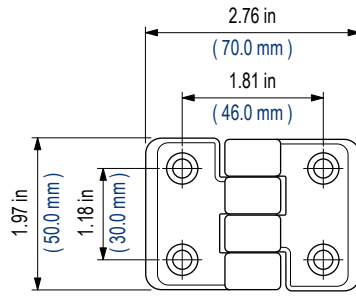
Modular Nose-Over Bar Replacement Profile



| Overall Length | | Part Number | Reference Description |
|----------------|-------|-------------|-----------------------|
| in | mm | | |
| 24.00 | 609.6 | 10030138 | 0-656061 |

- Material: Profile in Nylatron®
- Usage: Replacement sliding element for standard and low profile nose-over bars

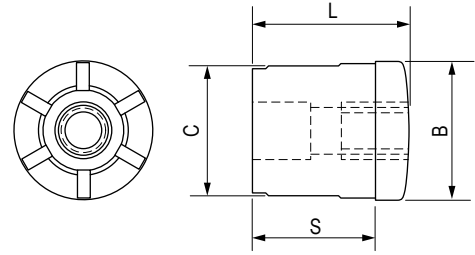
Hinge



| Df | | O | | P | | Part Number | Reference Number |
|------|-----|------|------|------|-----|-------------|------------------|
| in | mm | in | mm | in | mm | | |
| 0.26 | 6.6 | 0.41 | 10.4 | 0.24 | 6.1 | 10100712 | 337-67023N |

- Material: Hinge in reinforced polyamide (PA), pin ferritic stainless steel
- Maximum recommended tightening torque: 43 in-lbs (0.5 kg/m)

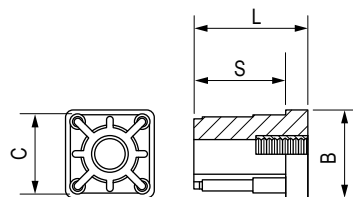
Tube End – Round



| Part Number | Reference Description | Thread Size | B | | C | | L | S | Tube Size | Static Load | |
|-------------|-----------------------|-------------|------|------|------|------|------|-------|-----------|-------------|--------|
| | | | in | mm | in | mm | | | | lb | kg |
| 10309085 | RX-554-B38 | 3/8-16 | 2.00 | 50.8 | 1.76 | 44.7 | 2.00 | 1.570 | | 1750 | 793.79 |
| 10309812 | RX-554-B12 | 1/2-13 | 2.00 | 50.8 | 1.76 | 44.7 | 2.00 | 1.570 | | 1750 | 793.79 |
| 10308984 | RX-554-B58 | 5/8-11 | 2.00 | 50.8 | 1.76 | 44.7 | 2.00 | 1.570 | | 1750 | 793.79 |
| 10309195 | RX-554-B34 | 3/4-10 | 2.00 | 50.8 | 1.76 | 44.7 | 2.00 | 1.570 | | 1750 | 793.79 |
| 10309694 | RX-554-BM16 | M16 | 2.00 | 50.8 | 1.76 | 44.7 | 2.00 | 1.570 | | 1750 | 793.79 |
| 10309865 | RX-554-BM20 | M20 | 2.00 | 50.8 | 1.76 | 44.7 | 2.00 | 1.570 | | 1750 | 793.79 |

- Material: Reinforced polyamide (PA) with brass insert.
- Usage: Conveyor and machinery support for use with all Rexnord levelers

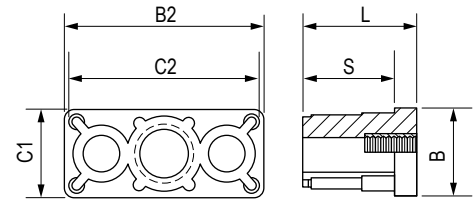
Tube End – Square



| Part Number | Reference Description | Thread Size | B | | C | | L | S | Tube Size | Static Load | |
|-------------|-----------------------|-------------|------|------|------|------|------|-------|-----------|-------------|--------|
| | | | in | mm | in | mm | | | | lb | kg |
| 10309168 | RX-34200 | 3/8-16 | 1.00 | 25.4 | 1.00 | 25.4 | 1.23 | 0.970 | | 1000 | 453.60 |
| 10309301 | RX-600-16-10 | M10 | 1.00 | 25.4 | 1.00 | 25.4 | 1.23 | 0.970 | | 1000 | 453.60 |
| 10309026 | RX-553-B38 | 3/8-16 | 1.50 | 38.1 | 1.26 | 32.0 | 1.70 | 1.380 | | 1000 | 453.60 |
| 10309317 | RX-553-B12 | 1/2-13 | 1.50 | 38.1 | 1.26 | 32.0 | 1.70 | 1.380 | | 1000 | 453.60 |
| 10309693 | RX-553-B58 | 5/8-11 | 1.50 | 38.1 | 1.26 | 32.0 | 1.70 | 1.380 | | 1000 | 453.60 |
| 10309832 | RX-553-B34 | 3/4-10 | 1.50 | 38.1 | 1.26 | 32.0 | 1.70 | 1.380 | | 1000 | 453.60 |
| 10309481 | RX-553-BM16 | M16 | 1.50 | 38.1 | 1.26 | 32.0 | 1.70 | 1.380 | | 1000 | 453.60 |
| 10309136 | RX-553-BM20 | M20 | 1.50 | 38.1 | 1.26 | 32.0 | 1.70 | 1.380 | | 1000 | 453.60 |
| 10309466 | RX-552-B38 | 3/8-16 | 1.50 | 38.1 | 1.37 | 34.8 | 1.70 | 1.380 | | 1000 | 453.60 |
| 10309479 | RX-552-B12 | 1/2-13 | 1.50 | 38.1 | 1.37 | 34.8 | 1.70 | 1.380 | | 1000 | 453.60 |
| 10309789 | RX-552-B58 | 5/8-11 | 1.50 | 38.1 | 1.37 | 34.8 | 1.70 | 1.380 | | 1000 | 453.60 |
| 10309321 | RX-552-B34 | 3/4-10 | 1.50 | 38.1 | 1.37 | 34.8 | 1.70 | 1.380 | | 1000 | 453.60 |
| 10308992 | RX-552-BM16 | M16 | 1.50 | 38.1 | 1.37 | 34.8 | 1.70 | 1.380 | | 1000 | 453.60 |
| 10309012 | RX-552-BM20 | M20 | 1.50 | 38.1 | 1.37 | 34.8 | 1.70 | 1.380 | | 1000 | 453.60 |
| 10309505 | RX-556-B38 | 3/8-16 | 2.00 | 50.8 | 1.78 | 45.2 | 2.00 | 1.580 | | 1750 | 793.79 |
| 10309858 | RX-556-B12 | 1/2-13 | 2.00 | 50.8 | 1.78 | 45.2 | 2.00 | 1.580 | | 1750 | 793.79 |
| 10309635 | RX-556-B58 | 5/8-11 | 2.00 | 50.8 | 1.78 | 45.2 | 2.00 | 1.580 | | 1750 | 793.79 |
| 10309369 | RX-556-B34 | 3/4-10 | 2.00 | 50.8 | 1.78 | 45.2 | 2.00 | 1.580 | | 1750 | 793.79 |
| 10309015 | RX-556-BM16 | M16 | 2.00 | 50.8 | 1.78 | 45.2 | 2.00 | 1.580 | | 1750 | 793.79 |
| 10309575 | RX-556-BM20 | M20 | 2.00 | 50.8 | 1.78 | 45.2 | 2.00 | 1.580 | | 1750 | 793.79 |
| 10091062 | 224-59241 | 3/4-10 | 2.00 | 50.8 | 1.78 | 45.2 | 2.17 | 1.780 | 1800 | 816.47 | |

- Material: Reinforced polyamide (PA) with brass insert.
- Usage: Conveyor and machinery support for use with all Rexnord levelers

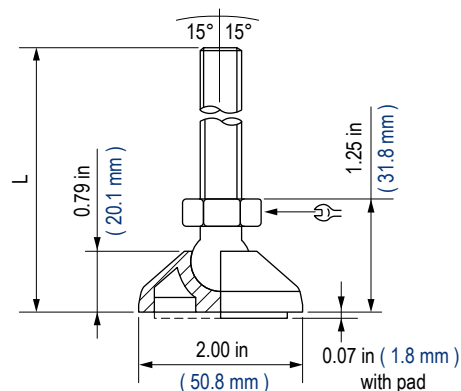
Tube End – Rectangular



| Part Number | Reference Description | Thread Size | B2 | | C2 | | L | S | Tube Size | Static Load | |
|-------------|-----------------------|-------------|------|------|------|------|------|-------|-----------|-------------|--------|
| | | | in | mm | in | mm | | | | lb | kg |
| 10309159 | RX-561-B58 | 5/8-11 | 3.00 | 76.2 | 2.00 | 50.8 | 2.00 | 1.570 | | 1750 | 793.79 |
| 10309482 | RX-561-B34 | 3/4-10 | 3.00 | 76.2 | 2.00 | 50.8 | 2.00 | 1.570 | | 1750 | 793.79 |
| 10309003 | RX-561-BM16 | M16 | 3.00 | 76.2 | 2.00 | 50.8 | 2.00 | 1.570 | | 1750 | 793.79 |
| 10309648 | RX-561-BM20 | M20 | 3.00 | 76.2 | 2.00 | 50.8 | 2.00 | 1.570 | | 1750 | 793.79 |

- Material: Reinforced polyamide (PA) with brass insert.
- Usage: Conveyor and machinery support for use with all Rexnord levelers

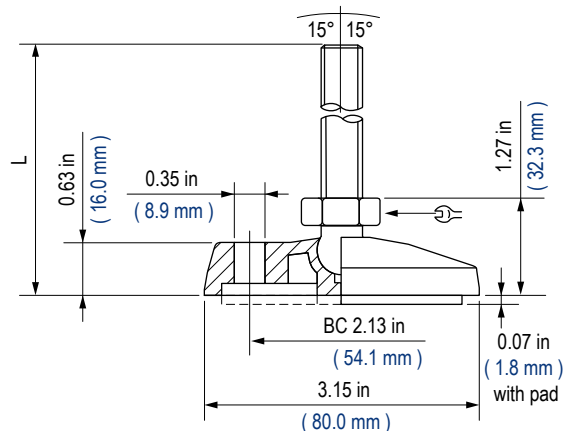
Articulating Leveler – 537



| Without Lag Holes | | Thread Size | Spindle Material | Spindle Type | Height - L | |
|-------------------|-----------------------|-------------|------------------|--------------|------------|-------|
| Part Number | Reference Description | | | | in | mm |
| 10309760 | RX-537-01-P38-L3 | 3/8-16 | ZN | 6a | 3.90 | 99.1 |
| 10309206 | RX-537-01-S38-L3 | 3/8-16 | SS | 6a | 3.90 | 99.1 |
| 10309287 | RX-537-01-P38-L5 | 3/8-16 | ZN | 6a | 6.10 | 154.9 |
| 10309803 | RX-537-01-P12-L3 | 1/2-13 | ZN | 6a | 3.90 | 99.1 |
| 10309257 | RX-537-01-S12-L3 | 1/2-13 | SS | 6a | 3.90 | 99.1 |
| 10309404 | RX-537-01-P12-L5 | 1/2-13 | ZN | 6a | 6.10 | 154.9 |
| 10309151 | RX-537-01-S12-L5 | 1/2-13 | SS | 6a | 6.10 | 154.9 |
| 10309339 | RX-537-01-P58-L3 | 5/8-11 | ZN | 6a | 3.90 | 99.1 |
| 10309017 | RX-537-01-S58-L3 | 5/8-11 | SS | 6a | 3.90 | 99.1 |
| 10309390 | RX-537-01-P58-L5 | 5/8-11 | ZN | 6a | 6.10 | 154.9 |
| 10309197 | RX-537-01-S58-L5 | 5/8-11 | SS | 6a | 6.10 | 154.9 |

- Material: Footplate in reinforced polyamide (PA)
- Usage: Light duty machinery support
- Anti-slip pad also available – RX-506
- Maximum Static Load: 700 lbs

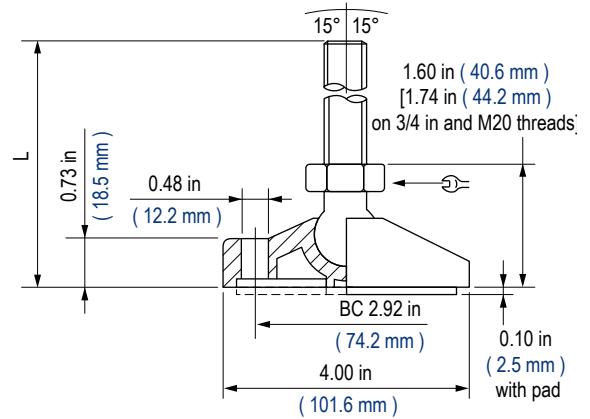
Articulating Leveler – 505



| Without Lag Holes | | With Two Lag Holes | | Thread Size | Spindle Material | Spindle Type | Height - L | |
|-------------------|-----------------------|--------------------|-----------------------|-------------|------------------|--------------|------------|-------|
| Part Number | Reference Description | Part Number | Reference Description | | | | in | mm |
| 10309232 | RX-505-01-P38-L3 | 10309145 | RX-505-02-P38-L3 | 3/8-16 | ZN | 6a | 3.74 | 95.0 |
| 10309873 | RX-505-01-S38-L3 | 10309593 | RX-505-02-S38-L3 | 3/8-16 | SS | 6a | 3.74 | 95.0 |
| 10309335 | RX-505-01-P12-L3 | 10309867 | RX-505-02-P12-L3 | 1/2-13 | ZN | 6a | 3.74 | 95.0 |
| 10309454 | RX-505-01-S12-L3 | 10309663 | RX-505-02-S12-L3 | 1/2-13 | SS | 6a | 3.74 | 95.0 |
| 10308994 | RX-505-01-P12-L5 | 10309749 | RX-505-02-P12-L5 | 1/2-13 | ZN | 6a | 5.93 | 150.6 |
| 10308968 | RX-505-01-S12-L5 | 10309633 | RX-505-02-S12-L5 | 1/2-13 | SS | 6a | 5.93 | 150.6 |
| 10309792 | RX-505-01-P58-L3 | 10309752 | RX-505-02-P58-L3 | 5/8-11 | ZN | 6a | 3.74 | 95.0 |
| 10309701 | RX-505-01-S58-L3 | 10309162 | RX-505-02-S58-L3 | 5/8-11 | SS | 6a | 3.74 | 95.0 |
| 10309495 | RX-505-01-P58-L5 | 10309442 | RX-505-02-P58-L5 | 5/8-11 | ZN | 6a | 5.93 | 150.6 |
| 10309198 | RX-505-01-S58-L5 | 10309193 | RX-505-02-S58-L5 | 5/8-11 | SS | 6a | 5.93 | 150.6 |

- Material: Footplate in reinforced polyamide (PA)
- Usage: Conveyor and machinery support
- Anti-slip pad also available – RX-506
- Maximum Static Load: 2000 lbs

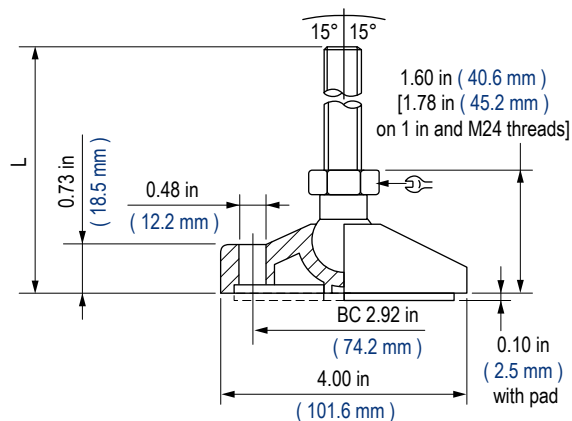
Articulating Leveler – 511



| Without Lag Holes | | With Two Lag Holes | | With One Lag Hole | | With Skinned Lag Holes | | Thread Size | Spindle Material | Spindle Type | Height - L | |
|-------------------|-----------------------|--------------------|-----------------------|-------------------|-----------------------|------------------------|-----------------------|-------------|------------------|--------------|------------|-------|
| Part Number | Reference Description | Part Number | Reference Description | Part Number | Reference Description | Part Number | Reference Description | | | | in | mm |
| 10309397 | RX-511-01-P12-L3 | 10309048 | RX-511-02-P12-L3 | 10309489 | RX-511-03-P12-L3 | 10309856 | RX-511-04-P12-L3 | 1/2-13 | ZN | 6a | 4.52 | 114.8 |
| 10309649 | RX-511-01-S12-L3 | 10309107 | RX-511-02-S12-L3 | 10309610 | RX-511-03-S12-L3 | 10309833 | RX-511-04-S12-L3 | 1/2-13 | SS | 6a | 4.52 | 114.8 |
| 10309698 | RX-511-01-P12-L5 | 10309619 | RX-511-02-P12-L5 | 10309715 | RX-511-03-P12-L5 | 10309246 | RX-511-04-P12-L5 | 1/2-13 | ZN | 6a | 6.20 | 157.5 |
| 10309745 | RX-511-01-S12-L5 | 10309438 | RX-511-02-S12-L5 | 10309071 | RX-511-03-S12-L5 | 10309709 | RX-511-04-S12-L5 | 1/2-13 | SS | 6a | 6.20 | 157.5 |
| 10309445 | RX-511-01-P58-L3 | 10309429 | RX-511-02-P58-L3 | 10309084 | RX-511-03-P58-L3 | 10309349 | RX-511-04-P58-L3 | 5/8-11 | ZN | 6a | 4.52 | 114.8 |
| 10309406 | RX-511-01-S58-L3 | 10309141 | RX-511-02-S58-L3 | 10309655 | RX-511-03-S58-L3 | 10309278 | RX-511-04-S58-L3 | 5/8-11 | SS | 6a | 4.52 | 114.8 |
| 10309623 | RX-511-01-P58-L5 | 10309675 | RX-511-02-P58-L5 | 10309323 | RX-511-03-P58-L5 | 10309690 | RX-511-04-P58-L5 | 5/8-11 | ZN | 6a | 6.20 | 157.5 |
| 10309809 | RX-511-01-S58-L5 | 10309817 | RX-511-02-S58-L5 | 10309452 | RX-511-03-S58-L5 | 10309302 | RX-511-04-S58-L5 | 5/8-11 | SS | 6a | 6.20 | 157.5 |
| 10309247 | RX-511-01-P58-L7 | 10309822 | RX-511-02-P58-L7 | 10309328 | RX-511-03-P58-L7 | 10309847 | RX-511-04-P58-L7 | 5/8-11 | ZN | 6a | 7.69 | 195.3 |
| 10309773 | RX-511-01-S58-L7 | 10309502 | RX-511-02-S58-L7 | 10309415 | RX-511-03-S58-L7 | 10309240 | RX-511-04-S58-L7 | 5/8-11 | SS | 6a | 7.69 | 195.3 |
| 10309047 | RX-511-01-P34-L5 | 10309643 | RX-511-02-P34-L5 | 10309802 | RX-511-03-P34-L5 | 10309463 | RX-511-04-P34-L5 | 3/4-10 | ZN | 6a | 6.20 | 157.5 |
| 10309702 | RX-511-01-S34-L5 | 10309449 | RX-511-02-S34-L5 | 10309689 | RX-511-03-S34-L5 | 10309786 | RX-511-04-S34-L5 | 3/4-10 | SS | 6a | 6.20 | 157.5 |
| 10309420 | RX-511-01-P34-L7 | 10309095 | RX-511-02-P34-L7 | 10309363 | RX-511-03-P34-L7 | 10309550 | RX-511-04-P34-L7 | 3/4-10 | ZN | 6a | 7.69 | 195.3 |
| 10309818 | RX-511-01-S34-L7 | 10309023 | RX-511-02-S34-L7 | 10309179 | RX-511-03-S34-L7 | 10309105 | RX-511-04-S34-L7 | 3/4-10 | SS | 6a | 7.69 | 195.3 |
| 10309562 | RX-511-01-P34-L10 | 10309778 | RX-511-02-P34-L10 | 10309710 | RX-511-03-P34-L10 | 10309052 | RX-511-04-P34-L10 | 3/4-10 | ZN | 6a | 10.69 | 271.5 |
| 10309740 | RX-511-01-S34-L10 | 10309598 | RX-511-02-S34-L10 | 10309561 | RX-511-03-S34-L10 | 10309659 | RX-511-04-S34-L10 | 3/4-10 | SS | 6a | 10.69 | 271.5 |
| 10309079 | RX-511-01-SM20-L10 | 10309499 | RX-511-02-SM20-L10 | 10309045 | RX-511-03-SM20-L10 | 10309024 | RX-511-04-SM20-L10 | M20 | SS | 6a | 10.69 | 271.5 |

- Material: Footplate in reinforced polyamide (PA)
- Usage: Conveyor and machinery support
- Anti-slip pad also available – RX-512
- Maximum Static Load: 2600 lbs

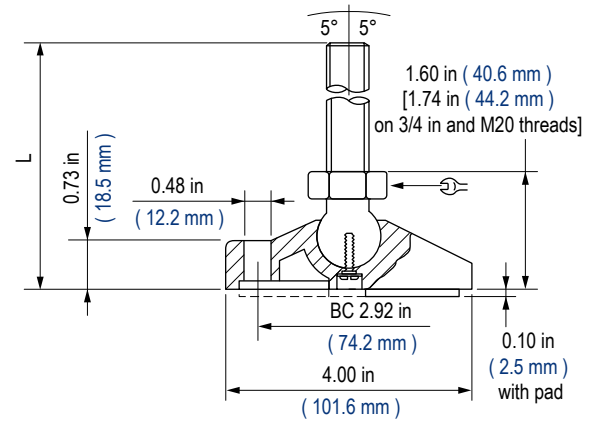
Articulating Leveler – 511H



| Without Lag Holes | | With Two Lag Holes | | With One Lag Hole | | With Skinned Lag Holes | | Thread Size | Spindle Material | Spindle Type | Height - L | |
|-------------------|-----------------------|--------------------|-----------------------|-------------------|-----------------------|------------------------|-----------------------|-------------|------------------|--------------|------------|-------|
| Part Number | Reference Description | Part Number | Reference Description | Part Number | Reference Description | Part Number | Reference Description | | | | in | mm |
| 10309252 | RX-511H-01-P100-L7 | 10309519 | RX-511H-02-P100-L7 | 10309230 | RX-511H-03-P100-L7 | 10309061 | RX-511H-04-P100-L7 | 1-8 | ZN | 6b | 7.69 | 195.3 |
| 10309861 | RX-511H-01-S100-L7 | 10309686 | RX-511H-02-S100-L7 | 10309428 | RX-511H-03-S100-L7 | 10309020 | RX-511H-04-S100-L7 | 1-8 | SS | 6b | 7.69 | 195.3 |
| 10309379 | RX-511H-01-P100-L10 | 10309277 | RX-511H-02-P100-L10 | 10309121 | RX-511H-03-P100-L10 | 10309757 | RX-511H-04-P100-L10 | 1-8 | ZN | 6b | 9.95 | 252.7 |
| 10309074 | RX-511H-01-S100-L10 | 10309650 | RX-511H-02-S100-L10 | 10309325 | RX-511H-03-S100-L10 | 10309154 | RX-511H-04-S100-L10 | 1-8 | SS | 6b | 9.95 | 252.7 |

- Material: Footplate in reinforced polyamide (PA)
- Usage: Conveyor and machinery support
- Anti-slip pad also available – RX-512
- Maximum Static Load: 2600 lbs

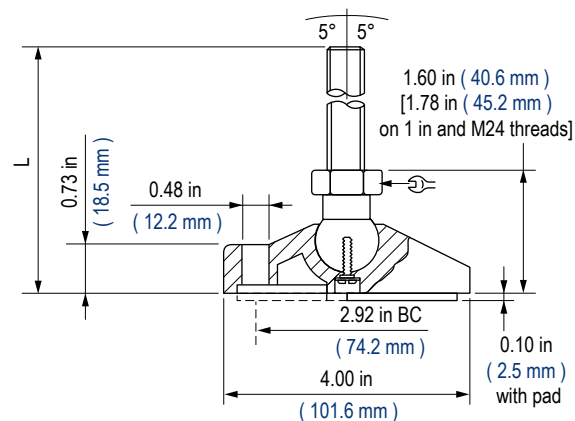
Articulating Leveler – 511-T



| Without Lag Holes | | With Two Lag Holes | | With One Lag Hole | | With Skinned Lag Holes | | Thread Size | Spindle Material | Spindle Type | Height - L | |
|-------------------|-----------------------|--------------------|-----------------------|-------------------|-----------------------|------------------------|-----------------------|-------------|------------------|--------------|------------|-------|
| Part Number | Reference Description | Part Number | Reference Description | Part Number | Reference Description | Part Number | Reference Description | | | | in | mm |
| 10309830 | RX-511-01-P12-L5T | 10309658 | RX-511-02-P12-L5T | 10309255 | RX-511-03-P12-L5T | 10309530 | RX-511-04-P12-L5T | 1/2-13 | ZN | 6bl | 6.20 | 157.5 |
| 10309511 | RX-511-01-S12-L5T | 10309478 | RX-511-02-S12-L5T | 10309638 | RX-511-03-S12-L5T | 10309011 | RX-511-04-S12-L5T | 1/2-13 | SS | 6bl | 6.20 | 157.5 |
| 10309739 | RX-511-01-P58-L5T | 10309315 | RX-511-02-P58-L5T | 10309170 | RX-511-03-P58-L5T | 10309458 | RX-511-04-P58-L5T | 5/8-11 | ZN | 6bl | 6.20 | 157.5 |
| 10309805 | RX-511-01-S58-L5T | 10309743 | RX-511-02-S58-L5T | 10309326 | RX-511-03-S58-L5T | 10309469 | RX-511-04-S58-L5T | 5/8-11 | SS | 6bl | 6.20 | 157.5 |
| 10309080 | RX-511-01-P58-L7T | 10309324 | RX-511-02-P58-L7T | 10309815 | RX-511-03-P58-L7T | 10309210 | RX-511-04-P58-L7T | 5/8-11 | ZN | 6bl | 7.69 | 195.3 |
| 10309069 | RX-511-01-S58-L7T | 10309031 | RX-511-02-S58-L7T | 10309829 | RX-511-03-S58-L7T | 10309430 | RX-511-04-S58-L7T | 5/8-11 | SS | 6bl | 7.69 | 195.3 |
| 10308990 | RX-511-01-P34-L5T | 10309204 | RX-511-02-P34-L5T | 10309742 | RX-511-03-P34-L5T | 10309579 | RX-511-04-P34-L5T | 3/4-10 | ZN | 6bl | 6.20 | 157.5 |
| 10309126 | RX-511-01-S34-L5T | 10309606 | RX-511-02-S34-L5T | 10309378 | RX-511-03-S34-L5T | 10309863 | RX-511-04-S34-L5T | 3/4-10 | SS | 6bl | 6.20 | 157.5 |
| 10309068 | RX-511-01-P34-L7T | 10309423 | RX-511-02-P34-L7T | 10309279 | RX-511-03-P34-L7T | 10309471 | RX-511-04-P34-L7T | 3/4-10 | ZN | 6bl | 7.69 | 195.3 |
| 10309685 | RX-511-01-S34-L7T | 10309284 | RX-511-02-S34-L7T | 10309573 | RX-511-03-S34-L7T | 10309630 | RX-511-04-S34-L7T | 3/4-10 | SS | 6bl | 7.69 | 195.3 |
| 10309624 | RX-511-01-P34-L10T | 10309804 | RX-511-02-P34-L10T | 10309800 | RX-511-03-S34-L10T | 10309711 | RX-511-04-P34-L10T | 3/4-10 | ZN | 6bl | 10.69 | 271.5 |
| 10309543 | RX-511-01-S34-L10T | 10309724 | RX-511-02-S34-L10T | – | – | 10308999 | RX-511-04-S34-L10T | 3/4-10 | SS | 6bl | 10.69 | 271.5 |
| 10309848 | RX-511-01-SM20-L10T | 10309553 | RX-511-02-SM20-L10T | 10309807 | RX-511-03-SM20-L10T | 10309537 | RX-511-04-SM20-L10T | M20 | SS | 6bl | 10.69 | 271.5 |

- Material: Footplate in reinforced polyamide (PA)
- Usage: Conveyor and machinery support where resistance to spindle pull out is required
- Anti-slip pad also available – RX-512
- Maximum Static Load: 2600 lbs

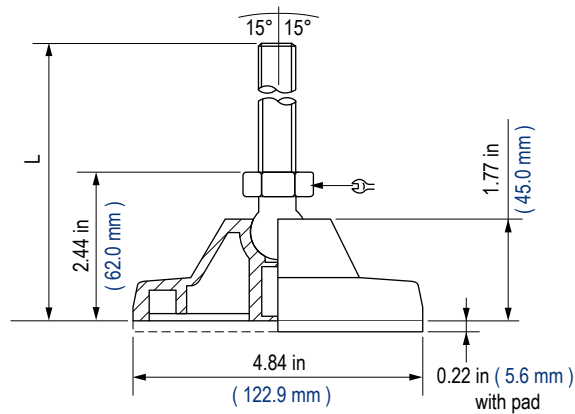
Articulating Leveler – 511H-T



| Without Lag Holes | | With Two Lag Holes | | With One Lag Hole | | With Skinned Lag Holes | | Thread Size | Spindle Material | Spindle Type | Height - L | |
|-------------------|-----------------------|--------------------|-----------------------|-------------------|-----------------------|------------------------|-----------------------|-------------|------------------|--------------|------------|-------|
| Part Number | Reference Description | Part Number | Reference Description | Part Number | Reference Description | Part Number | Reference Description | | | | in | mm |
| – | – | – | – | 10309520 | RX-511H-03-P34-L10T | – | – | 3/4-10 | ZN | 6bl | 9.95 | 252.7 |
| 10309259 | RX-511H-01-P100-L7T | 10309300 | RX-511H-02-P100-L7T | 10309576 | RX-511H-03-P100-L7T | 10309808 | RX-511H-04-P100-L7T | 1-8 | ZN | 6bl | 7.69 | 195.3 |
| 10309072 | RX-511H-01-S100-L7T | 10309388 | RX-511H-02-S100-L7T | 10309090 | RX-511H-03-S100-L7T | 10309236 | RX-511H-04-S100-L7T | 1-8 | SS | 6bl | 7.69 | 195.3 |
| 10309625 | RX-511H-01-P100-L10T | 10309358 | RX-511H-02-P100-L10T | 10309381 | RX-511H-03-P100-L10T | – | – | 1-8 | ZN | 6bl | 9.95 | 252.7 |
| 10309494 | RX-511H-01-S100-L10T | 10309766 | RX-511H-02-S100-L10T | 10309703 | RX-511H-03-S100-L10T | 10309801 | RX-511H-04-S100-L10T | 1-8 | SS | 6bl | 9.95 | 252.7 |

- Material: Footplate in reinforced polyamide (PA)
- Usage: Conveyor and machinery support
- Anti-slip pad also available – RX-512
- Maximum Static Load: 2600 lbs

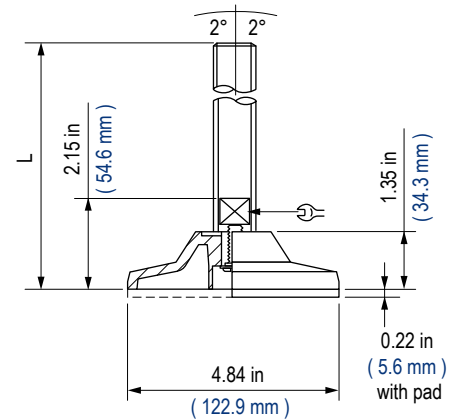
Articulating Leveler – 513H



| Without Lag Holes | | Thread Size | Spindle Material | Spindle Type | Height - L | |
|-------------------|-----------------------|-------------|------------------|--------------|------------|-------|
| Part Number | Reference Description | | | | in | mm |
| 10309681 | RX-513H-01-P34-L5 | 3/4-10 | ZN | 6a | 7.03 | 178.6 |
| 10309507 | RX-513H-01-S34-L5 | 3/4-10 | SS | 6a | 7.03 | 178.6 |
| 10309353 | RX-513H-01-P34-L7 | 3/4-10 | ZN | 6a | 8.55 | 217.2 |
| 10309344 | RX-513H-01-S34-L7 | 3/4-10 | SS | 6a | 8.55 | 217.2 |
| 10309626 | RX-513H-01-P34-L10 | 3/4-10 | ZN | 6a | 10.83 | 275.1 |
| 10309401 | RX-513H-01-S34-L10 | 3/4-10 | SS | 6a | 10.83 | 275.1 |
| 10309253 | RX-513H-01-P100-L7 | 1-8 | ZN | 6a | 8.55 | 217.2 |
| 10309821 | RX-513H-01-S100-L7 | 1-8 | SS | 6a | 8.55 | 217.2 |
| 10309475 | RX-513H-01-P100-L10 | 1-8 | ZN | 6a | 10.83 | 275.1 |
| 10309183 | RX-513H-01-S100-L10 | 1-8 | SS | 6a | 10.83 | 275.1 |
| 10309518 | RX-513H-01-SM20-L10 | M20 | SS | 6a | 10.83 | 275.1 |

- Material: Footplate in reinforced polyamide (PA)
- Usage: Conveyor and machinery support
- Maximum Static Load: 4400 lbs

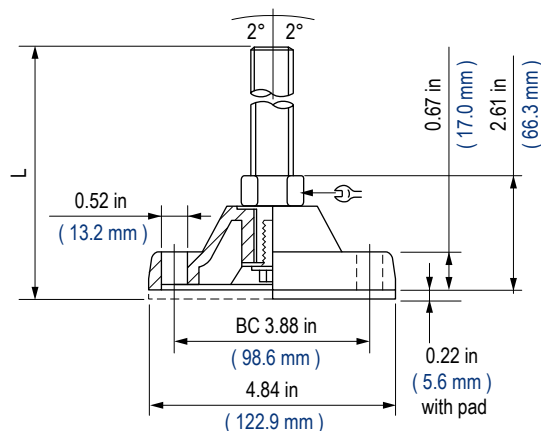
Articulating Leveler – 517-K



| Without Lag Holes | | Thread Size | Spindle Material | Spindle Type | Height - L | |
|-------------------|-----------------------|-------------|------------------|--------------|------------|-------|
| Part Number | Reference Description | | | | in | mm |
| 10309346 | RX-517-01-P34-L7K | 3/4-10 | ZN | 22 | 7.50 | 190.5 |
| 10309425 | RX-517-01-S34-L7K | 3/4-10 | SS | 22 | 7.50 | 190.5 |
| 10309613 | RX-517-01-P100-L7K | 1-8 | ZN | 22 | 7.48 | 190.0 |
| 10309014 | RX-517-01-S100-L7K | 1-8 | SS | 22 | 7.48 | 190.0 |
| 10309281 | RX-517-01-P113-L7K | 1-1/8-7 | ZN | 22 | 7.48 | 190.0 |
| 10309269 | RX-517-01-S113-L7K | 1-1/8-7 | SS | 22 | 7.48 | 190.0 |
| 10309359 | RX-517-01-P125-L7K | 1-1/4-7 | ZN | 22 | 7.48 | 190.0 |
| 10309370 | RX-517-01-S125-L7K | 1-1/4-7 | SS | 22 | 7.48 | 190.0 |

- Material: Footplate in reinforced polyamide (PA)
- Usage: Machinery support
- Maximum Static Load: 7000 lbs

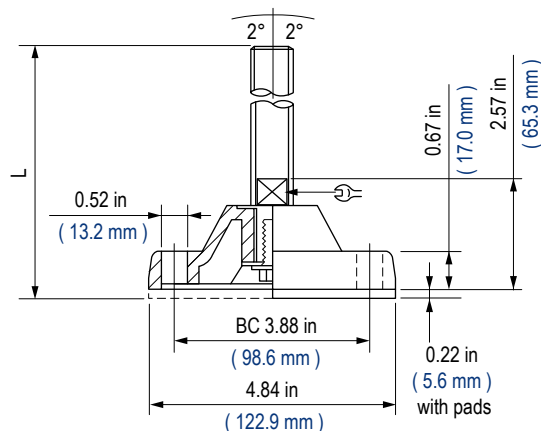
Articulating Leveler – 520



- Material: Footplate in reinforced polyamide (PA)
- Usage: Conveyor and machinery support
- Maximum Static Load: 7000 lbs

| With Two Lag Holes | | Thread Size | Spindle Material | Spindle Type | Height - L | |
|--------------------|-----------------------|-------------|------------------|--------------|------------|-------|
| Part Number | Reference Description | | | | in | mm |
| 10309267 | RX-520-02-P34-L5 | 3/4-10 | ZN | 22s | 5.97 | 151.6 |
| 10309086 | RX-520-02-S34-L5 | 3/4-10 | SS | 22s | 5.97 | 151.6 |
| 10308993 | RX-520-02-S34-L7 | 3/4-10 | SS | 22s | 7.48 | 190.0 |
| 10309627 | RX-520-02-P34-L10 | 3/4-10 | ZN | 22s | 10.07 | 255.8 |
| 10309617 | RX-520-02-S34-L10 | 3/4-10 | SS | 22s | 10.07 | 255.8 |
| 10309111 | RX-520-02-P100-L7 | 1-8 | ZN | 22s | 7.48 | 190.0 |
| 10309220 | RX-520-02-S100-L7 | 1-8 | SS | 22s | 7.48 | 190.0 |
| 10309446 | RX-520-02-P100-L10 | 1-8 | ZN | 22s | 10.07 | 255.8 |
| 10309217 | RX-520-02-S100-L10 | 1-8 | SS | 22s | 10.07 | 255.8 |

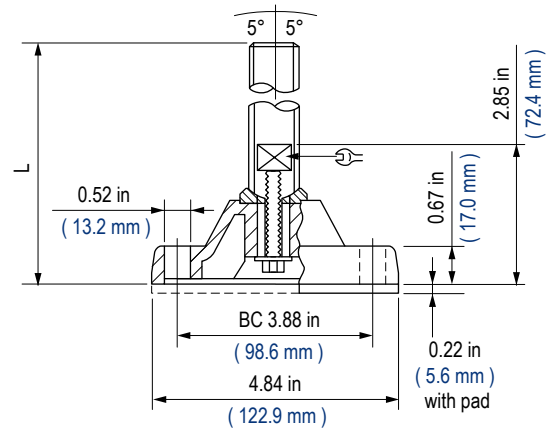
Articulating Leveler – 520-K



- Material: Footplate in reinforced polyamide (PA)
- Usage: Conveyor and machinery support
- Maximum Static Load: 7000 lbs

| With Two Lag Holes | | Thread Size | Spindle Material | Spindle Type | Height - L | |
|--------------------|-----------------------|-------------|------------------|--------------|------------|-------|
| Part Number | Reference Description | | | | in | mm |
| 10309879 | RX-520-02-P34-L7K | 3/4-10 | ZN | 21s | 7.50 | 190.5 |
| 10308985 | RX-520-02-P113-L7K | 1-1/8-7 | ZN | 21s | 7.50 | 190.5 |
| 10309089 | RX-520-02-S113-L7K | 1-1/8-7 | SS | 21s | 7.50 | 190.5 |
| 10309218 | RX-520-02-P125-L7K | 1-1/4-7 | ZN | 21s | 7.50 | 190.5 |
| 10309028 | RX-520-02-S125-L7K | 1-1/4-7 | SS | 21s | 7.50 | 190.5 |
| 10309408 | RX-520-02-P125-L10K | 1-1/4-7 | ZN | 21s | 9.95 | 252.7 |

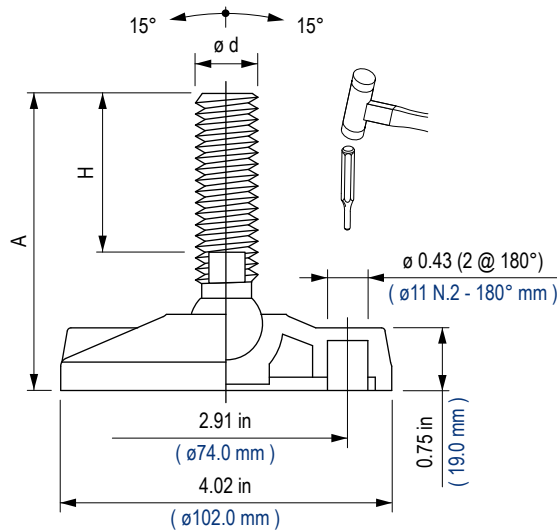
Articulating Leveler – 520-T



| With Two Lag Holes | | Thread Size | Spindle Material | Spindle Type | Height - L | |
|--------------------|-----------------------|-------------|------------------|--------------|------------|-------|
| Part Number | Reference Description | | | | in | mm |
| 10309435 | RX-520-02-S100-L12T | 1-8 | SS | 11 | 11.95 | 303.5 |
| 10309526 | RX-520-02-P113-L10T | 1-1/8-7 | ZN | 11 | 9.95 | 252.7 |
| 10309791 | RX-520-02-S113-L10T | 1-1/8-7 | SS | 11 | 9.95 | 252.7 |
| 10309765 | RX-520-02-P113-L12T | 1-1/8-7 | ZN | 11 | 11.95 | 303.5 |
| 10309088 | RX-520-02-S113-L12T | 1-1/8-7 | SS | 11 | 11.95 | 303.5 |
| 10309152 | RX-520-02-S125-L10T | 1-1/4-7 | SS | 11 | 9.95 | 252.7 |
| 10308979 | RX-520-02-P125-L10T | 1-1/4-7 | ZN | 11 | 9.95 | 252.7 |
| 10309029 | RX-520-02-S125-L12T | 1-1/4-7 | SS | 11 | 11.95 | 303.5 |

- Material: Footplate in reinforced polyamide (PA)
- Usage: Conveyor and machinery support where resistance to spindle pull out is required
- Maximum Static Load: 7000 lbs

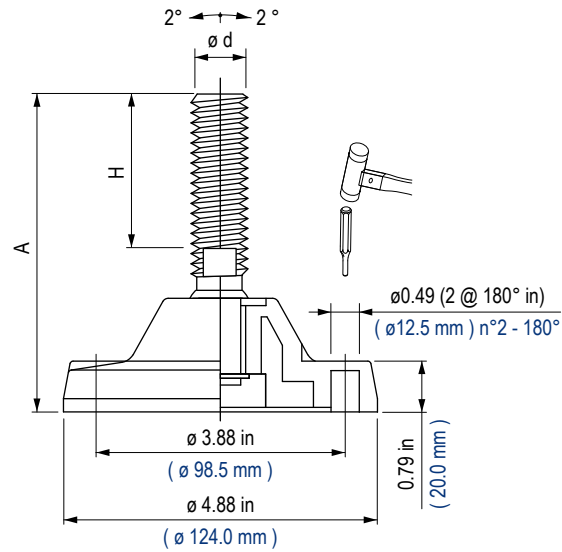
Articulating Leveler – 133



| Without Lag Holes | | Thread Size | Spindle Material | Spindle Type | Height - A | | With Skinned Holes | |
|-------------------|-----------------------|-------------|------------------|--------------|------------|-------|--------------------|-----------------------|
| Part Number | Reference Description | | | | in | mm | Part Number | Reference Description |
| 10082404 | 133-636882 | 3/4-10 | SS | 6b | 7.68 | 195.1 | 10082404 | 133-636882 |
| 10082409 | 133-67982 | 3/4-10 | SS | 6 | 7.72 | 196.1 | 10082409 | 133-67982 |
| 10082405 | 133-64795 | 3/4-10 | SS | 6 | 10.72 | 272.3 | 10082405 | 133-64795 |

- Material: Footplate in reinforced polyamide (PA)
- Usage: Conveyor and machinery support
- Anti-slip pad also available – 10030102
- Maximum Static Load: 2700 lbs

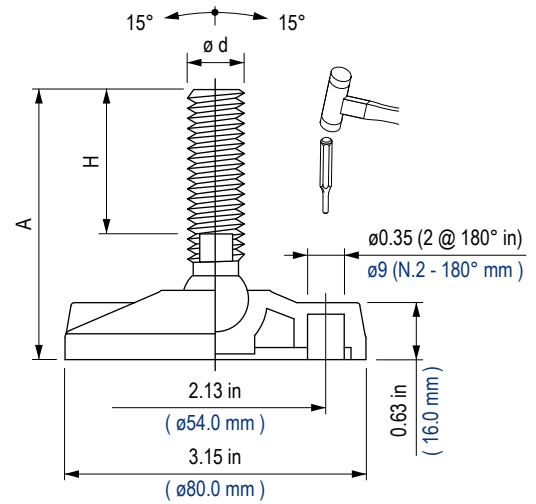
Articulating Leveler – 169



| With Skinned Holes | | Thread Size | Spindle Material | Spindle Type | Height - A | |
|--------------------|-----------------------|-------------|------------------|--------------|------------|-------|
| Part Number | Reference Description | | | | in | mm |
| 10082636 | 169-651741 | 1-8 | SS | 21 | 7.6 | 193.0 |

- Material: Footplate in reinforced polyamide (PA)
- Usage: Conveyor and machinery support
- Maximum Static Load: 10,000 lbs

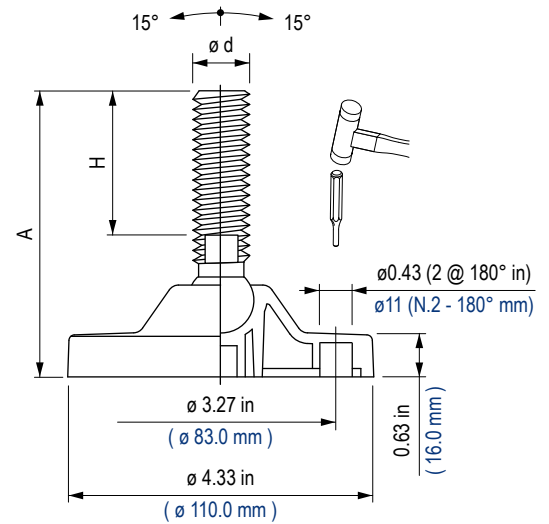
Articulating Leveler – 323



| With Skinned Holes | | Thread Size | Spindle Material | Spindle Type | Height - A | |
|--------------------|-----------------------|-------------|------------------|--------------|------------|-------|
| Part Number | Reference Description | | | | in | mm |
| 10099287 | 323-650161 | 3/4-10 | ZN | 1a | 6.89 | 175.0 |

- Material: Footplate in reinforced polyamide (PA)
- Usage: Conveyor and machinery support
- Uses 10030101 anti-slip pad
- Maximum Static Load: 2000 lbs

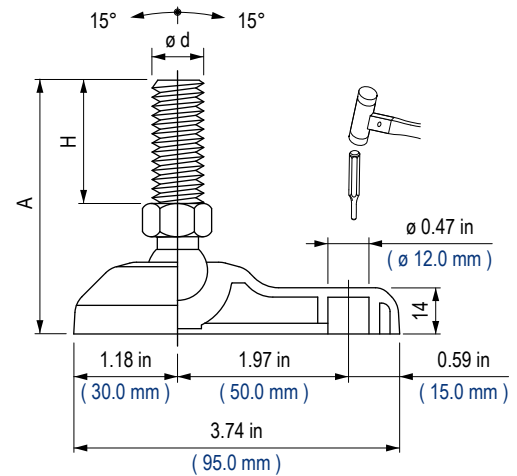
Articulating Leveler – 479



| Without Lag Holes | | Thread Size | Spindle Material | Spindle Type | Height - A | |
|-------------------|-----------------------|-------------|------------------|--------------|------------|-------|
| Part Number | Reference Description | | | | in | mm |
| 10106007 | 479-653131 | 5/8-11 | SS | 6 | 8.18 | 207.8 |
| 10106008 | 479-653691 | 3/4-10 | SS | 6 | 11.19 | 284.2 |

- Material: Footplate in reinforced polyamide (PA)
- Usage: Conveyor and machinery support
- Anti-slip pad also available – 10030147
- Maximum Static Load: 4500 lbs

Articulating Leveler – 94



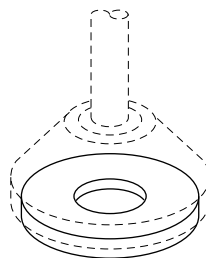
| Without Lag Holes | | Thread Size | Spindle Material | Spindle Type | Height - A | |
|-------------------|-----------------------|-------------|------------------|--------------|------------|-------|
| Part Number | Reference Description | | | | in | mm |
| 10148344 | 94-655121 | 1/2-13 | SS | 6b | 10.70 | 271.8 |

- Material: Footplate in reinforced polyamide (PA)
- Usage: Conveyor and machinery support
- Anti-slip pad also available – 10030148
- Maximum Static Load: 4500 lbs

Anti-Slip Pads



| Part Number | Reference Description | For Use With |
|-------------|-----------------------|---------------|
| 10309615 | RX-538 | RX-537 Series |
| 10309877 | RX-506 | RX-505 Series |
| 10309050 | RX-512 | RX-511 Series |
| 10030102 | 0-630052 | 133 Series |
| 10030103 | 0-662901 | 169 Series |
| 10030101 | 0-630042 | 323 Series |
| 10318455 | 0-662911 | 479 Series |
| 10352584 | 0-696171 | 94 Series |



| | | | | | | | |
|------------------|-----|--------------------|----|--------------------|----|--------------------|----|
| 0-607863..... | 24 | 612-611283..... | 90 | 754-607673-8..... | 23 | 756-607733-1..... | 20 |
| 0-630042..... | 110 | 612-655072..... | 90 | 754-607673-9..... | 23 | 756-607733-2..... | 20 |
| 0-630052..... | 110 | 612-655092..... | 90 | 754-607673-10..... | 23 | 756-607733-3..... | 20 |
| 0-640463..... | 24 | 612-655102..... | 90 | 754-607673-11..... | 23 | 756-607733-4..... | 20 |
| 0-656061..... | 95 | 612-655112..... | 90 | 754-607673-12..... | 23 | 756-607733-5..... | 20 |
| 0-662901..... | 110 | 612-655132..... | 90 | 754-607673-13..... | 23 | 756-607733-6..... | 20 |
| 0-662911..... | 110 | 612-686232..... | 90 | 754-607673-14..... | 23 | 756-607733-7..... | 20 |
| 0-696171..... | 110 | 612-692942..... | 90 | 754-607673-15..... | 23 | 756-607733-8..... | 20 |
| 94-655121..... | 109 | 612-692972..... | 90 | 754-607673-16..... | 23 | 756-607733-9..... | 20 |
| 114-398-1..... | 50 | 613-615352..... | 68 | 754-607673-17..... | 23 | 756-607733-10..... | 20 |
| 114-399-1..... | 47 | 613-632472..... | 68 | 754-607673-18..... | 23 | 756-607733-11..... | 20 |
| 114-671-1..... | 48 | 613-635142..... | 68 | 754-607673-19..... | 23 | 756-607733-12..... | 20 |
| 114-672-1..... | 49 | 614-615392..... | 68 | 754-607673-20..... | 23 | 756-607733-13..... | 20 |
| 114-673-1..... | 48 | 614-632482..... | 68 | 754-657011..... | 23 | 756-607733-14..... | 20 |
| 114-674-1..... | 49 | 614-635152..... | 68 | 754-657011-1..... | 23 | 756-607733-15..... | 20 |
| 133-64795..... | 107 | 618-624312..... | 75 | 754-657011-2..... | 23 | 756-607733-16..... | 20 |
| 133-67982..... | 107 | 655-673132N..... | 58 | 754-657011-3..... | 23 | 756-607733-17..... | 20 |
| 133-636882..... | 107 | 655-673142N..... | 58 | 754-657011-4..... | 23 | 756-607733-18..... | 20 |
| 169-651741..... | 108 | 657-656692..... | 69 | 754-657011-5..... | 23 | 756-607733-19..... | 20 |
| 182-54911..... | 84 | 657-656982..... | 69 | 754-657011-6..... | 23 | 756-607733-20..... | 20 |
| 224-59241..... | 98 | 657-657002..... | 69 | 754-657011-7..... | 23 | 756-607753..... | 22 |
| 302-60852..... | 87 | 672-687412..... | 92 | 754-657011-8..... | 23 | 756-607753-1..... | 22 |
| 302-60952..... | 87 | 672-687432..... | 92 | 754-657011-9..... | 23 | 756-607753-2..... | 22 |
| 303-60932..... | 86 | 672-699032..... | 92 | 754-657011-10..... | 23 | 756-607753-3..... | 22 |
| 323-650161..... | 108 | 732-692352N..... | 58 | 754-657011-11..... | 23 | 756-607753-4..... | 22 |
| 337-67023N..... | 96 | 732-692362N..... | 58 | 754-657011-12..... | 23 | 756-607753-5..... | 22 |
| 346-60204..... | 15 | 732-692372N..... | 58 | 754-657011-13..... | 23 | 756-607753-6..... | 22 |
| 367-655712M..... | 62 | 754-607653..... | 21 | 754-657011-14..... | 23 | 756-607753-7..... | 22 |
| 369-69995..... | 24 | 754-607653-1..... | 21 | 754-657011-15..... | 23 | 756-607753-8..... | 22 |
| 371-6156..... | 62 | 754-607653-2..... | 21 | 754-657011-16..... | 23 | 756-607753-9..... | 22 |
| 479-653131..... | 109 | 754-607653-3..... | 21 | 754-657011-17..... | 23 | 756-607753-10..... | 22 |
| 479-653691..... | 109 | 754-607653-4..... | 21 | 754-657011-18..... | 23 | 756-607753-11..... | 22 |
| 514-236-1..... | 61 | 754-607653-5..... | 21 | 754-657011-19..... | 23 | 756-607753-12..... | 22 |
| 518-642951N..... | 83 | 754-607653-6..... | 21 | 754-657011-20..... | 23 | 756-607753-13..... | 22 |
| 537-689231..... | 19 | 754-607653-7..... | 21 | 754-657021..... | 21 | 756-607753-14..... | 22 |
| 557-695991N..... | 17 | 754-607653-8..... | 21 | 754-657021-1..... | 21 | 756-607753-15..... | 22 |
| 563-669512..... | 74 | 754-607653-9..... | 21 | 754-657021-2..... | 21 | 756-607753-16..... | 22 |
| 567-687382..... | 92 | 754-607653-10..... | 21 | 754-657021-3..... | 21 | 756-607753-17..... | 22 |
| 567-688792..... | 92 | 754-607653-11..... | 21 | 754-657021-4..... | 21 | 756-607753-18..... | 22 |
| 567-688812..... | 92 | 754-607653-12..... | 21 | 754-657021-5..... | 21 | 756-607753-19..... | 22 |
| 567-688822..... | 92 | 754-607653-13..... | 21 | 754-657021-6..... | 21 | 756-607753-20..... | 22 |
| 567-699002..... | 92 | 754-607653-14..... | 21 | 754-657021-7..... | 21 | 756-657031..... | 22 |
| 568-603402..... | 91 | 754-607653-15..... | 21 | 754-657021-8..... | 21 | 756-657031-1..... | 22 |
| 568-605912..... | 91 | 754-607653-16..... | 21 | 754-657021-9..... | 21 | 756-657031-2..... | 22 |
| 568-687402..... | 91 | 754-607653-17..... | 21 | 754-657021-10..... | 21 | 756-657031-3..... | 22 |
| 568-699022..... | 91 | 754-607653-18..... | 21 | 754-657021-11..... | 21 | 756-657031-4..... | 22 |
| 569-603412..... | 91 | 754-607653-19..... | 21 | 754-657021-12..... | 21 | 756-657031-5..... | 22 |
| 569-605922..... | 91 | 754-607653-20..... | 21 | 754-657021-13..... | 21 | 756-657031-6..... | 22 |
| 569-687392..... | 91 | 754-607673..... | 23 | 754-657021-14..... | 21 | 756-657031-7..... | 22 |
| 569-699012..... | 91 | 754-607673-1..... | 23 | 754-657021-15..... | 21 | 756-657031-8..... | 22 |
| 570-601162N..... | 18 | 754-607673-2..... | 23 | 754-657021-16..... | 21 | 756-657031-9..... | 22 |
| 580-603302..... | 18 | 754-607673-3..... | 23 | 754-657021-17..... | 21 | 756-657031-10..... | 22 |
| 580-611772..... | 18 | 754-607673-4..... | 23 | 754-657021-18..... | 21 | 756-657031-11..... | 22 |
| 581-603312..... | 19 | 754-607673-5..... | 23 | 754-657021-19..... | 21 | 756-657031-12..... | 22 |
| 612-605043..... | 90 | 754-607673-6..... | 23 | 754-657021-20..... | 21 | 756-657031-13..... | 22 |
| 612-608463..... | 90 | 754-607673-7..... | 23 | 756-607733..... | 20 | 756-657031-14..... | 22 |

| | | | | | | | |
|--------------------|----|-----------------------|----|----------------------|----|----------------------|----|
| 756-657031-15..... | 22 | RX-013-01..... | 34 | RX-200-225-12-B..... | 57 | RX-205-C-14-S..... | 54 |
| 756-657031-16..... | 22 | RX-013-03..... | 34 | RX-200-225-58-B..... | 57 | RX-205-C-18-P..... | 54 |
| 756-657031-17..... | 22 | RX-013-04..... | 34 | RX-201-S115..... | 56 | RX-205-C-18-S..... | 54 |
| 756-657031-18..... | 22 | RX-013-06..... | 34 | RX-202HS-12..... | 45 | RX-205-C-316-P..... | 54 |
| 756-657031-19..... | 22 | RX-016-01..... | 36 | RX-202HS-58..... | 45 | RX-205-C-316-S..... | 54 |
| 756-657031-20..... | 22 | RX-016-02..... | 36 | RX-203HS-12..... | 46 | RX-205-CC-14-P..... | 55 |
| 756-657041..... | 20 | RX-016-03..... | 36 | RX-203HS-58..... | 46 | RX-205-CC-14-S..... | 55 |
| 756-657041-1..... | 20 | RX-017..... | 36 | RX-203HTS-12..... | 44 | RX-205-CC-18-P..... | 55 |
| 756-657041-2..... | 20 | RX-018-01..... | 35 | RX-203HTS-58..... | 44 | RX-205-CC-18-S..... | 55 |
| 756-657041-3..... | 20 | RX-018-02..... | 35 | RX-203L..... | 42 | RX-205-CC-316-P..... | 55 |
| 756-657041-4..... | 20 | RX-018-03..... | 35 | RX-203LHS-12..... | 43 | RX-205-CC-316-S..... | 55 |
| 756-657041-5..... | 20 | RX-018-04..... | 35 | RX-203LHS-58..... | 43 | RX-205-D-14-P..... | 54 |
| 756-657041-6..... | 20 | RX-018M-02..... | 35 | RX-203LTC-12..... | 43 | RX-205-D-14-S..... | 54 |
| 756-657041-7..... | 20 | RX-018M-04..... | 35 | RX-203LTC-58..... | 43 | RX-205-D-18-P..... | 54 |
| 756-657041-8..... | 20 | RX-019-12..... | 37 | RX-203TC-12..... | 46 | RX-205-D-18-S..... | 54 |
| 756-657041-9..... | 20 | RX-020-01..... | 33 | RX-203TC-58..... | 46 | RX-205-D-316-P..... | 54 |
| 756-657041-10..... | 20 | RX-020J-R3..... | 33 | RX-204-B14-S..... | 56 | RX-205-D-316-S..... | 54 |
| 756-657041-11..... | 20 | RX-020J-R4..... | 33 | RX-204F-45-316S..... | 57 | RX-205-DB-14-P..... | 55 |
| 756-657041-12..... | 20 | RX-020J-R5..... | 33 | RX-204F-75-316S..... | 57 | RX-205-DB-14-S..... | 55 |
| 756-657041-13..... | 20 | RX-020J-R6..... | 33 | RX-205-A-14-P..... | 53 | RX-205-DB-18-P..... | 55 |
| 756-657041-14..... | 20 | RX-020J-R7..... | 33 | RX-205-A-14-S..... | 53 | RX-205-DB-18-S..... | 55 |
| 756-657041-15..... | 20 | RX-020J-R8..... | 33 | RX-205-A-18-P..... | 53 | RX-205-DB-316-P..... | 55 |
| 756-657041-16..... | 20 | RX-020J-R9..... | 33 | RX-205-A-18-S..... | 53 | RX-205-DB-316-S..... | 55 |
| 756-657041-17..... | 20 | RX-020J-R10..... | 33 | RX-205-A-316-P..... | 53 | RX-205-DC-14-P..... | 55 |
| 756-657041-18..... | 20 | RX-020-R3..... | 32 | RX-205-A-316-S..... | 53 | RX-205-DC-14-S..... | 55 |
| 756-657041-19..... | 20 | RX-020-R4..... | 32 | RX-205-AB-14-P..... | 55 | RX-205-DC-18-P..... | 55 |
| 756-657041-20..... | 20 | RX-020-R5..... | 32 | RX-205-AB-14-S..... | 55 | RX-205-DC-18-S..... | 55 |
| 763-610633..... | 47 | RX-020-R6..... | 32 | RX-205-AB-18-P..... | 55 | RX-205-DC-316-P..... | 55 |
| 769-609163N..... | 12 | RX-020-R7..... | 32 | RX-205-AB-18-S..... | 55 | RX-205-DC-316-S..... | 55 |
| 852-646633..... | 24 | RX-020-R8..... | 32 | RX-205-AB-316-P..... | 55 | RX-210-12..... | 45 |
| 854-646643..... | 25 | RX-020-R9..... | 32 | RX-205-AB-316-S..... | 55 | RX-210-58..... | 45 |
| 902-652041..... | 34 | RX-020-R10..... | 32 | RX-205-AC-14-P..... | 55 | RX-212-3-38..... | 38 |
| 902-656041..... | 34 | RX-020-R12..... | 32 | RX-205-AC-14-S..... | 55 | RX-212-3-38-LN..... | 38 |
| 903-654101..... | 35 | RX-020-R15..... | 32 | RX-205-AC-18-P..... | 55 | RX-212-3-516..... | 38 |
| 903-654111..... | 35 | RX-021-02..... | 32 | RX-205-AC-18-S..... | 55 | RX-212-3-516-LN..... | 38 |
| 903-654121..... | 35 | RX-022-01..... | 31 | RX-205-AC-316-P..... | 55 | RX-212-4-38..... | 38 |
| 903-654741..... | 35 | RX-031-12-50..... | 31 | RX-205-AC-316-S..... | 55 | RX-212-4-38-LN..... | 38 |
| 903-656001..... | 35 | RX-031-12-50-LN..... | 31 | RX-205-B-14-P..... | 53 | RX-212-4-516..... | 38 |
| 905-655711..... | 94 | RX-031-12-70..... | 31 | RX-205-B-14-S..... | 53 | RX-212-4-516-LN..... | 38 |
| 905-655721..... | 94 | RX-031-12-70-LN..... | 31 | RX-205-B-18-P..... | 53 | RX-212-5-38..... | 38 |
| 905-655731..... | 94 | RX-031-12-110..... | 31 | RX-205-B-18-S..... | 53 | RX-212-5-38-LN..... | 38 |
| 905-656231..... | 93 | RX-031-12-110-LN..... | 31 | RX-205-B-316-P..... | 53 | RX-212-5-516..... | 38 |
| 905-656241..... | 93 | RX-032-12-50..... | 37 | RX-205-B-316-S..... | 53 | RX-212-6-14..... | 38 |
| 905-656421..... | 93 | RX-032-12-50-LN..... | 37 | RX-205-BB-14-P..... | 55 | RX-212-6-14-LN..... | 38 |
| 906-656721..... | 69 | RX-032-12-70..... | 37 | RX-205-BB-14-S..... | 55 | RX-212-6-38..... | 38 |
| 906-656731..... | 69 | RX-032-12-70-LN..... | 37 | RX-205-BB-18-P..... | 55 | RX-212-6-38-LN..... | 38 |
| 906-656881..... | 70 | RX-032-12-110..... | 37 | RX-205-BB-18-S..... | 55 | RX-212-6-516..... | 38 |
| 906-656891..... | 70 | RX-032-12-110-LN..... | 37 | RX-205-BB-316-P..... | 55 | RX-212-6-516-LN..... | 38 |
| 10193110..... | 93 | RX-040-01..... | 25 | RX-205-BB-316-S..... | 55 | RX-212-7-14..... | 38 |
| RX-011-01..... | 29 | RX-118-03..... | 34 | RX-205-BC-14-P..... | 55 | RX-212-7-14-LN..... | 38 |
| RX-011-03..... | 29 | RX-118-04K..... | 35 | RX-205-BC-14-S..... | 55 | RX-212-7-38..... | 38 |
| RX-011-04..... | 29 | RX-118M-04..... | 34 | RX-205-BC-18-P..... | 55 | RX-212-7-38-LN..... | 38 |
| RX-011-SH..... | 30 | RX-200-4R..... | 56 | RX-205-BC-18-S..... | 55 | RX-212-7-516..... | 38 |
| RX-011-WD..... | 30 | RX-200-4Y..... | 56 | RX-205-BC-316-P..... | 55 | RX-212-7-516-LN..... | 38 |
| RX-012-01..... | 29 | RX-200-5R..... | 56 | RX-205-BC-316-S..... | 55 | RX-212-8-38..... | 38 |
| RX-012-SH..... | 29 | RX-200-5Y..... | 56 | RX-205-C-14-P..... | 54 | RX-212-8-38-LN..... | 38 |

| | | | | | | | |
|-----------------------|----|-----------------------|-----|--------------------------|-----|--------------------------|-----|
| RX-212-8-516..... | 38 | RX-232-10-38-LN..... | 39 | RX-505-01-P58-L5..... | 100 | RX-511-02-P58-L3..... | 101 |
| RX-212-8-516-LN..... | 38 | RX-232-10-516..... | 39 | RX-505-01-S12-L3..... | 100 | RX-511-02-P58-L5..... | 101 |
| RX-212-10-14..... | 38 | RX-232-10-516-LN..... | 39 | RX-505-01-S12-L5..... | 100 | RX-511-02-P58-L5T..... | 103 |
| RX-212-10-14-LN..... | 38 | RX-232-12-38..... | 39 | RX-505-01-S38-L3..... | 100 | RX-511-02-P58-L7..... | 101 |
| RX-212-10-38..... | 38 | RX-232-12-38-LN..... | 39 | RX-505-01-S58-L3..... | 100 | RX-511-02-P58-L7T..... | 103 |
| RX-212-10-38-LN..... | 38 | RX-232-12-516..... | 39 | RX-505-01-S58-L5..... | 100 | RX-511-02-S12-L3..... | 101 |
| RX-212-10-516..... | 38 | RX-232-12-516-LN..... | 39 | RX-505-02-P12-L3..... | 100 | RX-511-02-S12-L5..... | 101 |
| RX-212-10-516-LN..... | 38 | RX-232-15-38..... | 39 | RX-505-02-P12-L5..... | 100 | RX-511-02-S12-L5T..... | 103 |
| RX-212-12-38..... | 38 | RX-232-15-38-LN..... | 39 | RX-505-02-P38-L3..... | 100 | RX-511-02-S34-L5..... | 101 |
| RX-212-12-38-LN..... | 38 | RX-232-15-516..... | 39 | RX-505-02-P58-L3..... | 100 | RX-511-02-S34-L5T..... | 103 |
| RX-212-12-516..... | 38 | RX-232-15-516-LN..... | 39 | RX-505-02-P58-L5..... | 100 | RX-511-02-S34-L7..... | 101 |
| RX-212-12-516-LN..... | 38 | RX-232-18-38..... | 39 | RX-505-02-S12-L3..... | 100 | RX-511-02-S34-L7T..... | 103 |
| RX-212-15-38..... | 38 | RX-232-18-38-LN..... | 39 | RX-505-02-S12-L5..... | 100 | RX-511-02-S34-L10..... | 101 |
| RX-212-15-38-LN..... | 38 | RX-232-18-516..... | 39 | RX-505-02-S38-L3..... | 100 | RX-511-02-S34-L10T..... | 103 |
| RX-212-15-516..... | 38 | RX-232-18-516-LN..... | 39 | RX-505-02-S58-L3..... | 100 | RX-511-02-S58-L3..... | 101 |
| RX-212-15-516-LN..... | 38 | RX-232-24-38..... | 39 | RX-505-02-S58-L5..... | 100 | RX-511-02-S58-L5..... | 101 |
| RX-212-18-38..... | 38 | RX-232-24-38-LN..... | 39 | RX-506..... | 110 | RX-511-02-S58-L5T..... | 103 |
| RX-212-18-38-LN..... | 38 | RX-232-24-516..... | 39 | RX-511-01-P12-L3..... | 101 | RX-511-02-S58-L7..... | 101 |
| RX-212-18-516..... | 38 | RX-232-24-516-LN..... | 39 | RX-511-01-P12-L5..... | 101 | RX-511-02-S58-L7T..... | 103 |
| RX-212-18-516-LN..... | 38 | RX-232J-4-38..... | 40 | RX-511-01-P12-L5T..... | 103 | RX-511-02-SM20-L10..... | 101 |
| RX-212-24-38..... | 38 | RX-232J-4-516..... | 40 | RX-511-01-P34-L5..... | 101 | RX-511-02-SM20-L10T..... | 103 |
| RX-212-24-38-LN..... | 38 | RX-232J-6-38..... | 40 | RX-511-01-P34-L5T..... | 103 | RX-511-03-P12-L3..... | 101 |
| RX-212-24-516..... | 38 | RX-232J-6-516..... | 40 | RX-511-01-P34-L7..... | 101 | RX-511-03-P12-L5..... | 101 |
| RX-212-24-516-LN..... | 38 | RX-232J-8-38..... | 40 | RX-511-01-P34-L7T..... | 103 | RX-511-03-P12-L5T..... | 103 |
| RX-212J-3-38..... | 40 | RX-232J-8-516..... | 40 | RX-511-01-P34-L10..... | 101 | RX-511-03-P34-L5..... | 101 |
| RX-212J-3-516..... | 40 | RX-232J-10-38..... | 40 | RX-511-01-P34-L10T..... | 103 | RX-511-03-P34-L5T..... | 103 |
| RX-212J-5-38..... | 40 | RX-232J-10-516..... | 40 | RX-511-01-P58-L3..... | 101 | RX-511-03-P34-L7..... | 101 |
| RX-212J-5-516..... | 40 | RX-253B-S-12..... | 51 | RX-511-01-P58-L5..... | 101 | RX-511-03-P34-L7T..... | 103 |
| RX-212J-7-38..... | 40 | RX-253B-S-58..... | 51 | RX-511-01-P58-L5T..... | 103 | RX-511-03-P34-L10..... | 101 |
| RX-212J-7-516..... | 40 | RX-253K-S-12..... | 51 | RX-511-01-P58-L7..... | 101 | RX-511-03-P58-L3..... | 101 |
| RX-212J-9-38..... | 40 | RX-253K-S-58..... | 51 | RX-511-01-P58-L7T..... | 103 | RX-511-03-P58-L5..... | 101 |
| RX-212J-9-516..... | 40 | RX-253N-S-12..... | 50 | RX-511-01-S12-L3..... | 101 | RX-511-03-P58-L5T..... | 103 |
| RX-212JQ-38..... | 40 | RX-253N-S-58..... | 50 | RX-511-01-S12-L5..... | 101 | RX-511-03-P58-L7..... | 101 |
| RX-212JQ-516..... | 40 | RX-280-38M..... | 84 | RX-511-01-S12-L5T..... | 103 | RX-511-03-P58-L7T..... | 103 |
| RX-215-06-12T..... | 41 | RX-280PP-M10F..... | 85 | RX-511-01-S34-L5..... | 101 | RX-511-03-S12-L3..... | 101 |
| RX-215-09-12T..... | 41 | RX-281-M10F..... | 84 | RX-511-01-S34-L5T..... | 103 | RX-511-03-S12-L5..... | 101 |
| RX-215-12-12T..... | 41 | RX-282-38M..... | 85 | RX-511-01-S34-L7..... | 101 | RX-511-03-S12-L5T..... | 103 |
| RX-221-12..... | 42 | RX-282-M10F..... | 85 | RX-511-01-S34-L7T..... | 103 | RX-511-03-S34-L5..... | 101 |
| RX-221-58..... | 42 | RX-291..... | 26 | RX-511-01-S34-L10..... | 101 | RX-511-03-S34-L5T..... | 103 |
| RX-223-12-01..... | 52 | RX-292..... | 26 | RX-511-01-S34-L10T..... | 103 | RX-511-03-S34-L7..... | 101 |
| RX-223-58-01..... | 52 | RX-293..... | 52 | RX-511-01-S58-L3..... | 101 | RX-511-03-S34-L7T..... | 103 |
| RX-223N-12-01..... | 52 | RX-305-1.50..... | 73 | RX-511-01-S58-L5..... | 101 | RX-511-03-S34-L10..... | 101 |
| RX-223N-58-01..... | 52 | RX-305-T2.0..... | 73 | RX-511-01-S58-L5T..... | 103 | RX-511-03-S34-L10T..... | 103 |
| RX-232-4-38..... | 39 | RX-307-1.50..... | 72 | RX-511-01-S58-L7..... | 101 | RX-511-03-S58-L3..... | 101 |
| RX-232-4-38-LN..... | 39 | RX-307-T2.0..... | 72 | RX-511-01-S58-L7T..... | 103 | RX-511-03-S58-L5..... | 101 |
| RX-232-4-516..... | 39 | RX-308-1.50..... | 72 | RX-511-01-SM20-L10..... | 101 | RX-511-03-S58-L5T..... | 103 |
| RX-232-4-516-LN..... | 39 | RX-308-T2.0..... | 72 | RX-511-01-SM20-L10T..... | 103 | RX-511-03-S58-L7..... | 101 |
| RX-232-6-38..... | 39 | RX-402-1.5-58..... | 75 | RX-511-02-P12-L3..... | 101 | RX-511-03-S58-L7T..... | 103 |
| RX-232-6-38-LN..... | 39 | RX-402-T2.0-58..... | 75 | RX-511-02-P12-L5..... | 101 | RX-511-03-SM20-L10..... | 101 |
| RX-232-6-516..... | 39 | RX-403-1.5-58..... | 75 | RX-511-02-P12-L5T..... | 103 | RX-511-03-SM20-L10T..... | 103 |
| RX-232-6-516-LN..... | 39 | RX-403-T2.0-58..... | 75 | RX-511-02-P34-L5..... | 101 | RX-511-04-P12-L3..... | 101 |
| RX-232-8-38..... | 39 | RX-410-1.5-58..... | 76 | RX-511-02-P34-L5T..... | 103 | RX-511-04-P12-L5..... | 101 |
| RX-232-8-38-LN..... | 39 | RX-505-01-P12-L3..... | 100 | RX-511-02-P34-L7..... | 101 | RX-511-04-P12-L5T..... | 103 |
| RX-232-8-516..... | 39 | RX-505-01-P12-L5..... | 100 | RX-511-02-P34-L7T..... | 103 | RX-511-04-P34-L5..... | 101 |
| RX-232-8-516-LN..... | 39 | RX-505-01-P38-L3..... | 100 | RX-511-02-P34-L10..... | 101 | RX-511-04-P34-L5T..... | 103 |
| RX-232-10-38..... | 39 | RX-505-01-P58-L3..... | 100 | RX-511-02-P34-L10T..... | 103 | RX-511-04-P34-L7..... | 101 |

| | | | | | | | |
|---------------------------|-----|--------------------------|-----|----------------------|----|------------------------|----|
| RX-511-04-P34-L7T..... | 103 | RX-512..... | 110 | RX-552-B34..... | 98 | RX-641-N-58..... | 27 |
| RX-511-04-P34-L10..... | 101 | RX-513H-01-P34-L5..... | 105 | RX-552-B38..... | 98 | RX-641T-K-12..... | 28 |
| RX-511-04-P34-L10T..... | 103 | RX-513H-01-P34-L7..... | 105 | RX-552-B58..... | 98 | RX-641T-K-58..... | 28 |
| RX-511-04-P58-L3..... | 101 | RX-513H-01-P34-L10..... | 105 | RX-552-BM16..... | 98 | RX-641T-N-12..... | 28 |
| RX-511-04-P58-L5..... | 101 | RX-513H-01-P100-L7..... | 105 | RX-552-BM20..... | 98 | RX-641T-N-58..... | 28 |
| RX-511-04-P58-L5T..... | 103 | RX-513H-01-P100-L10..... | 105 | RX-553-B12..... | 98 | RX-641T-R-12..... | 28 |
| RX-511-04-P58-L7..... | 101 | RX-513H-01-S34-L5..... | 105 | RX-553-B34..... | 98 | RX-641T-R-58..... | 28 |
| RX-511-04-P58-L7T..... | 103 | RX-513H-01-S34-L7..... | 105 | RX-553-B38..... | 98 | RX-750-10..... | 67 |
| RX-511-04-S12-L3..... | 101 | RX-513H-01-S34-L10..... | 105 | RX-553-B58..... | 98 | RX-13129V..... | 44 |
| RX-511-04-S12-L5..... | 101 | RX-513H-01-S100-L7..... | 105 | RX-553-BM16..... | 98 | RX-13130V..... | 44 |
| RX-511-04-S12-L5T..... | 103 | RX-513H-01-S100-L10..... | 105 | RX-553-BM20..... | 98 | RX-13182..... | 60 |
| RX-511-04-S34-L5..... | 101 | RX-513H-01-SM20-L10..... | 105 | RX-554-B12..... | 97 | RX-34200..... | 98 |
| RX-511-04-S34-L5T..... | 103 | RX-517-01-P34-L7K..... | 105 | RX-554-B34..... | 97 | RX-A600-10..... | 16 |
| RX-511-04-S34-L7..... | 101 | RX-517-01-P100-L7K..... | 105 | RX-554-B38..... | 97 | RX-A600-20..... | 16 |
| RX-511-04-S34-L7T..... | 103 | RX-517-01-P113-L7K..... | 105 | RX-554-B58..... | 97 | RX-A1878T-10..... | 17 |
| RX-511-04-S34-L10..... | 101 | RX-517-01-P125-L7K..... | 105 | RX-554-BM16..... | 97 | RX-A2520-20..... | 17 |
| RX-511-04-S34-L10T..... | 103 | RX-517-01-S34-L7K..... | 105 | RX-554-BM20..... | 97 | RX-CSI-538-100..... | 63 |
| RX-511-04-S58-L3..... | 101 | RX-517-01-S100-L7K..... | 105 | RX-556-B12..... | 98 | RX-J288-188-10..... | 65 |
| RX-511-04-S58-L5..... | 101 | RX-517-01-S113-L7K..... | 105 | RX-556-B34..... | 98 | RX-J300-125-10..... | 65 |
| RX-511-04-S58-L5T..... | 103 | RX-517-01-S125-L7K..... | 105 | RX-556-B38..... | 98 | RX-JEL-081-125-20..... | 65 |
| RX-511-04-S58-L7..... | 101 | RX-520-02-P34-L5..... | 106 | RX-556-B58..... | 98 | RX-JL-137-125-20..... | 65 |
| RX-511-04-S58-L7T..... | 103 | RX-520-02-P34-L7K..... | 106 | RX-556-BM16..... | 98 | RX-JS3-075-125-10..... | 65 |
| RX-511-04-SM20-L10..... | 101 | RX-520-02-P34-L10..... | 106 | RX-556-BM20..... | 98 | RX-NB-4..... | 77 |
| RX-511-04-SM20-L10T..... | 103 | RX-520-02-P100-L7..... | 106 | RX-560-1.5-11..... | 71 | RX-NB-4.5..... | 77 |
| RX-511H-01-P100-L7..... | 102 | RX-520-02-P100-L10..... | 106 | RX-560-1.5-16..... | 71 | RX-NB4.5-R220..... | 78 |
| RX-511H-01-P100-L7T..... | 104 | RX-520-02-P113-L7K..... | 106 | RX-560-2.0-11..... | 71 | RX-NB4.5-R221..... | 78 |
| RX-511H-01-P100-L10..... | 102 | RX-520-02-P113-L10T..... | 107 | RX-561-B34..... | 99 | RX-NB4.5-R270..... | 78 |
| RX-511H-01-P100-L10T..... | 104 | RX-520-02-P113-L12T..... | 107 | RX-561-B58..... | 99 | RX-NB4.5-R271..... | 78 |
| RX-511H-01-S100-L7..... | 102 | RX-520-02-P125-L7K..... | 106 | RX-561-BM16..... | 99 | RX-NB4.5-R320..... | 78 |
| RX-511H-01-S100-L7T..... | 104 | RX-520-02-P125-L10K..... | 106 | RX-561-BM20..... | 99 | RX-NB4-R220..... | 78 |
| RX-511H-01-S100-L10..... | 102 | RX-520-02-P125-L10T..... | 107 | RX-600-16-10..... | 98 | RX-NB4-R221..... | 78 |
| RX-511H-01-S100-L10T..... | 104 | RX-520-02-S34-L5..... | 106 | RX-612-35-12..... | 83 | RX-NB4-R270..... | 78 |
| RX-511H-02-P100-L7..... | 102 | RX-520-02-S34-L7..... | 106 | RX-612-35-18..... | 83 | RX-NB4-R271..... | 78 |
| RX-511H-02-P100-L7T..... | 104 | RX-520-02-S34-L10..... | 106 | RX-612-50-12..... | 83 | RX-NB4-R320..... | 78 |
| RX-511H-02-P100-L10..... | 102 | RX-520-02-S100-L7..... | 106 | RX-612-50-18..... | 83 | RX-NB-5..... | 77 |
| RX-511H-02-P100-L10T..... | 104 | RX-520-02-S100-L10..... | 106 | RX-620-12-12..... | 60 | RX-NB5-R220..... | 78 |
| RX-511H-02-S100-L7..... | 102 | RX-520-02-S100-L12T..... | 107 | RX-620-12-58..... | 60 | RX-NB5-R221..... | 78 |
| RX-511H-02-S100-L7T..... | 104 | RX-520-02-S113-L7K..... | 106 | RX-620-58-58..... | 60 | RX-NB5-R270..... | 78 |
| RX-511H-02-S100-L10..... | 102 | RX-520-02-S113-L10T..... | 107 | RX-621-12-12..... | 59 | RX-NB5-R271..... | 78 |
| RX-511H-02-S100-L10T..... | 104 | RX-520-02-S113-L12T..... | 107 | RX-621-12-58..... | 59 | RX-NB5-R320..... | 78 |
| RX-511H-03-P34-L10T..... | 104 | RX-520-02-S125-L7K..... | 106 | RX-621-58-58..... | 59 | RX-NT-4..... | 77 |
| RX-511H-03-P100-L7..... | 102 | RX-520-02-S125-L10T..... | 107 | RX-621NK-12-12..... | 59 | RX-NT-4.5..... | 77 |
| RX-511H-03-P100-L7T..... | 104 | RX-520-02-S125-L12T..... | 107 | RX-621NK-12-58..... | 59 | RX-NT4.5-R220..... | 79 |
| RX-511H-03-P100-L10..... | 102 | RX-537-01-P12-L3..... | 100 | RX-621NK-58-58..... | 59 | RX-NT4.5-R221..... | 79 |
| RX-511H-03-P100-L10T..... | 104 | RX-537-01-P12-L5..... | 100 | RX-621NN-12-12..... | 59 | RX-NT4.5-R270..... | 79 |
| RX-511H-03-S100-L7..... | 102 | RX-537-01-P38-L3..... | 100 | RX-621NN-12-58..... | 59 | RX-NT4.5-R271..... | 79 |
| RX-511H-03-S100-L7T..... | 104 | RX-537-01-P38-L5..... | 100 | RX-621NN-58-58..... | 59 | RX-NT4.5-R320..... | 79 |
| RX-511H-03-S100-L10..... | 102 | RX-537-01-P58-L3..... | 100 | RX-621SNK-12-12..... | 59 | RX-NT4-R220..... | 79 |
| RX-511H-03-S100-L10T..... | 104 | RX-537-01-P58-L5..... | 100 | RX-621SNK-12-58..... | 59 | RX-NT4-R221..... | 79 |
| RX-511H-04-P100-L7..... | 102 | RX-537-01-S12-L3..... | 100 | RX-621SNK-58-58..... | 59 | RX-NT4-R270..... | 79 |
| RX-511H-04-P100-L7T..... | 104 | RX-537-01-S12-L5..... | 100 | RX-621SNN-12-12..... | 59 | RX-NT4-R271..... | 79 |
| RX-511H-04-P100-L10..... | 102 | RX-537-01-S38-L3..... | 100 | RX-621SNN-12-58..... | 59 | RX-NT4-R320..... | 79 |
| RX-511H-04-S100-L7..... | 102 | RX-537-01-S58-L3..... | 100 | RX-621SNN-58-58..... | 59 | RX-NT-5..... | 77 |
| RX-511H-04-S100-L7T..... | 104 | RX-537-01-S58-L5..... | 100 | RX-641-K-12..... | 27 | RX-NT5-R220..... | 79 |
| RX-511H-04-S100-L10..... | 102 | RX-538..... | 110 | RX-641-K-58..... | 27 | RX-NT5-R221..... | 79 |
| RX-511H-04-S100-L10T..... | 104 | RX-552-B12..... | 98 | RX-641-N-12..... | 27 | RX-NT5-R270..... | 79 |

| | | | | | | | |
|-----------------------|----|------------------------|----|-----------------------|----|---------------------|----|
| RX-NT5-R271 | 79 | RX-RH-20-BK-MP51618-15 | 86 | RX-RH-30-BK-MPM10-50 | 88 | RX-SSF-10 | 1 |
| RX-NT5-R320 | 79 | RX-RH-20-BK-MP51618-20 | 86 | RX-RH-30-BK-MPM12-20 | 88 | RX-SSF-12 | 1 |
| RX-P2X2BC-20 | 66 | RX-RH-20-BK-MP51618-30 | 86 | RX-RH-30-BK-MPM12-30 | 88 | RX-SSF-20 | 1 |
| RX-P7GAHD-10 | 63 | RX-RH-20-BK-MP51618-40 | 86 | RX-RH-30-BK-MPM12-40 | 88 | RX-SSFS-10 | 10 |
| RX-P14BC-20 | 63 | RX-RH-20-BK-MP51618-50 | 86 | RX-RH-30-BK-MPM12-50 | 88 | RX-SSF-SD-8 | 3 |
| RX-P14TBC-20 | 64 | RX-RH-20-BK-MPM8-15 | 88 | RX-RH-30-BK-MPM12-60 | 88 | RX-SSF-SD-10 | 3 |
| RX-P18BC-10 | 64 | RX-RH-20-BK-MPM8-20 | 88 | RX-RH-30-BK-MS3816-30 | 86 | RX-SSF-SD-12 | 3 |
| RX-P18CC-10 | 65 | RX-RH-20-BK-MPM8-30 | 88 | RX-RH-30-BK-MS3816-40 | 86 | RX-SSF-SD-20 | 3 |
| RX-P38BC-20 | 64 | RX-RH-20-BK-MPM8-40 | 88 | RX-RH-30-BK-MS3816-50 | 86 | RX-SSFS-ULF-10 | 10 |
| RX-P204-250 | 64 | RX-RH-20-BK-MPM8-50 | 88 | RX-RH-30-BK-MSM10-20 | 88 | RX-SSLTS-1.0X.38-10 | 61 |
| RX-P316TBC-20 | 63 | RX-RH-20-BK-MS51618-15 | 86 | RX-RH-30-BK-MSM10-30 | 88 | RX-SSM-8 | 2 |
| RX-P813-10 | 16 | RX-RH-20-BK-MS51618-20 | 86 | RX-RH-30-BK-MSM10-40 | 88 | RX-SSM-10 | 2 |
| RX-P813F-10 | 16 | RX-RH-20-BK-MS51618-30 | 86 | RX-RH-30-BK-MSM12-30 | 88 | RX-SSM-12 | 2 |
| RX-P1520BC-20 | 66 | RX-RH-20-BK-MS51618-40 | 86 | RX-RH-30-BK-MSM12-40 | 88 | RX-SSM-20 | 2 |
| RX-P2510NBC-20 | 67 | RX-RH-20-BK-MS51618-50 | 86 | RX-RH-30-BK-MSM12-50 | 88 | RX-SSMS-10 | 11 |
| RX-P2520NBC-20 | 67 | RX-RH-20-BK-MSM8-15 | 88 | RX-RH-30-OR-FP1213 | 87 | RX-SSM-SD-8 | 4 |
| RX-P5010BC-10 | 66 | RX-RH-20-BK-MSM8-20 | 88 | RX-RH-30-OR-FP3816 | 87 | RX-SSM-SD-10 | 4 |
| RX-P5015BC-20 | 67 | RX-RH-20-BK-MSM8-30 | 88 | RX-RH-30-OR-FP51618 | 87 | RX-SSM-SD-12 | 4 |
| RX-P58115BC-10 | 66 | RX-RH-20-BK-MSM8-40 | 88 | RX-RH-30-OR-FS1213 | 87 | RX-SSM-SD-20 | 4 |
| RX-RH-10-BK-FP1032 | 87 | RX-RH-20-BK-MSM8-50 | 88 | RX-RH-30-OR-FS3816 | 87 | RX-SSMS-ULF-10 | 11 |
| RX-RH-10-BK-FP1420 | 87 | RX-RH-20-OR-FP51618 | 87 | RX-RH-30-OR-FS51618 | 87 | RX-SSR-8 | 1 |
| RX-RH-10-BK-FPM5 | 89 | RX-RH-20-OR-FSM6 | 89 | RX-RH-30-OR-FSM10 | 89 | RX-SSR-10 | 1 |
| RX-RH-10-BK-FPM6 | 89 | RX-RH-20-OR-FSM8 | 89 | RX-RH-30-OR-MP1213-30 | 86 | RX-SSR-12 | 1 |
| RX-RH-10-BK-FS1420 | 87 | RX-RH-20-OR-MP51618-20 | 86 | RX-RH-30-OR-MP3816-30 | 86 | RX-SSR-20 | 1 |
| RX-RH-10-BK-FSM5 | 89 | RX-RH-20-OR-MP51618-30 | 86 | RX-RH-30-OR-MP3816-40 | 86 | RX-SSRS-10 | 10 |
| RX-RH-10-BK-FSM6 | 89 | RX-RH-20-OR-MP51618-40 | 86 | RX-RH-30-OR-MP3816-50 | 86 | RX-SSRS-12 | 10 |
| RX-RH-10-BK-MP1024-20 | 86 | RX-RH-20-OR-MP51618-50 | 86 | RX-RH-30-OR-MS3816-20 | 86 | RX-SSRS-20 | 10 |
| RX-RH-10-BK-MP1032-15 | 86 | RX-RH-20-OR-MPM8-20 | 88 | RX-RH-30-OR-MS3816-30 | 86 | RX-SSR-SD-8 | 3 |
| RX-RH-10-BK-MP1032-20 | 86 | RX-RH-20-OR-MPM8-30 | 88 | RX-RH-30-OR-MS3816-40 | 86 | RX-SSR-SD-10 | 3 |
| RX-RH-10-BK-MP1420-20 | 86 | RX-RH-20-OR-MPM8-40 | 88 | RX-RH-30-OR-MS3816-50 | 86 | RX-SSR-SD-12 | 3 |
| RX-RH-10-BK-MP1420-25 | 86 | RX-RH-20-OR-MS51618-15 | 86 | RX-RH-30-OR-MSM10-30 | 88 | RX-SSR-SD-20 | 3 |
| RX-RH-10-BK-MPM5-15 | 88 | RX-RH-20-OR-MS51618-20 | 86 | RX-RH-30-OR-MSM10-50 | 88 | RX-SSRS-SD-10 | 14 |
| RX-RH-10-BK-MPM5-20 | 88 | RX-RH-20-OR-MS51618-30 | 86 | RX-RH-30-OR-MSM12-50 | 88 | RX-SSRS-SD-12 | 14 |
| RX-RH-10-BK-MPM6-15 | 88 | RX-RH-20-OR-MS51618-40 | 86 | RX-RH-40-BK-FP1213 | 87 | RX-SSRS-SD-20 | 14 |
| RX-RH-10-BK-MPM6-20 | 88 | RX-RH-20-OR-MSM8-30 | 88 | RX-RH-40-BK-MP1213-30 | 86 | RX-SSRS-ULF-10 | 10 |
| RX-RH-10-BK-MPM6-25 | 88 | RX-RH-30-BK-FP1213 | 87 | RX-RH-40-BK-MP1213-40 | 86 | RX-SST-1.00-8 | 5 |
| RX-RH-10-BK-MPM6-30 | 88 | RX-RH-30-BK-FP3816 | 87 | RX-RH-40-BK-MP1213-50 | 86 | RX-SST-1.00-10 | 5 |
| RX-RH-10-BK-MS1420-20 | 86 | RX-RH-30-BK-FP51618 | 87 | RX-SB-4 | 77 | RX-SST-1.00-12 | 5 |
| RX-RH-10-BK-MS1420-25 | 86 | RX-RH-30-BK-FPM8 | 89 | RX-SB-4.5 | 77 | RX-SST-1.00-20 | 5 |
| RX-RH-10-BK-MSM6-15 | 88 | RX-RH-30-BK-FPM10 | 89 | RX-SB4.5-R220 | 80 | RX-SST-1.00-SD-8 | 8 |
| RX-RH-10-BK-MSM6-20 | 88 | RX-RH-30-BK-FPM12 | 89 | RX-SB4.5-R221 | 80 | RX-SST-1.00-SD-10 | 8 |
| RX-RH-10-BK-MSM6-25 | 88 | RX-RH-30-BK-FS1213 | 87 | RX-SB4.5-R270 | 80 | RX-SST-1.00-SD-12 | 8 |
| RX-RH-10-BK-MSM6-30 | 88 | RX-RH-30-BK-FS3816 | 87 | RX-SB4.5-R271 | 80 | RX-SST-1.00-SD-20 | 8 |
| RX-RH-10-OR-FS1420 | 87 | RX-RH-30-BK-FS51618 | 87 | RX-SB4.5-R3202 | 80 | RX-SST-1.25-8 | 6 |
| RX-RH-10-OR-FSM5 | 89 | RX-RH-30-BK-FSM8 | 89 | RX-SB4-R220 | 80 | RX-SST-1.25-10 | 6 |
| RX-RH-10-OR-MP1420-20 | 86 | RX-RH-30-BK-FSM10 | 89 | RX-SB4-R221 | 80 | RX-SST-1.25-12 | 6 |
| RX-RH-10-OR-MPM6-15 | 88 | RX-RH-30-BK-MP1213-30 | 86 | RX-SB4-R270 | 80 | RX-SST-1.25-20 | 6 |
| RX-RH-10-OR-MS1420-25 | 86 | RX-RH-30-BK-MP1213-40 | 86 | RX-SB4-R271 | 80 | RX-SST-1.25-SD-8 | 8 |
| RX-RH-10-OR-MSM6-30 | 88 | RX-RH-30-BK-MP1213-50 | 86 | RX-SB4-R320 | 80 | RX-SST-1.25-SD-10 | 8 |
| RX-RH-20-BK-FP1420 | 87 | RX-RH-30-BK-MP3816-20 | 86 | RX-SB-5 | 77 | RX-SST-1.25-SD-12 | 8 |
| RX-RH-20-BK-FP51618 | 87 | RX-RH-30-BK-MP3816-30 | 86 | RX-SB5-R220 | 80 | RX-SST-1.25-SD-20 | 8 |
| RX-RH-20-BK-FPM6 | 89 | RX-RH-30-BK-MP3816-40 | 86 | RX-SB5-R221 | 80 | RX-SST-1.60-8 | 6 |
| RX-RH-20-BK-FPM8 | 89 | RX-RH-30-BK-MP3816-50 | 86 | RX-SB5-R270 | 80 | RX-SST-1.60-10 | 6 |
| RX-RH-20-BK-FS51618 | 87 | RX-RH-30-BK-MPM10-20 | 88 | RX-SB5-R271 | 80 | RX-SST-1.60-12 | 6 |
| RX-RH-20-BK-FSM6 | 89 | RX-RH-30-BK-MPM10-30 | 88 | RX-SB5-R320 | 80 | RX-SST-1.60-20 | 6 |
| RX-RH-20-BK-FSM8 | 89 | RX-RH-30-BK-MPM10-40 | 88 | RX-SSF-8 | 1 | RX-SST-1.60-SD-8 | 9 |

| | | | |
|--------------------------|----|-----------------------------|----|
| RX-SST-1.60-SD-10..... | 9 | RX-ST5-R271..... | 81 |
| RX-SST-1.60-SD-12..... | 9 | RX-ST5-R320..... | 81 |
| RX-SST-1.60-SD-20..... | 9 | RX-VF-CR4.5-SS-0325-38..... | 82 |
| RX-SST-2.25-8..... | 7 | RX-VF-CR4.5-SS-0400-38..... | 82 |
| RX-SST-2.25-10..... | 7 | RX-VF-CR4.5-SS-0450-38..... | 82 |
| RX-SST-2.25-12..... | 7 | RX-VF-CR4.5-SS-0600-38..... | 82 |
| RX-SST-2.25-20..... | 7 | RX-VF-CR4.5-SS-0750-38..... | 82 |
| RX-SST-2.25-SD-8..... | 9 | RX-VF-CR4-SS-0325-38..... | 82 |
| RX-SST-2.25-SD-10..... | 9 | RX-VF-CR4-SS-0325-516..... | 82 |
| RX-SST-2.25-SD-12..... | 9 | RX-VF-CR4-SS-0400-38..... | 82 |
| RX-SST-2.25-SD-20..... | 9 | RX-VF-CR4-SS-0400-516..... | 82 |
| RX-SST-.75-10..... | 5 | RX-VF-CR4-SS-0450-38..... | 82 |
| RX-SST-.75-20..... | 5 | RX-VF-CR4-SS-0450-516..... | 82 |
| RX-SST-.75-SD-10..... | 7 | RX-VF-CR4-SS-0600-38..... | 82 |
| RX-SST-.75-SD-20..... | 7 | RX-VF-CR4-SS-0600-516..... | 82 |
| RX-SSTS-1.00-10..... | 12 | RX-VF-CR4-SS-0750-38..... | 82 |
| RX-SSTS-1.00-ULF-10..... | 12 | RX-VF-CR4-SS-0750-516..... | 82 |
| RX-SSTS-1.25-8..... | 13 | RX-VF-CR5-SS-0325-38..... | 82 |
| RX-SSTS-1.25-10..... | 13 | RX-VF-CR5-SS-0325-516..... | 82 |
| RX-SSTS-1.25-12..... | 13 | RX-VF-CR5-SS-0400-38..... | 82 |
| RX-SSTS-1.25-20..... | 13 | RX-VF-CR5-SS-0400-516..... | 82 |
| RX-SSTS-1.25-SD-8..... | 15 | RX-VF-CR5-SS-0450-38..... | 82 |
| RX-SSTS-1.25-SD-10..... | 15 | RX-VF-CR5-SS-0450-516..... | 82 |
| RX-SSTS-1.25-SD-12..... | 15 | RX-VF-CR5-SS-0600-38..... | 82 |
| RX-SSTS-1.25-SD-20..... | 15 | RX-VF-CR5-SS-0600-516..... | 82 |
| RX-SSTS-1.25-ULF-10..... | 13 | RX-VF-CR5-SS-0750-38..... | 82 |
| RX-SSTS-1.60-10..... | 13 | RX-VF-CR5-SS-0750-516..... | 82 |
| RX-SSTS-1.60-ULF-10..... | 13 | S0764UL653783U..... | 61 |
| RX-SSTS-2.25-10..... | 14 | S0825UL654513U..... | 65 |
| RX-SSTS-2.25-ULF-10..... | 14 | | |
| RX-SSWF-8..... | 2 | | |
| RX-SSWF-10..... | 2 | | |
| RX-SSWF-12..... | 2 | | |
| RX-SSWF-20..... | 2 | | |
| RX-SSWFS-10..... | 11 | | |
| RX-SSWF-SD-8..... | 4 | | |
| RX-SSWF-SD-10..... | 4 | | |
| RX-SSWF-SD-12..... | 4 | | |
| RX-SSWF-SD-20..... | 4 | | |
| RX-SSWFS-ULF-10..... | 11 | | |
| RX-ST-4..... | 78 | | |
| RX-ST-4.5..... | 78 | | |
| RX-ST4.5-R220..... | 81 | | |
| RX-ST4.5-R221..... | 81 | | |
| RX-ST4.5-R270..... | 81 | | |
| RX-ST4.5-R271..... | 81 | | |
| RX-ST4.5-R320..... | 81 | | |
| RX-ST4-R220..... | 81 | | |
| RX-ST4-R221..... | 81 | | |
| RX-ST4-R270..... | 81 | | |
| RX-ST4-R271..... | 81 | | |
| RX-ST4-R320..... | 81 | | |
| RX-ST-5..... | 78 | | |
| RX-ST5-R220..... | 81 | | |
| RX-ST5-R221..... | 81 | | |
| RX-ST5-R270..... | 81 | | |

Why Choose Rexnord?

When it comes to providing highly engineered products that improve productivity and efficiency for industrial applications worldwide, Rexnord is the most reliable in the industry. Commitment to customer satisfaction and superior value extend across every business function.

Delivering Lowest Total Cost of Ownership

The highest quality products are designed to help prevent equipment downtime and increase productivity and dependable operation.

Valuable Expertise

An extensive product offering is accompanied by global sales specialists, customer service and maintenance support teams, available anytime.

Solutions to Enhance Ease of Doing Business

Commitment to operational excellence ensures the right products at the right place at the right time.

REXNORD

Rexnord Company Overview

Rexnord is a growth-oriented, multi-platform industrial company with leading market shares and highly trusted brands that serve a diverse array of global end markets.

Process & Motion Control

The Rexnord Process & Motion Control platform designs, manufactures, markets and services specified, highly engineered mechanical components used within complex systems where our customers' reliability requirements and the cost of failure or downtime are extremely high.

Water Management

The Rexnord Water Management platform designs, procures, manufactures and markets products that provide and enhance water quality, safety, flow control and conservation.